

**PLEASE CHECK WWW.MOLEX.COM FOR LATEST PART INFORMATION**

**Part Number:** [120109-5002](#)  
**Status:** **Active**  
**Overview:** [industrial ethernet solutions](#)  
**Description:** Ultra-Lock® (M12) Ethernet Receptacle, 4 Poles, FPM M16, Female (Straight), , D-Code, 0.050m (1.97") Length

**Documents:**

[Drawing \(PDF\)](#) [RoHS Certificate of Compliance \(PDF\)](#)

**General**

Product Family	Industrial Receptacles
Series	<a href="#">120109</a>
IP Rating	IP67
NEMA Rating	NEMA 6
Overview	<a href="#">industrial ethernet solutions</a>
Product Name	Ultra-Lock® (M12)
Type	Single Ended (pigtail)
UPC	883906436834

**Physical**

Coupling Type	Internal Thread
Gender	Female
Keyway	D-coded
Length	0.050m
Material - Component	Nickel-plated Brass
Mounting Thread Size	M16 x 1.5
Net Weight	19.143/g
Orientation	Straight
Panel Mount	N/A
Poles	4
Temperature Range - Operating	N/A
Wire Size AWG	22
Wire/Cable Type	N/A

**Electrical**

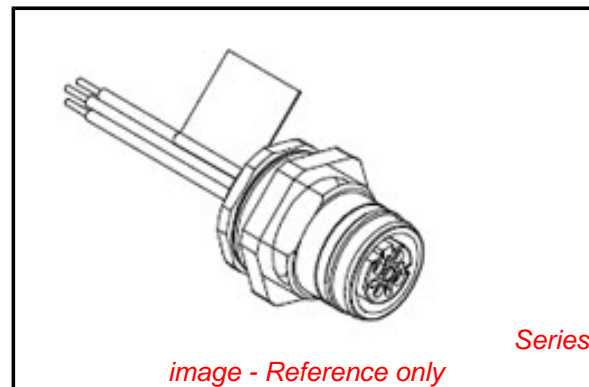
Current - Maximum per Contact	4A
Voltage - Maximum	250V

**Material Info**

Old Part Number	ERWAAU7000C050
-----------------	----------------

**Reference - Drawing Numbers**

Sales Drawing	SD-120109-002
---------------	---------------



*image - Reference only*

**EU RoHS**

**RoHS Compliant by Exemption**

**REACH SVHC**

Not Reviewed

**Low-Halogen Status**

**Not Low-Halogen**

**China RoHS**



**Need more information on product environmental compliance?**

Email [productcompliance@molex.com](mailto:productcompliance@molex.com)  
 For a multiple part number RoHS Certificate of Compliance, [click here](#)

Please visit the [Contact Us](#) section for any non-product compliance questions.

**Search Parts in this Series**

120109Series

**Mates With**

Ultra Lock M12 Cordsets