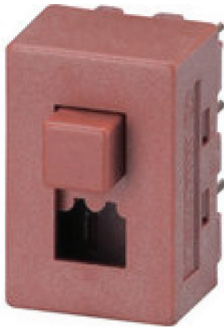


Products

LF series | LF double-pole intermediate switch 2 positions 8A pin terminals



PRODUCT CODE: LF24A3000

Wiring diagrams



Terminal type



sample image

Body colour



Actuator colour



Rating

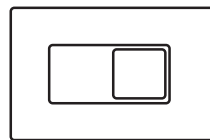
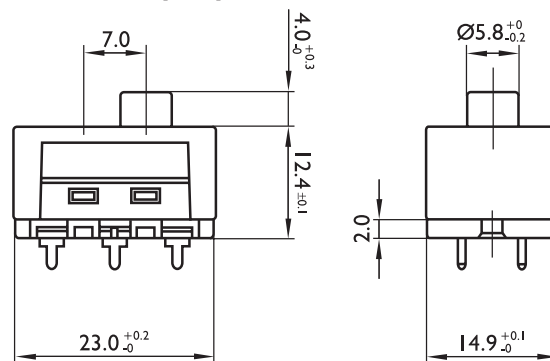
8 (3) A / 250 VAC
T125 °C

8 A / 125 VAC
T65 °C

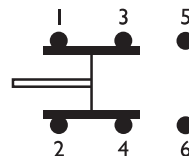
Approvals



Dimensions (mm)



Switch Action



Termination

