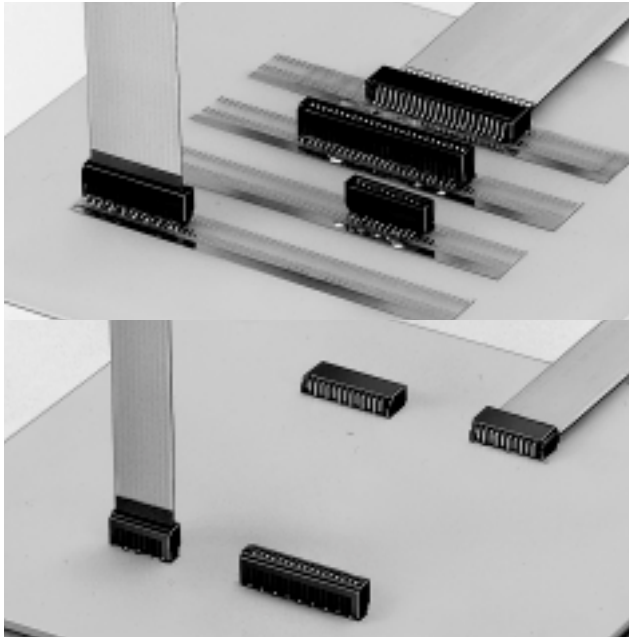


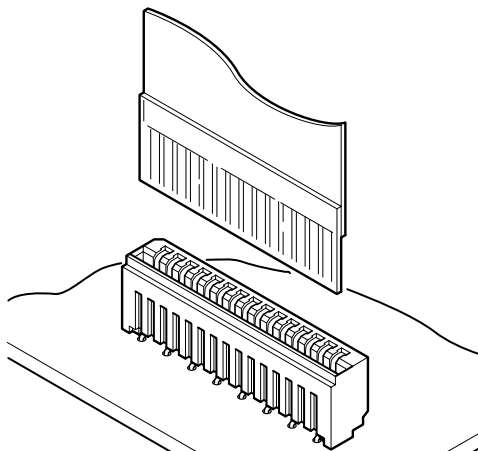
FMN CONNECTOR



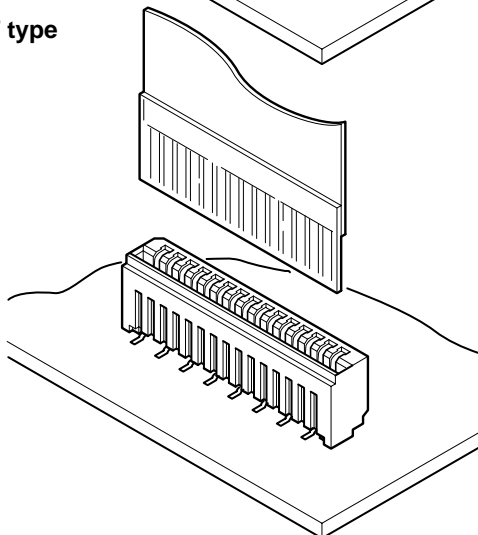
Connectors for FFC



Through-hole type



SMT type



Features

- **Compact**

3.0mm(.118") high <side entry type> and 5.1mm(.201")<top entry type>.

- **Low insertion force**

There are no slides or levers to operate on this recuded insertion force connector. It requires 1/2 the insertion force of JST's conventional FFC connector, but retains stable contact performance when subjected to environmental and mechanical stresses.

- **Both through-hole and SMT types are available**

SMT type connectors have heat-resistant housings so that solder reflow is possible. They also have solder tabs for extra strength.

- **Embossed tape for automatic mounting**

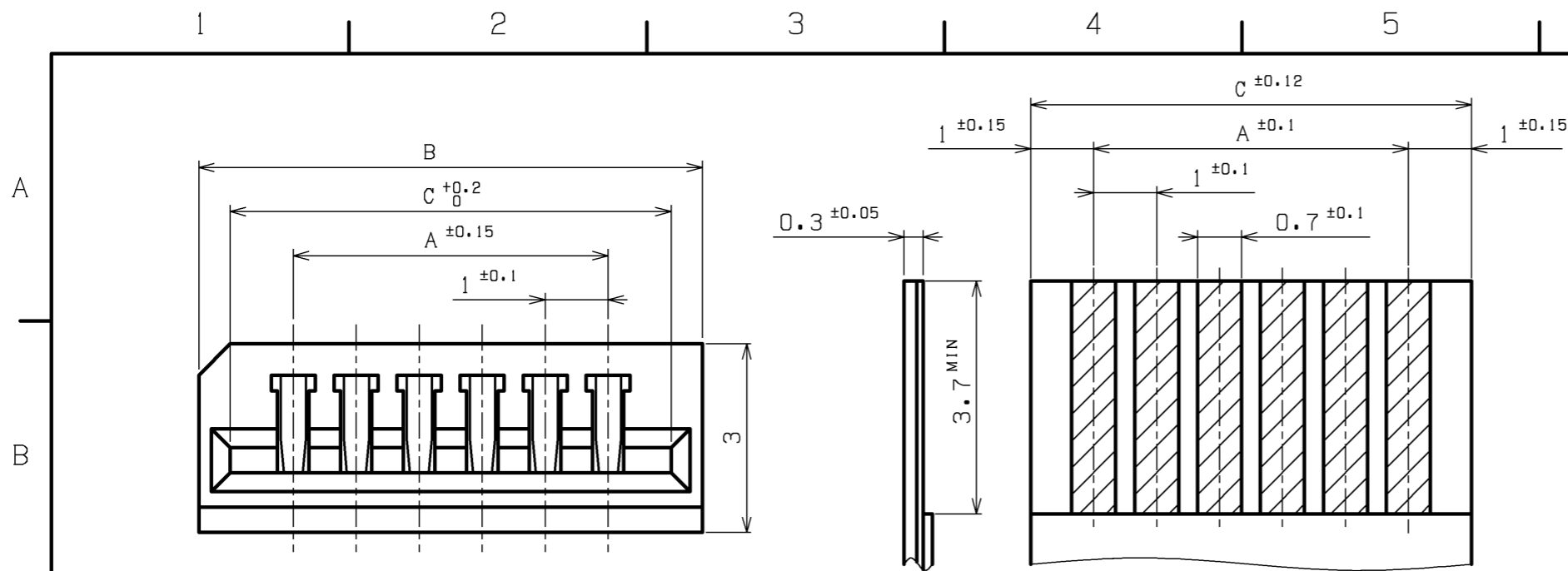
The SMT type FMN connector is supplied in embossed tape packaging, for mounting by automatic placemant machines.

Specifications

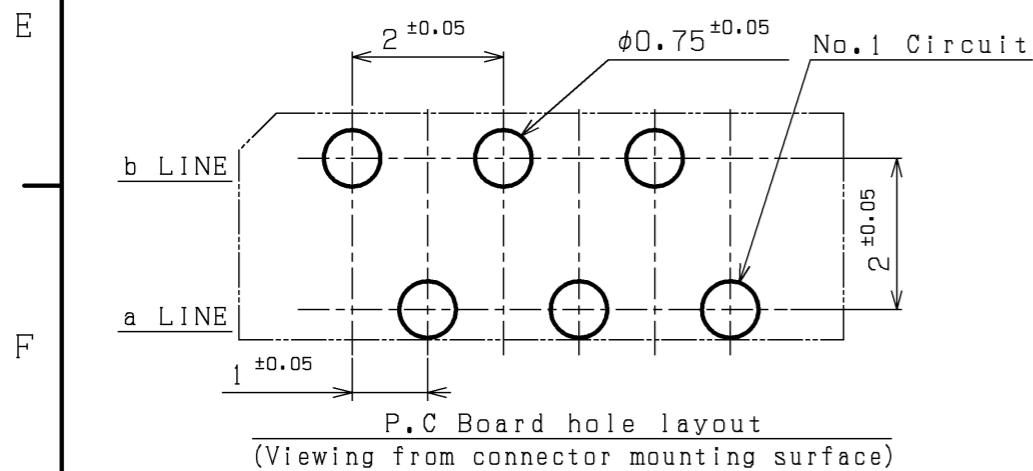
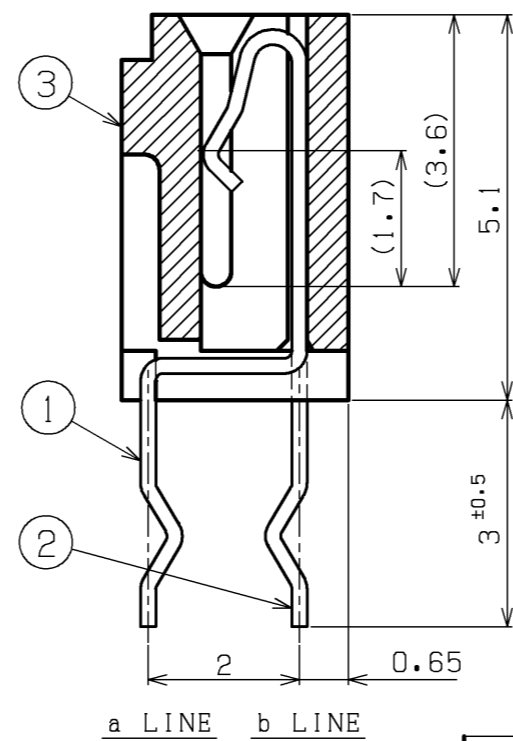
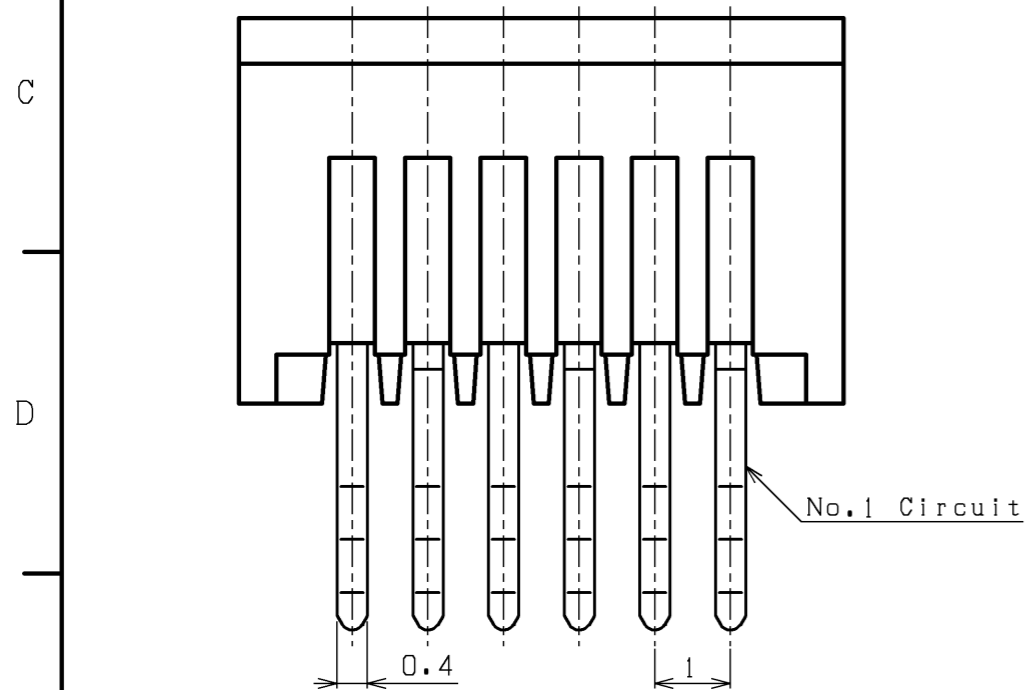
- Current rating: 0.5A DC
- Voltage rating: 50V DC
- Temperature range: -25°C to +85°C
(including temperature rise in applying electrical current)
- Contact resistance: Initial value/30m Ω max.
After environmental testing/50m Ω max.
- Insulation resistance: 500M Ω min.
- Withstanding voltage: 500V AC/minute
- Applicable FFC: Lead pitch /1.0mm(.039")
Lead width /0.7mm(.028")
Mating part thickness /
0.30 ± 0.05mm(.012"± .002")
- Applicable PC board thickness:1.6mm(.063")

<Note>FFC to be actually used should be checked for applicability.

- * Contact JST if Lead-Free product is required.
- * Refer to "General Instruction and Notice when using Terminals and Connectors" at the end of this catalog.
- * Contact JST for details.



Applicable FFC dimensions



REV.	DESCRIPTION	DATE	DESIGNED
△			

NOTE

- Unless otherwise specified, tolerances are $0 < L \leq 3.0 : \pm 0.3$
 $3.0 < L : \pm 0.4$
- P.C.B hole reference point: a-line (No.1 circuit)
Odd number connector is end at a-line
Even number connector is end at b-line
- Material of housing
4 ~ 22 circuits: PBT
23 ~ 40 circuits: PPA

cir-cuits	Dimensions			cir-cuits	Dimensions		
	A	B	C		A	B	C
4	3.0	6.0	5.0	23	22.0	25.0	24.0
5	4.0	7.0	6.0	24	23.0	26.0	25.0
6	5.0	8.0	7.0	25	24.0	27.0	26.0
7	6.0	9.0	8.0	26	25.0	28.0	27.0
8	7.0	10.0	9.0	27	26.0	29.0	28.0
9	8.0	11.0	10.0	28	27.0	30.0	29.0
10	9.0	12.0	11.0	29	28.0	31.0	30.0
11	10.0	13.0	12.0	30	29.0	32.0	31.0
12	11.0	14.0	13.0	31	30.0	33.0	32.0
13	12.0	15.0	14.0	32	31.0	34.0	33.0
14	13.0	16.0	15.0	33	32.0	35.0	34.0
15	14.0	17.0	16.0	34	33.0	36.0	35.0
16	15.0	18.0	17.0	35	34.0	37.0	36.0
17	16.0	19.0	18.0	36	35.0	38.0	37.0
18	17.0	20.0	19.0	37	36.0	39.0	38.0
19	18.0	21.0	20.0	38	37.0	40.0	39.0
20	19.0	22.0	21.0	39	38.0	41.0	40.0
21	20.0	23.0	22.0	40	39.0	42.0	41.0
22	21.0	24.0	23.0				

3	HOUSING	SEE NOTE3		UL94V-0, GRAY		
2	CONTACT	PHOSPHOR BRONZE	COPPER-UNDERPLATED TIN-PLATED	t0.2		
1	CONTACT	PHOSPHOR BRONZE	COPPER-UNDERPLATED TIN-PLATED	t0.2		
No.	PART NAME	MATERIAL	SURFACE FINISH	REMARKS		
SIZE	UNIT	SCALE	PROJECTION	DATE	CUSTOMER	
A3	METRIC	10:1	⊕	NOV.11.2003		
APPROVED	CHECKED	DESIGNED	DRAWN	SERIES NAME	FMN CONNECTOR	
T.N	S.S	M.H	M.Y	PART No.		
J.S.T.MFG.CO., LTD.				DRAWING No.	KRD-32004	RO
				() FMN-BTK-A (LF) (SN)		

THIS DRAWING CONTAINS INFORMATION THAT IS PROPRIETARY TO J.S.T. AND SHOULD NOT BE USED WITHOUT WRITTEN PERMISSION.

EC4109-2