

Housing - HC-B 32-SMQ-72/O2PG29 - 1675049

Please be informed that the data shown in this PDF Document is generated from our Online Catalog. Please find the complete data in the user's documentation. Our General Terms of Use for Downloads are valid (<http://phoenixcontact.com/download>)



Box mounting base, with double locking latch, height: 72 mm, with glands, 2 x Pg29

Key Commercial Data

Packing unit	10 pc
GTIN	 4 017918 149802
Weight per Piece (excluding packing)	508.9 g
Custom tariff number	85389099
Country of origin	Germany
Note	Made to Order (non-returnable)

Technical data

Dimensions

Height	72 mm
Width	81.5 mm
Length	124 mm

Ambient conditions

Degree of protection of housing (IP)	IP65
Ambient temperature (operation)	-40 °C ... 125 °C

General

Note	For contact inserts HC-B32, DD144, M
Type	B32
Housing type	Box mounting bases
Locking type	With double locking latch
No. of cable outlets	2
Cable exit	Lateral
Screw connection	none
Type of the screw connection	2x Pg29
Housing material	Aluminum die-cast
Housing surface material	Powder-coated, gray

Housing - HC-B 32-SMQ-72/O2PG29 - 1675049

Technical data

General

Seal material	NBR
Material lock	Steel, galvanized
Assembly instructions	For half and full screw connections

Classifications

eCl@ss

eCl@ss 4.0	27140816
eCl@ss 4.1	27140816
eCl@ss 5.0	27143424
eCl@ss 5.1	27143424
eCl@ss 6.0	27143424
eCl@ss 7.0	27440209
eCl@ss 8.0	27440202

ETIM

ETIM 2.0	EC000437
ETIM 3.0	EC000437
ETIM 4.0	EC002498
ETIM 5.0	EC000437

UNSPSC

UNSPSC 6.01	30211817
UNSPSC 7.0901	39121416
UNSPSC 11	43172601
UNSPSC 12.01	39121522
UNSPSC 13.2	39121522

Approvals

Approvals

Approvals

EAC

Ex Approvals

Approvals submitted

Housing - HC-B 32-SMQ-72/O2PG29 - 1675049

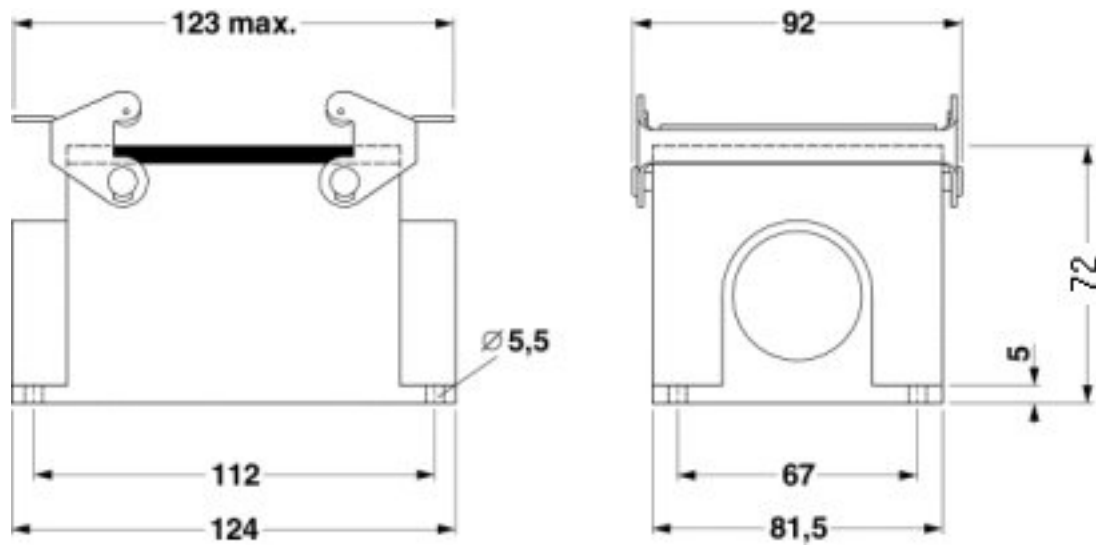
Approvals

Approval details

EAC

Drawings

Dimensional drawing



Dimensional drawing