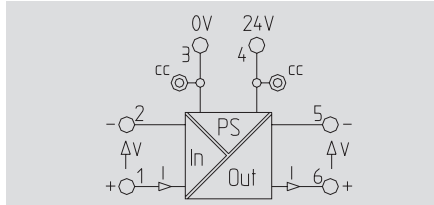
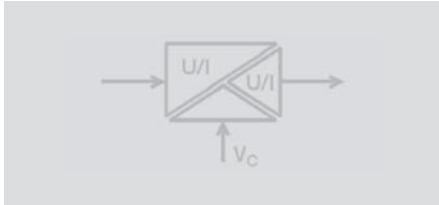
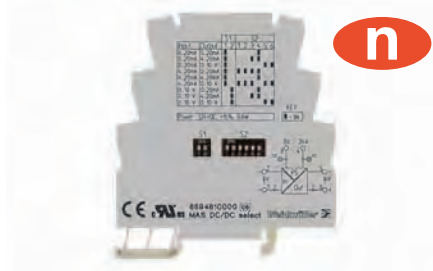


# DC/DC 3-way isolator

## Configurable

- 3-way isolation
- DIP-switch
- Power supply can be cross connected
- Low power loss

## DC/DC select

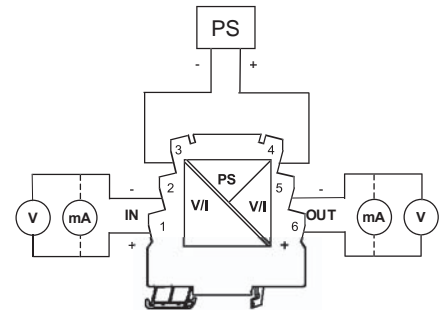


## Switch position/setting options

Input	Output	Switch							
		S1		S2					
		1	2	1	2	3	4	5	6
0 ... 20 mA	0 ... 20 mA	■	□	□	□	□	■	□	□
0 ... 20 mA	4 ... 20 mA	■	□	□	□	□	□	□	□
0 ... 20 mA	0 ... 10 V	■	□	□	□	□	□	□	□
4 ... 20 mA	0 ... 20 mA	■	□	■	■	■	■	□	□
4 ... 20 mA	4 ... 20 mA	■	□	■	□	□	□	□	□
4 ... 20 mA	0 ... 10 V	■	□	■	■	■	■	□	□
0 ... 10 V	0 ... 20 mA	□	■	□	□	□	■	□	□
0 ... 10 V	4 ... 20 mA	□	■	□	□	□	■	□	□
0 ... 10 V	0 ... 10 V	□	■	□	□	□	□	■	■

■ = on  
□ = off

## Connection



## Technical data

### Input

Input voltage/Input current  
Input resistance voltage/Current  
Voltage drop

### Output

Output voltage/Output current  
Load resistance voltage/Current  
Accuracy  
Temperature coefficient  
Cut-off freq. (-3dB)

### General data

Supply voltage  
Power consumption  
Current-carrying cap. of cross-connect.  
Operation temperature  
Storage temperature  
Default settings  
Approvals

### Insulation coordinates

Standards  
EMC standards  
Rated voltage  
Isolation voltage Input, output/  
Overvoltage category  
Pollution severity

0...10 V/0(4)...20 mA  
100 kΩ/  
< 0.1 V at I<sub>in</sub>=20 mA (Current Input)

0...10 V/0(4)...20 mA  
>= 10 kΩ/< = 600 Ω  
< 0.5% of final value  
< 150 ppm/K of final value  
> 100 Hz

24 Vdc +/- 15 %  
approx. 0.6 W  
<= 20 A  
0 °C...+55 °C  
-20 °C...+85 °C  
0...20mA / 0...20mA  
CE / cURus

EN 50178  
DIN EN 61326  
50 V  
500 Veff/  
II  
2

## Dimensions

Clamping range (rating- / min. / max.) mm<sup>2</sup>  
Length x width x height mm

## Information

## Screw connection

2.50 / 0.50 / 2.50  
88.0 x 6.1 x 97.8

## Tension clamp c.

1.50 / 0.50 / 2.50  
92.0 x 6.1 x 97.8

T<sub>u</sub>=23°C, single module

## Ordering data

### Type of connection

Screw connection  
Tension clamp c.

### Type

MAS DC/DC select  
MAZ DC/DC select

### Qty.

10  
1

### Order No.

8594810000  
8594840000

## Information

## Accessories

### Information

Information accessoriesVoltage supply 24V and 0V with ZQV 4N/x cross-connection