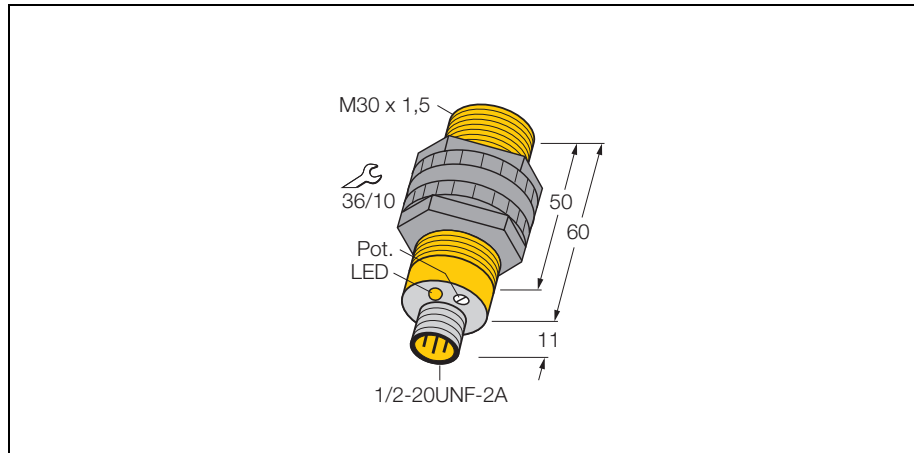


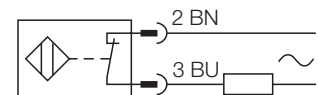
capacitive sensor

BC10-S30-RZ3X-B3131



- threaded barrel, M30 x 1.5
- plastic, PA12-GF30
- fine adjustment via potentiometer
- AC 2-wire, 20...250 VAC
- normally closed
- connector, 1/2"

Wiring diagram



Capacitive proximity switches are designed for non-contact and wear-free detection of metal (electrically conductive) and non-metal (electrically non-conductive) objects.

Type	BC10-S30-RZ3X-B3131
Ident-No.	2310810
Rated operating distance Sn	10 mm, flush mounting
Rated operating distance Sn	15 mm, non-flush mounting
Hysteresis	2... 20 %
Temperature drift	≤ ± 20 %
Repeatability	≤ 2 %
Ambient temperature	-25...+ 70 °C
Operating voltage	20... 250VAC
AC rated operational current	≤ 500 mA
Frequency	50... 60 Hz
Smallest operating current I _m	≥ 5 mA
Residual current	≤ 1.7 mA
Switching frequency	≤ 0.02 kHz
Rated insulation voltage	≤ 1.5 kV
Output function	2-wire, normally closed, 2-wire
Voltage drop at I _e	≤ 7V
Housing	threaded barrel, M30 x 1.5
Dimensions	91 mm
Housing material	plastic, PA12-GF30
Material active face	plastic, PA12-GF30
Tightening torque of housing nut	5 Nm
Connection	connectors, 1/2"
Vibration resistance	55 Hz (1 mm)
Shock resistance	30g (11 ms)
Degree of protection	IP67
Display switch state	LED yellow

capacitive sensor
BC10-S30-RZ3X-B3131

TURCK

Industrial
Automation

Accessories

Type code	Ident-No.	Short text	Dimension drawing
MAP-M30	6950013	mounting adapter; material: Polypropylene; sensor replacement with filled container possible (adapter remains in container during sensor replacement)	
BST-30B	6947216	fixing clamp with dead-stop; material: PA6	