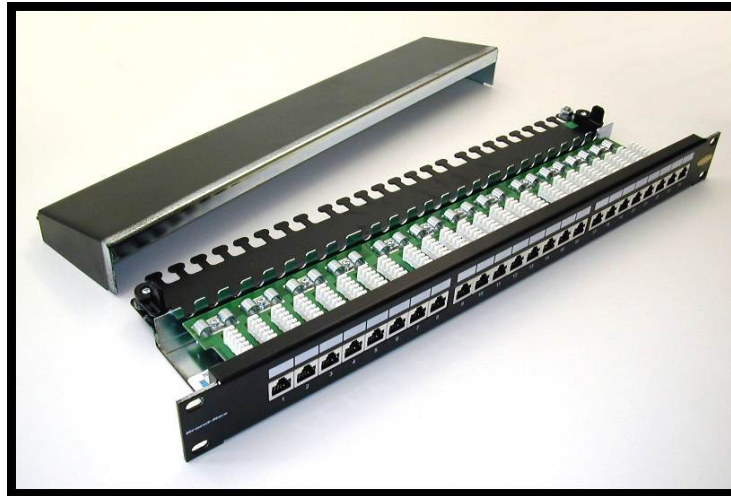


## CAT6Plus Screened Panels



The Brand-Rex CAT6Plus 19" rack mounted patch panel offers true Category 6 component performance using a new patented contact pin array design. All panels are backward compatible. The modular jacks that are used in blocks of 8 are individually screened to give superior shielding. In addition to this, each panel has been designed with a cable management/strain relief feature built in to the rear. All outlets are numerically identified with an additional writeable surface for ease of port naming. Each panel is supplied with cable ties, panel mounting accessories and short form installation instruction.

Catalogue/Part No.	Description
C6CPNLF160K2M	16 way screened Panel, LSA Style Black
C6CPNLF160K8M	16 way screened Panel, LSA Style Grey
C6CPNLF240K2M	24 way screened Panel, LSA Style Black
C6CPNLF240K8M	24 way screened Panel, LSA Style Grey

Panel Type:	483mm (19") rack mountable fitting
Panel Height:	1U (44.45mm)
Panel Depth:	132mm
Outlet Style:	Unkeyed RJ45
Outlets:	16 or 24 ports
Colour:	BLACK or RAL 7035 GREY
Punch Down Blocks:	LSA style Insulation Displacement Connectors (IDC)
Wiring Standard:	EIA/TIA 568A & EIA/TIA 568B
Conformance:	Category 6 compliant ANSI/EIA/TIA 568-B.2-1

CAT6Plus cables and components have been designed to work together configured as a channel. Contact a Millennium partner or Brand-Rex for details of how to obtain a CAT6Plus system warranty.

Datasheet No.		G35706		© Brand-Rex Limited		Additional Details		
Rev	Date	Initials	Amendment					
5	28.11.02	RWP	Rev E panel introduced, new template					
6	01/11/03	JMW	Panel revision amended to rev F			Action	Name	Date
7	02/03/04	JMW	Panel revision amended to rev G			Issued By	G E Waite	30/03/04
8	30/03/04	GEW	Revised format			Reviewed By	J M Walinck	30/03/04

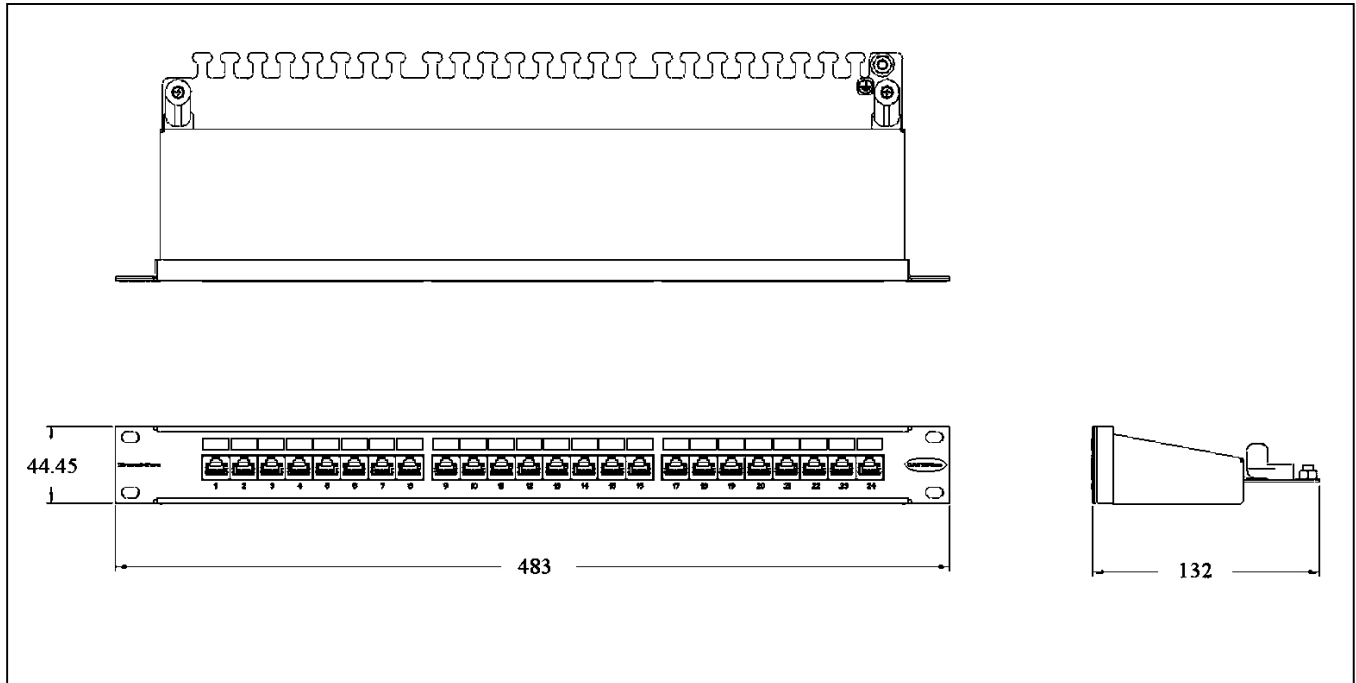
**Headquarters and Registered Offices**

**Viewfield Industrial Estate, Glenrothes, Fife, KY6 2RS, Scotland**  
**Tel: +44 (0) 1592 772124 Fax: +44 (0) 1592 775314**

**West Bridgewater Street, Leigh, Lancashire, WN7 4HB, England**  
**Tel: +44 (0) 1942 265500 Fax: +44 (0) 1942 265576**

This drawing is the exclusive property of Brand-Rex Limited and must not be copied or reproduced in any way whatsoever without the express consent in writing of Brand-Rex Limited. The drawing is to be used only for the purpose for which it is supplied and must be returned on demand. The contents of the drawing must moreover be treated as strictly confidential and must not be disclosed to any third party without the express consent in writing of Brand-Rex Limited.

## Panel Dimensions:



### Modular Jack

- Patented contact pin array design  
UK Patent Application No. GB0222891.4
- All ports are individually screened
- Contact material: Phosphor Bronze
- Contact Plating: 50 microns of gold over 100 microns of nickel
- Body Material: PBT UL 94V-0
- Shielding Material: Tin plated brass

