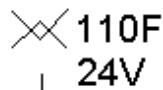


Specification Status: Released

Maximum Electrical Rating

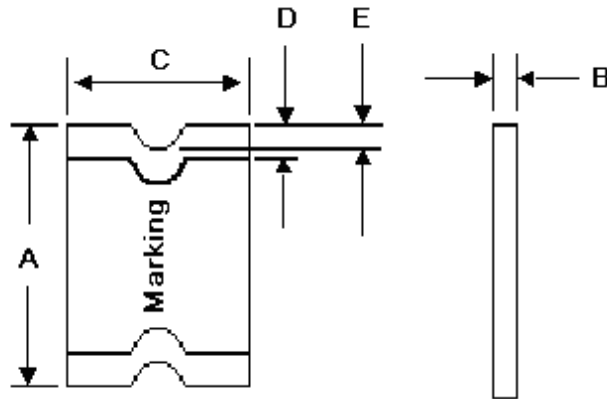
Voltage: 24V_{DC}
Short Circuit Current: 20A
Notes:

1. All terminations are tin plated.
2. Drawing not to scale

Marking:


PART IDENTIFICATION

MANUFACTURER'S MARK


TABLE I. DIMENSIONS:

	A		B		C		D		E
	MIN	MAX	MIN	MAX	MIN	MAX	MIN	MAX	MIN
mm:	4.37	4.83	0.81	1.46	3.07	3.41	0.25	0.95	0.20
in:	(0.172)	(0.190)	(0.032)	(0.057)	(0.121)	(0.134)	(0.010)	(0.040)	(0.008)

TABLE II. PERFORMANCE RATINGS:

CURRENT RATINGS**						TIME TO TRIP**	RESISTANCE VALUES		TRIPPED-STATE POWER DISSIPATION**
AMPERES AT 0°C		AMPERES AT 20°C		AMPERES AT 60°C		SECONDS AT 20°C, 8.0A	OHMS AT 20°C		WATTS AT 20°C, 24V
HOLD	TRIP	HOLD	TRIP	HOLD	TRIP	MAX	MIN	MAX*	MAX
1.4	2.8	1.1	2.2	0.8	1.6	0.5	0.060	0.180	0.8

* Maximum resistance is measured 1 hour after reflow

** Values Specified were determined using PCB's with 0.030"X1.5 ounce copper traces.

Agency Recognitions: UL, CSA, TÜV

Reference Documents: PS300

Precedence:

This specification takes precedence over documents referenced herein.

Effectivity:

Reference documents shall be the issue in effect on the date of invitation for bid.

CAUTION:

Operation beyond the rated voltage or current may result in rupture, electrical arcing or flame.

Materials Information

ROHS Compliant

 Directive 2002/95/EC
Compliant

ELV Compliant

 Directive 2000/53/EC
Compliant

Pb-Free

Halogen Free*


* Halogen Free refers to: Br≤900ppm, Cl≤900ppm, Br+Cl≤1500ppm