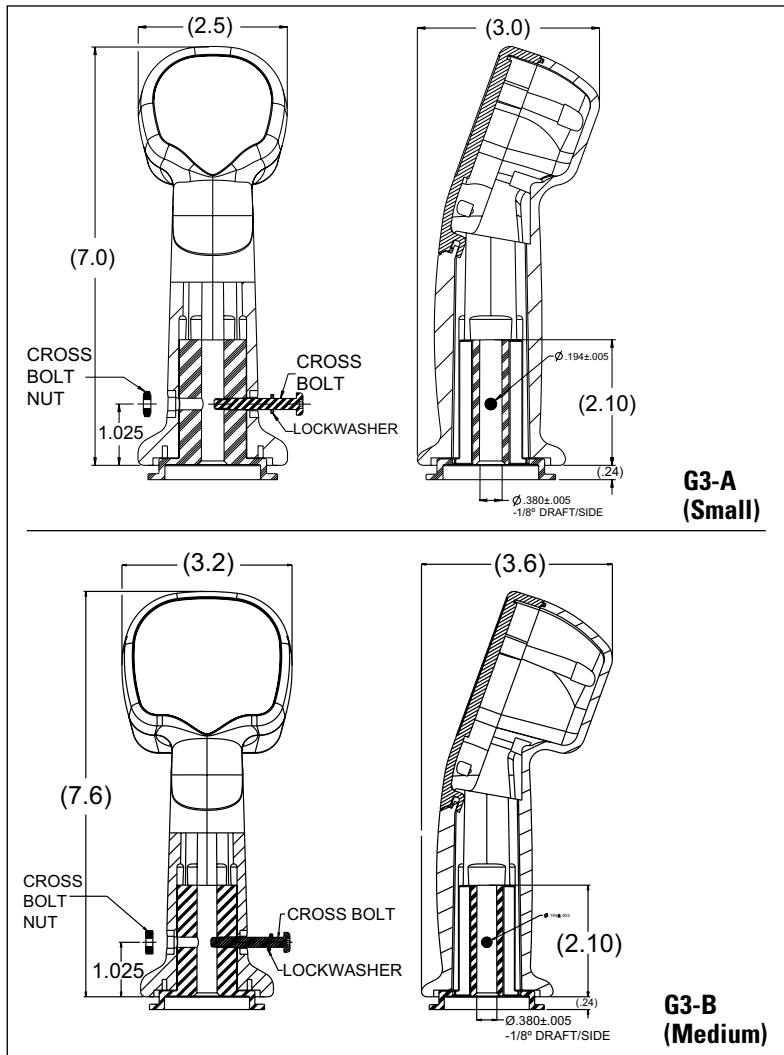


MODULAR DESIGN

The G3 Universal Grips can be customized for top-of-the-line machines requiring high switch content, or to provide only basic control functions on lower tier units. The OTTO G3 Universal Grips have a modular design and were developed for use with OTTO's standard pushbuttons, rockers, toggles, Hall effect switches and the JH and JHM series Hall effect joystick. Both the Small Universal Grip and the Medium Universal Grip are easily customized with multiple switch configurations, quickly and without tooling charges.

- **Modular design eliminates the need for tooling charges**
- **Compatible with the OTTO JH and JHM series Hall effect Joysticks**
- **Small & medium sizes available**
- **Accommodates a full line of pushbutton, rocker, toggle, HP Hall effect & HPL proportional output series of switches**
- **Various mounting & termination options available**
- **Includes mounting adapter with boot ring**



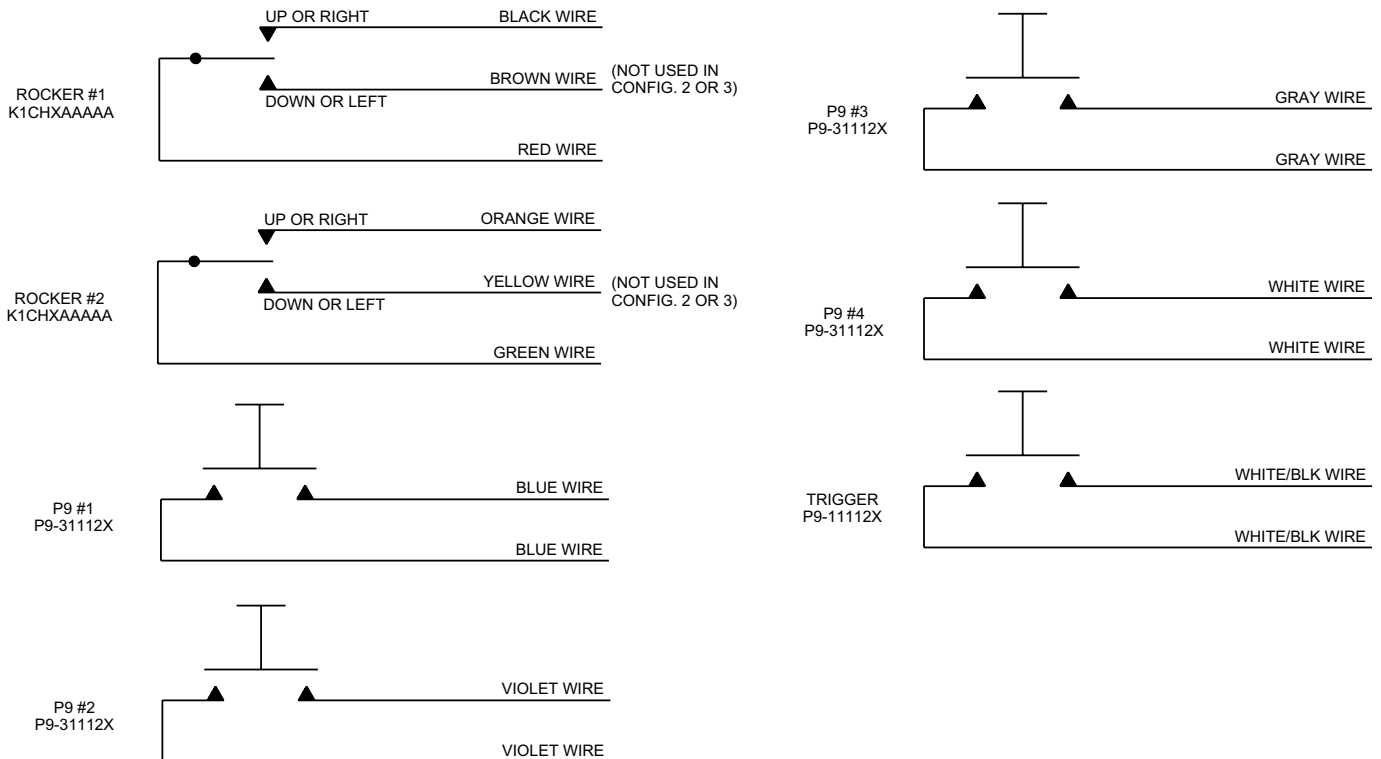
HEAVY EQUIPMENT & MATERIAL HANDLING GRIPS

SMALL UNIVERSAL GRIPS

G3-A PART NUMBER CODE									
G3-A	X	XX	X	X	X	X	X	X	X
Configuration	Switches	Trigger Pushbutton in Handle	K1 Rocker #1 Style - Black *	K1 Rocker #2 Style - Black *	P9 Button #1 Color	P9 Button #2 Color	P9 Button #3 Color	P9 Button #4 Color	P9 Button #4 Color
1. Grip Only	See Configuration Sheet on page 20	1. None 2. Black 3. Red	1. None 2. On-Off 3. On (Mom)-Off 4. On-Off-On 5. On-Off-On (Mom)	1. None 2. On-Off 3. On (Mom)-Off 4. On-Off-On 5. On-Off-On (Mom)	N. None 1. Red 2. Black 3. Orange 4. Yellow 5. Green 6. Blue 7. Violet 8. Gray 9. White	N. None 1. Red 2. Black 3. Orange 4. Yellow 5. Green 6. Blue 7. Violet 8. Gray 9. White	N. None 1. Red 2. Black 3. Orange 4. Yellow 5. Green 6. Blue 7. Violet 8. Gray 9. White	N. None 1. Red 2. Black 3. Orange 4. Yellow 5. Green 6. Blue 7. Violet 8. Gray 9. White	N. None 1. Red 2. Black 3. Orange 4. Yellow 5. Green 6. Blue 7. Violet 8. Gray 9. White

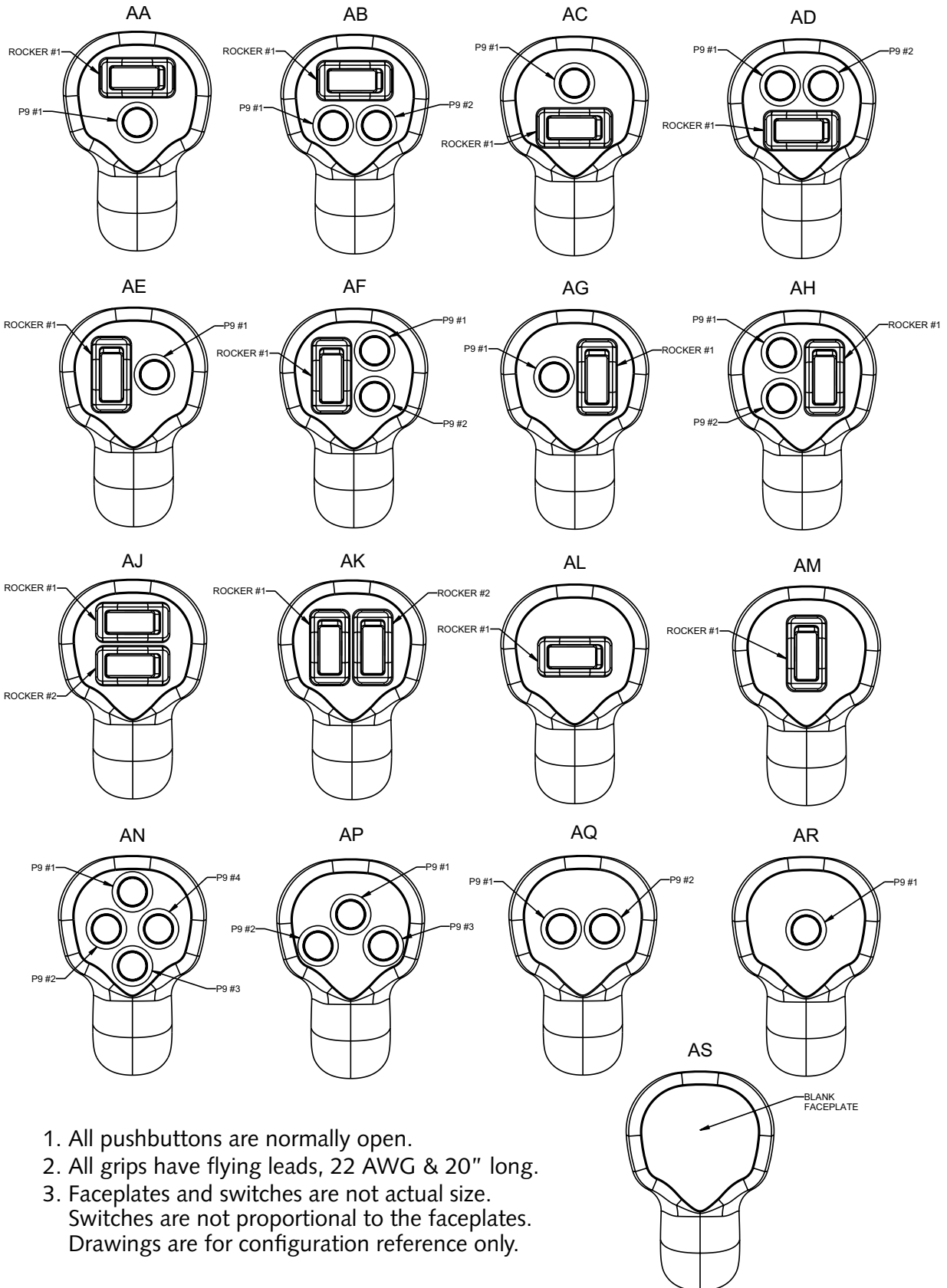
* Contact factory for rocker legends and additional color options.

G3-A SMALL UNIVERSAL GRIPS SCHEMATICS



MODULAR DESIGN

SMALL UNIVERSAL GRIPS SWITCH CONFIGURATIONS



1. All pushbuttons are normally open.
2. All grips have flying leads, 22 AWG & 20" long.
3. Faceplates and switches are not actual size.
Switches are not proportional to the faceplates.
Drawings are for configuration reference only.

MEDIUM UNIVERSAL GRIPS

G3-B PART NUMBER CODE

	G3-B	X	XX	X	X	X	X	X	Part Number Code Continued Below
Configuration	Switches	Trigger Pushbutton in Handle	K1 Rocker #1 Style - Black *	K1 Rocker #2 Style - Black *	K1 Rocker #3 Style - Black *	K1 Rocker #4 Style - Black *			
1. Grip Only	See Configuration Sheet on page 22	1. None 2. Black 3. Red	1. None 2. On-Off 3. On (Mom)-Off 4. On-Off-On 5. On-Off-On (Mom)	1. None 2. On-Off 3. On (Mom)-Off 4. On-Off-On 5. On-Off-On (Mom)	1. None 2. On-Off 3. On (Mom)-Off 4. On-Off-On 5. On-Off-On (Mom)	1. None 2. On-Off 3. On (Mom)-Off 4. On-Off-On 5. On-Off-On (Mom)	1. None 2. On-Off 3. On (Mom)-Off 4. On-Off-On 5. On-Off-On (Mom)		

* Contact factory for rocker legends and additional color options.

G3-B PART NUMBER CODE CONTINUED

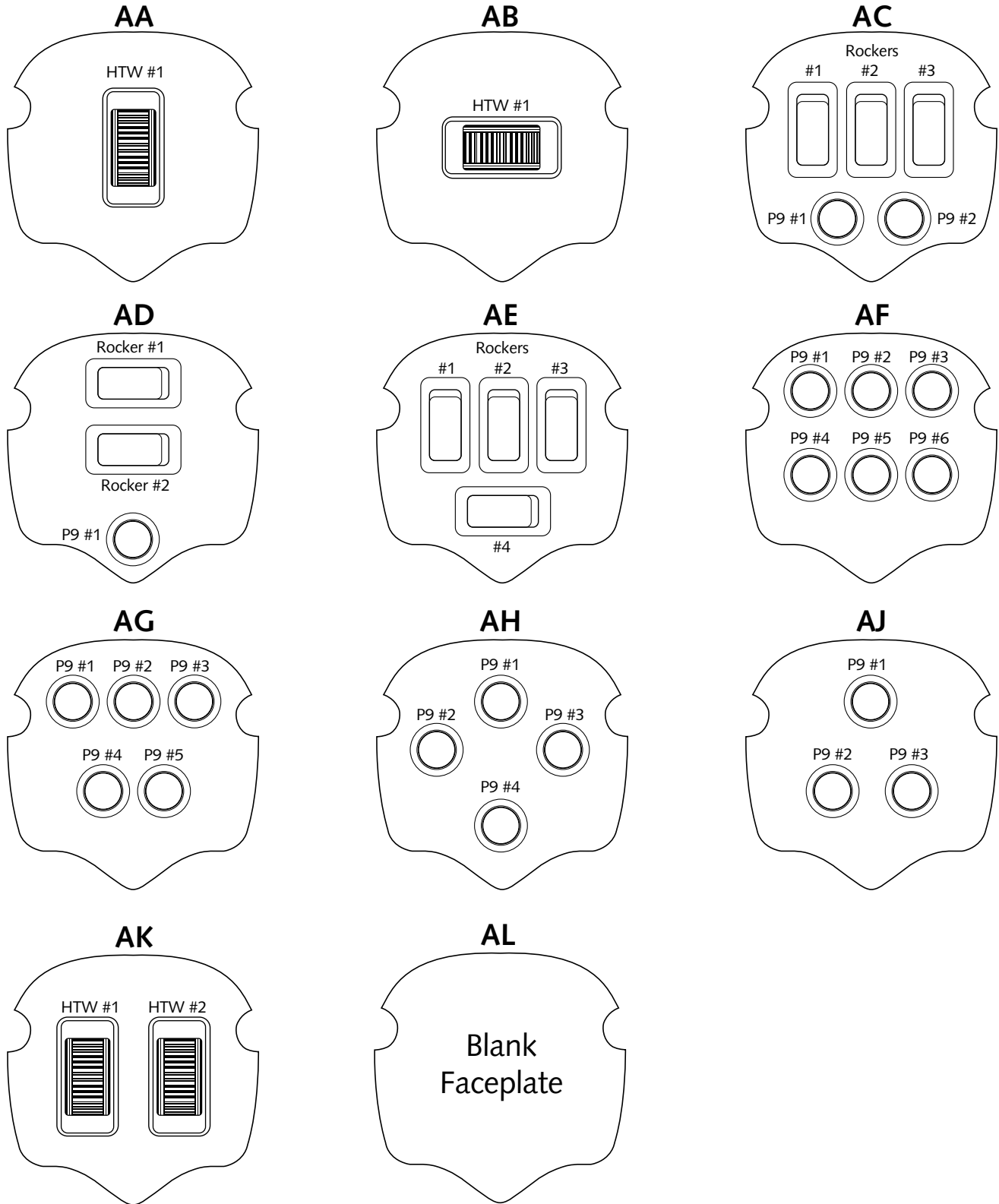
	Cont.	X	X	X	X	X	X	X	X
HTW #1	HTW #2	P9 Button #1 Color	P9 Button #2 Color	P9 Button #3 Color	P9 Button #4 Color	P9 Button #5 Color	P9 Button #6 Color		
1. None 2. Return to Center ¹ 3. Friction ² 4. Return to End ³	1. None 2. Return to Center ¹ 3. Friction ² 4. Return to End ³	N. None 1. Red 2. Black 3. Orange 4. Yellow 5. Green 6. Blue 7. Violet 8. Gray 9. White	N. None 1. Red 2. Black 3. Orange 4. Yellow 5. Green 6. Blue 7. Violet 8. Gray 9. White	N. None 1. Red 2. Black 3. Orange 4. Yellow 5. Green 6. Blue 7. Violet 8. Gray 9. White	N. None 1. Red 2. Black 3. Orange 4. Yellow 5. Green 6. Blue 7. Violet 8. Gray 9. White	N. None 1. Red 2. Black 3. Orange 4. Yellow 5. Green 6. Blue 7. Violet 8. Gray 9. White	N. None 1. Red 2. Black 3. Orange 4. Yellow 5. Green 6. Blue 7. Violet 8. Gray 9. White	N. None 1. Red 2. Black 3. Orange 4. Yellow 5. Green 6. Blue 7. Violet 8. Gray 9. White	

1 = HTW-1A12X22**
2 = HTWF-1A12X22**
3 = HTWE-1A12X22**

** Contact factory for additional options

MODULAR DESIGN

MEDIUM UNIVERSAL GRIPS SWITCH CONFIGURATIONS



Note: Faceplates and switches are not actual size. Switches are not proportional to the faceplates. Drawings are for configuration reference only.

MEDIUM UNIVERSAL GRIPS SCHEMATICS

