

Datasheet

RS Pro 13A 1 Gang Surface Mount Fused Connection Unit

RS Stock No: **768-3510**



Product Details

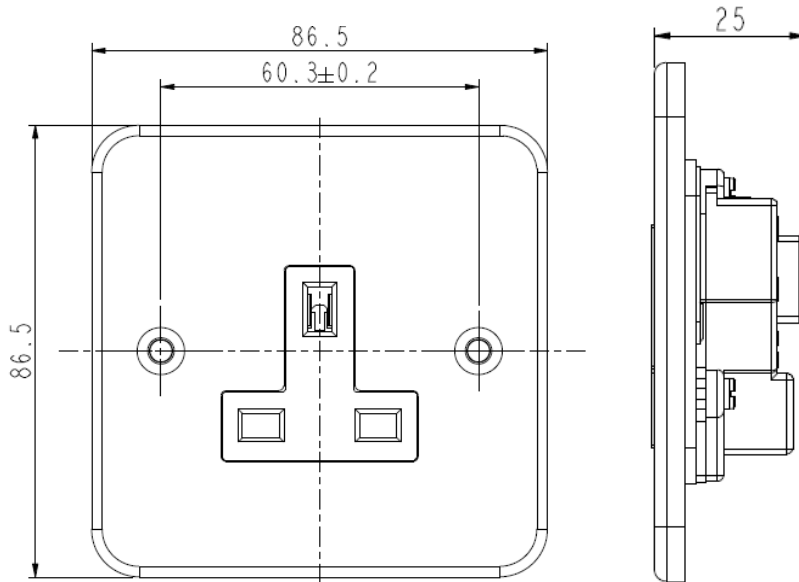
RS Pro 13 A 1-gang surface mount fused connection unit is manufactured from mild steel for durability. The fuse carrier can be locked open to ensure isolation under maintenance. It is suitable for industrial, commercial and workshop applications. The fused connection unit meets BS5733 standards.

Features and Benefits

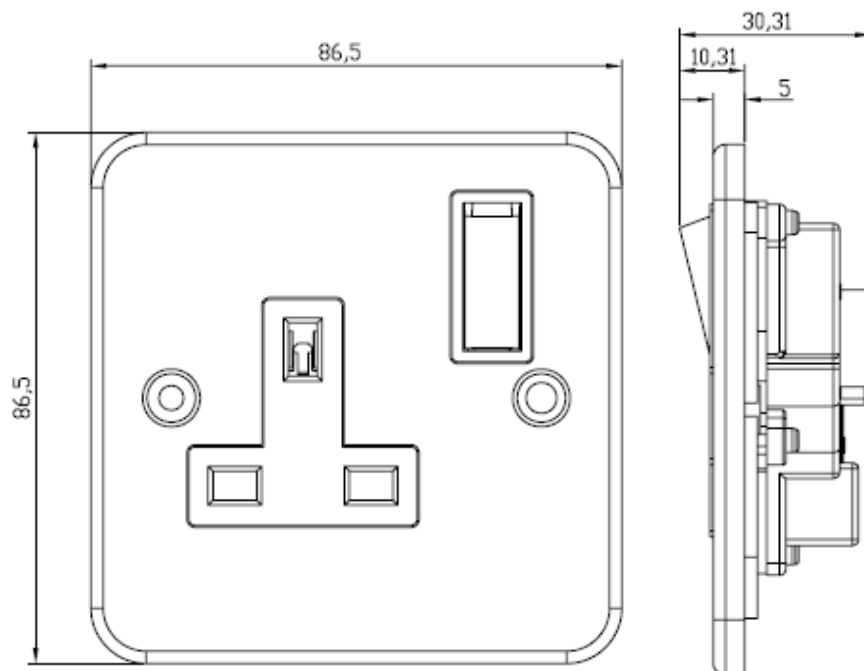
- Made from mild steel
- Ideal for industrial, commercial and workshop applications
- BS5733

**Specifications:**

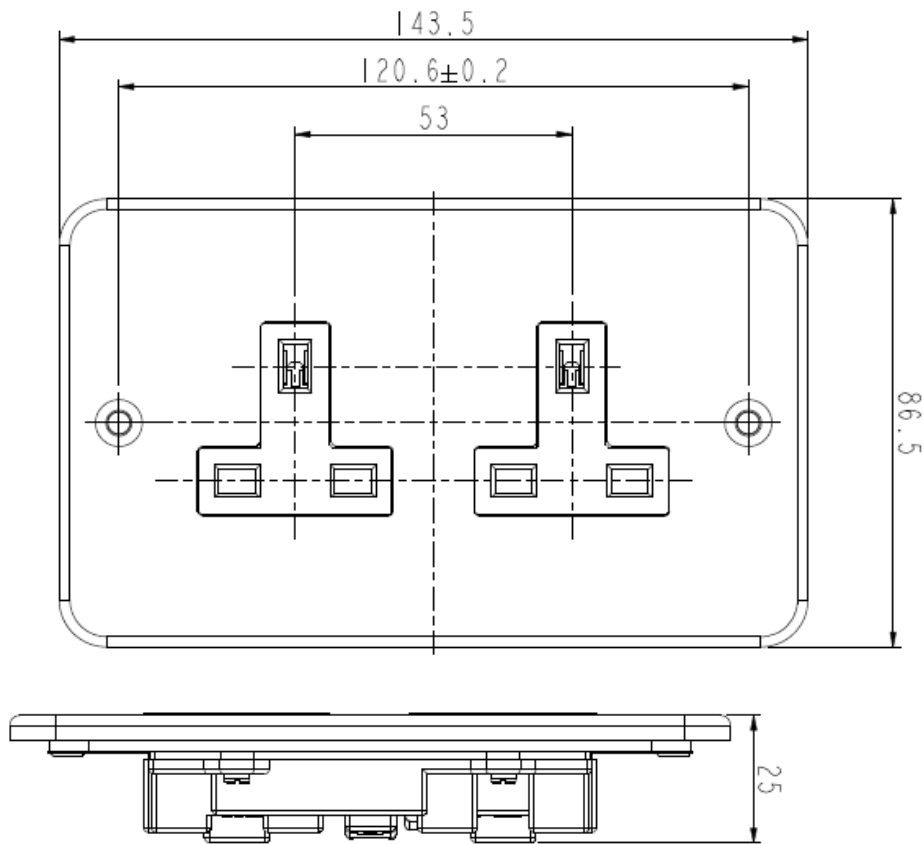
Current Rating	13 A
Depth	25.05 mm
Dimensions (L x W x D)	86.5 x 86.5 x 25.05 mm
Earth Terminal	Yes
Fuse Type	BS 1362
Length	86.5 mm
Minimum Box Depth	25 mm
Mounting Style	Surface Mount
Number of Gangs	1
Number of Poles	2
RCD Type	None
Voltage Rating	250 V ac
Width	86.5 mm



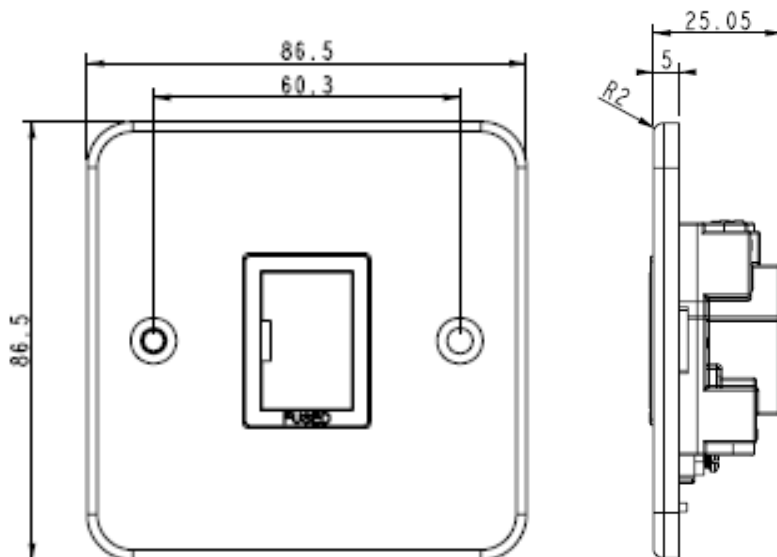
13A METALCLAD SINGLE SOCKET RS Stock No.: 768-3501



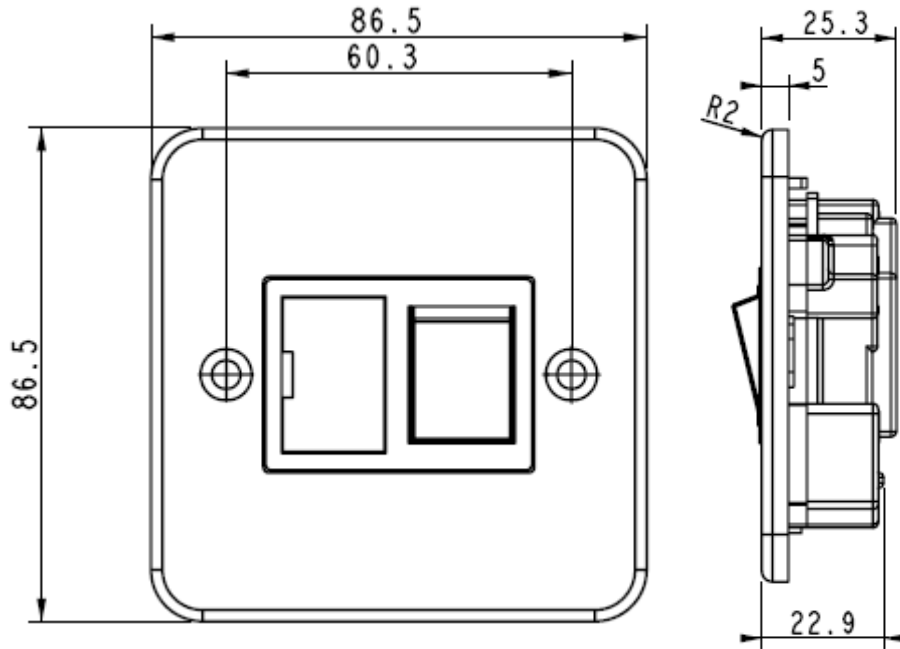
13A METALCLAD SINGLE SWITCHED SOCKET, WHITE INSERT RS Stock No.: 768-3504



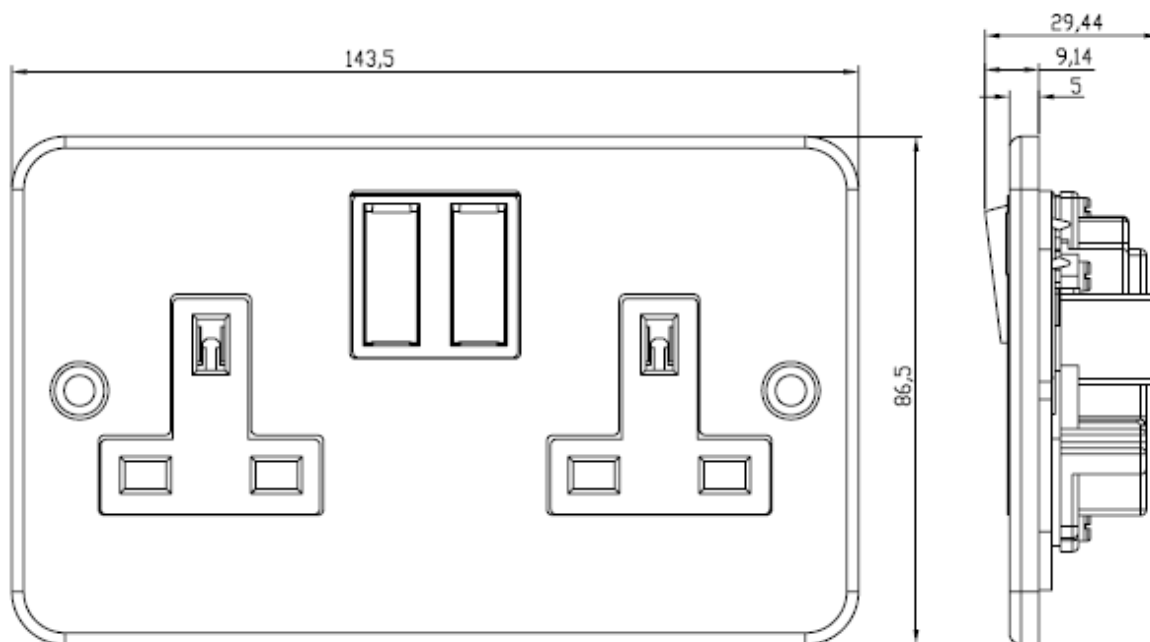
13A METALCLAD TWIN SOCKET RS Stock No.: 768-3508



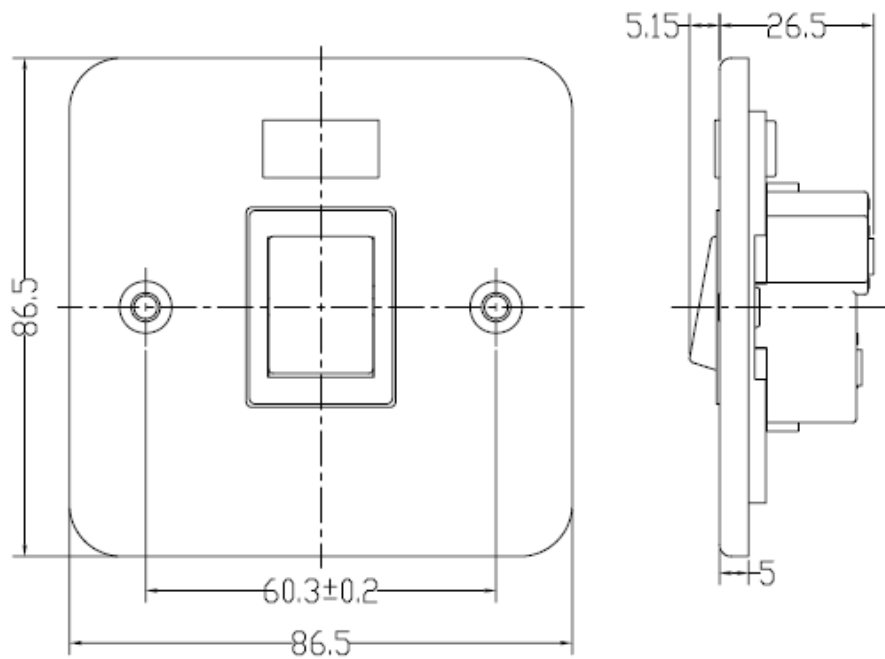
13A METALCLAD FUSED SPUR UNIT RS Stock No.: 768-3510



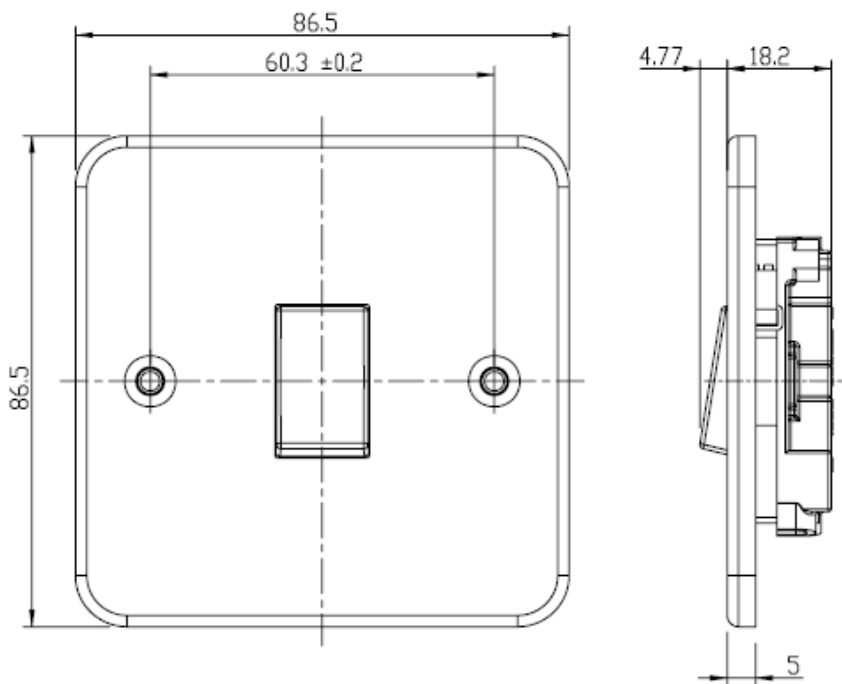
13A METALCLAD FUSED & SWITCHED DP SPUR RS Stock No.: 768-3514



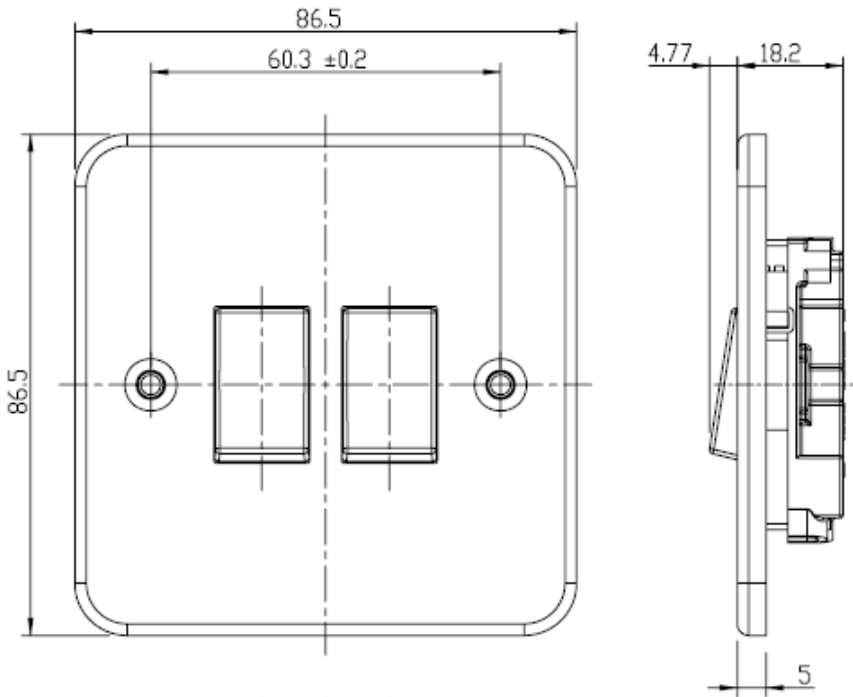
13A METALCLAD TWIN SWITCHED SOCKET RS Stock No: 768-3517



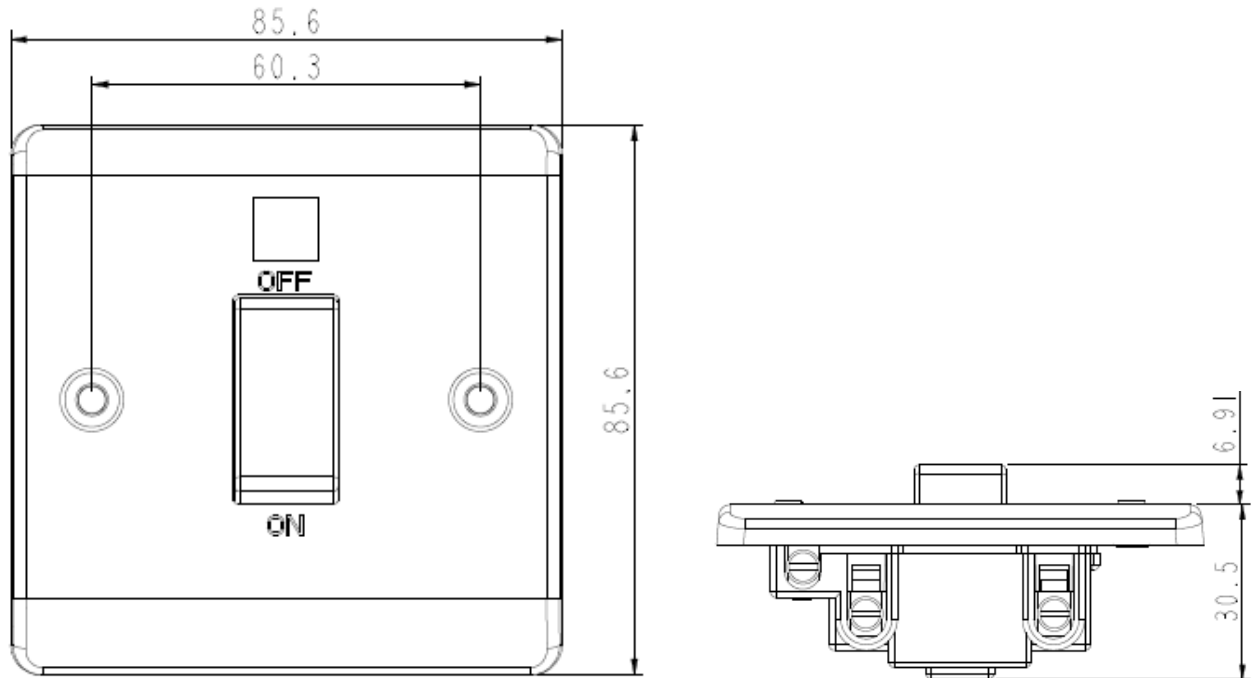
20A DP METALCLAD SWITCH WITH NEON RS Stock No.: 768-3520



1 GANG METALCLAD SWITCH RS Stock No.: 768-3523



2 GANG METALCLAD SWITCH RS Stock No.: 768-3526



45A DP METALCLAD SWITCH WITH NEON RS Stock No.: 768-3539