

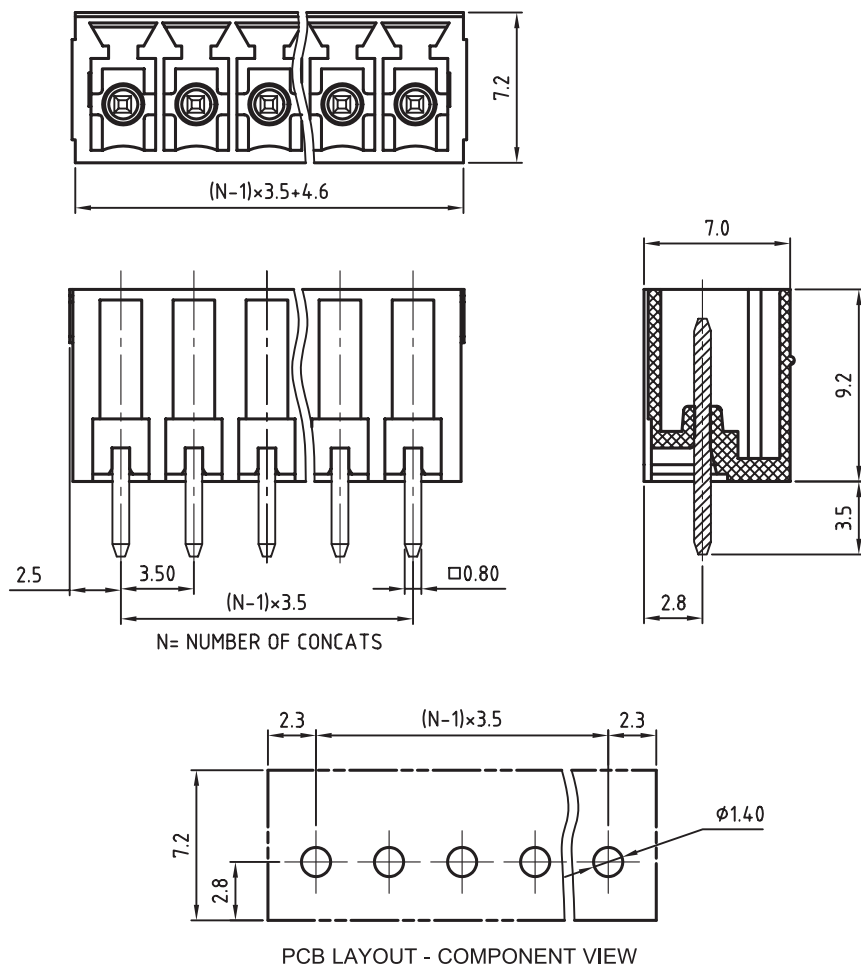
1

2

3

4

5



#### TECHNICAL CHARACTERISTICS

##### MATERIAL

INSULATOR: PA 66  
 FLAMABILITY RATING: UL94-V0  
 COLOR: GREEN  
 CONTACT: BRASS  
 SOLDER TAIL PLATING: TIN

##### ENVIRONMENTAL

OPERATING TEMPERATURE: -40 UP TO 105°C  
 COMPLIANCE: LEAD FREE AND ROHS

##### ELECTRICAL

	cULus	VDE
CURRENT RATING:	10A	10.5A
WORKING VOLTAGE:	300VAC	300VAC
WITHSTANDING VOLTAGE:	1.6KV	2.5KV
CONTACT RESISTANCE: □	20 mOhm max	

##### MECHANICAL

PITCH: 3.5MM

SOLDERING: WAVE PROCESS ONLY

PACKAGING: BOX

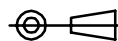
SERIE 3211

CERTIFICATION



RoHS Compliant

PROJECTION:



GENERAL TOLERANCE

.X = +/- 0.2

.XX = +/- 0.15



APPROVAL: RJ

UNIT: MM

SCALE:

SHEET: 1/1

DRAW: MARVIN

DESCRIPTION: SERIE 3211 - 3.50MM VERTICAL PCB HEADER WR-TBL

WERI PART NO: 691 321 100 0xx

SIZE

**A4**

G			
F			
E			
D			
C			
B			
A □	31-OCT-08 □	PDF □ □	JP
REV	DATE	FILE	BY