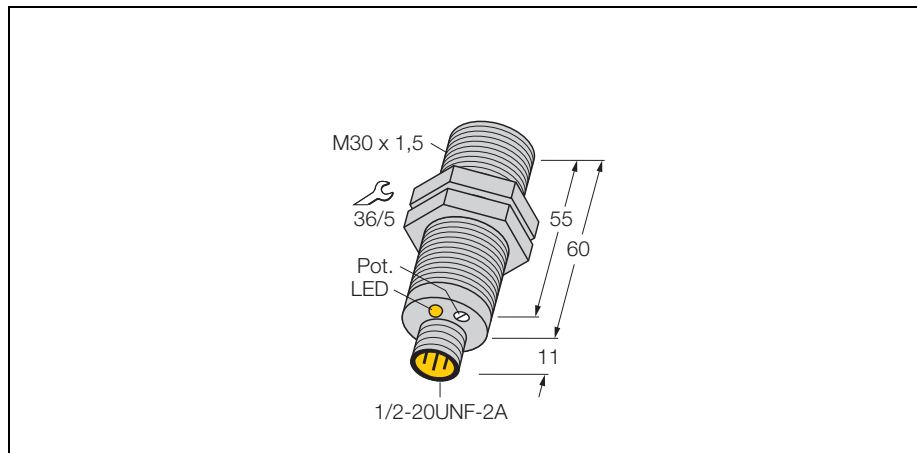


# capacitive sensor BC10-M30K-RZ3X-B3131

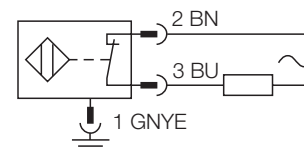
**TURCK**

Industrial  
Automation



- fine adjustment via potentiometer
- AC 2-wire, 20...250 VAC
- normally closed
- connector, 1/2"

## Wiring diagram



Capacitive proximity switches are designed for non-contact and wear-free detection of metal (electrically conductive) and non-metal (electrically non-conductive) objects.

<b>Type</b>	BC10-M30K-RZ3X-B3131
Ident-No.	2503023
<b>Rated operating distance Sn</b>	10 mm, flush mounting
Rated operating distance Sn	10 mm, non-flush mounting
Hysteresis	2... 20 %
Temperature drift	≤ ± 20 %
Repeatability	≤ 2 %
Ambient temperature	-25...+ 70 °C
<b>Operating voltage</b>	20... 250VAC
AC rated operational current	≤ 500 mA
Frequency	50... 60 Hz
Smallest operating current I <sub>m</sub>	≥ 5 mA
Residual current	≤ 1.7 mA
Switching frequency	≤ 0.02kHz
Rated insulation voltage	≤ 1.5 kV
Output function	2-wire, NC, 2-wire
Voltage drop at I <sub>e</sub>	≤ 7V
<b>Housing</b>	threaded barrel, M30 x 1.5
Dimensions	60 mm
Material active face	plastic
Tightening torque of housing nut	25 Nm
Electrical connection	Connectors, 1/2"
Vibration resistance	55 Hz (1 mm)
Shock resistance	30g (11 ms)
Degree of protection	IP67
<b>Display switch state</b>	LED yellow