



SEPARATE STANDARD ACTUATOR FOR POS. W. TUMBLER  
3SE5312../3SE5322.. AND ASI 3SF13... AND POS. WITH  
SEPARATE ACTUATOR 3SE51../3SE52.. AND ASI 3SF11../3SF21..

<b>Product designation</b>	actuator
<b>General technical data:</b>	
<b>Shock resistance</b>	
<ul style="list-style-type: none"> <li>• acc. to IEC 60068-2-27</li> </ul>	30 g / 11 ms
<b>Vibration resistance</b>	
<ul style="list-style-type: none"> <li>• acc. to IEC 60068-2-6</li> </ul>	0.35 mm/5g
<b>Mechanical service life (switching cycles)</b>	
<ul style="list-style-type: none"> <li>• typical</li> </ul>	1 000 000
<b>Equipment marking</b>	
<ul style="list-style-type: none"> <li>• acc. to DIN EN 61346-2</li> </ul>	T
<ul style="list-style-type: none"> <li>• acc. to DIN EN 81346-2</li> </ul>	T
<b>Active principle</b>	mechanical
<b>Drive Head:</b>	
<b>Design of the operating mechanism</b>	Standard actuator, die cast zinc
<b>Ambient conditions:</b>	
<b>Ambient temperature</b>	
<ul style="list-style-type: none"> <li>• during operation</li> </ul>	-25 ... +85 °C
<ul style="list-style-type: none"> <li>• during storage</li> </ul>	-40 ... +90 °C
<b>Installation/ mounting/ dimensions:</b>	
<b>mounting position</b>	any
<b>Mounting type</b>	screw fixing
<b>Certificates/ approvals:</b>	

General Product Approval	Functional Safety/Safety of Machinery	Declaration of Conformity	Test Certificates
--------------------------	---------------------------------------	---------------------------	-------------------



[Type Examination Certificate](#)



[Special Test Certificate](#)

**other**

[Confirmation](#)

**Further information**

**Information- and Downloadcenter (Catalogs, Brochures,...)**

<http://www.siemens.com/industrial-controls/catalogs>

**Industry Mall (Online ordering system)**

<http://www.siemens.com/industrymall>

**Cax online generator**

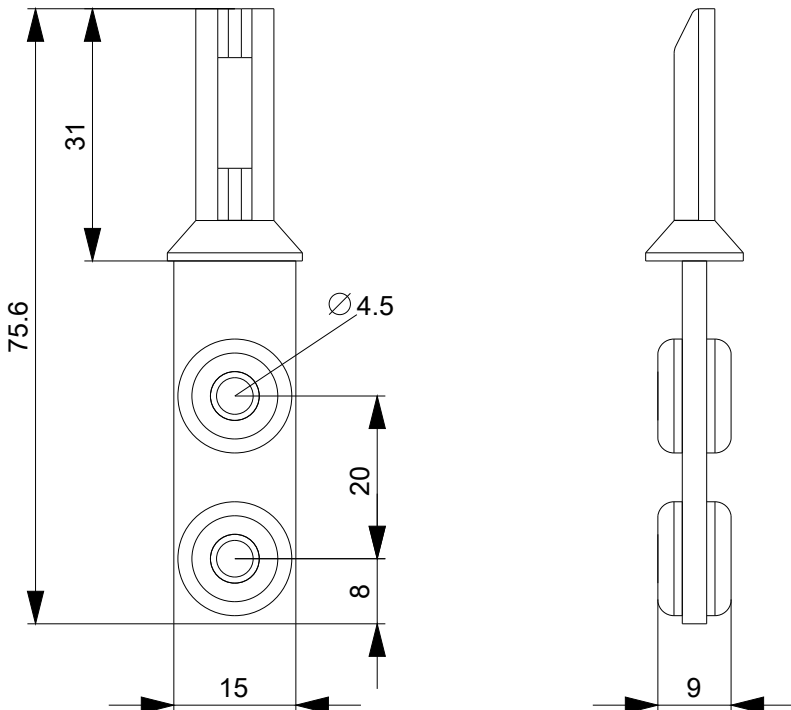
<http://support.automation.siemens.com/WW/CAXorder/default.aspx?lang=en&mfb=3SE50000AV01>

**Service&Support (Manuals, Certificates, Characteristics, FAQs,...)**

<https://support.industry.siemens.com/cs/ww/en/ps/3SE50000AV01>

**Image database (product images, 2D dimension drawings, 3D models, device circuit diagrams, EPLAN macros, ...)**

[http://www.automation.siemens.com/bilddb/cax\\_de.aspx?mfb=3SE50000AV01&lang=en](http://www.automation.siemens.com/bilddb/cax_de.aspx?mfb=3SE50000AV01&lang=en)



**last modified:**

27.04.2015