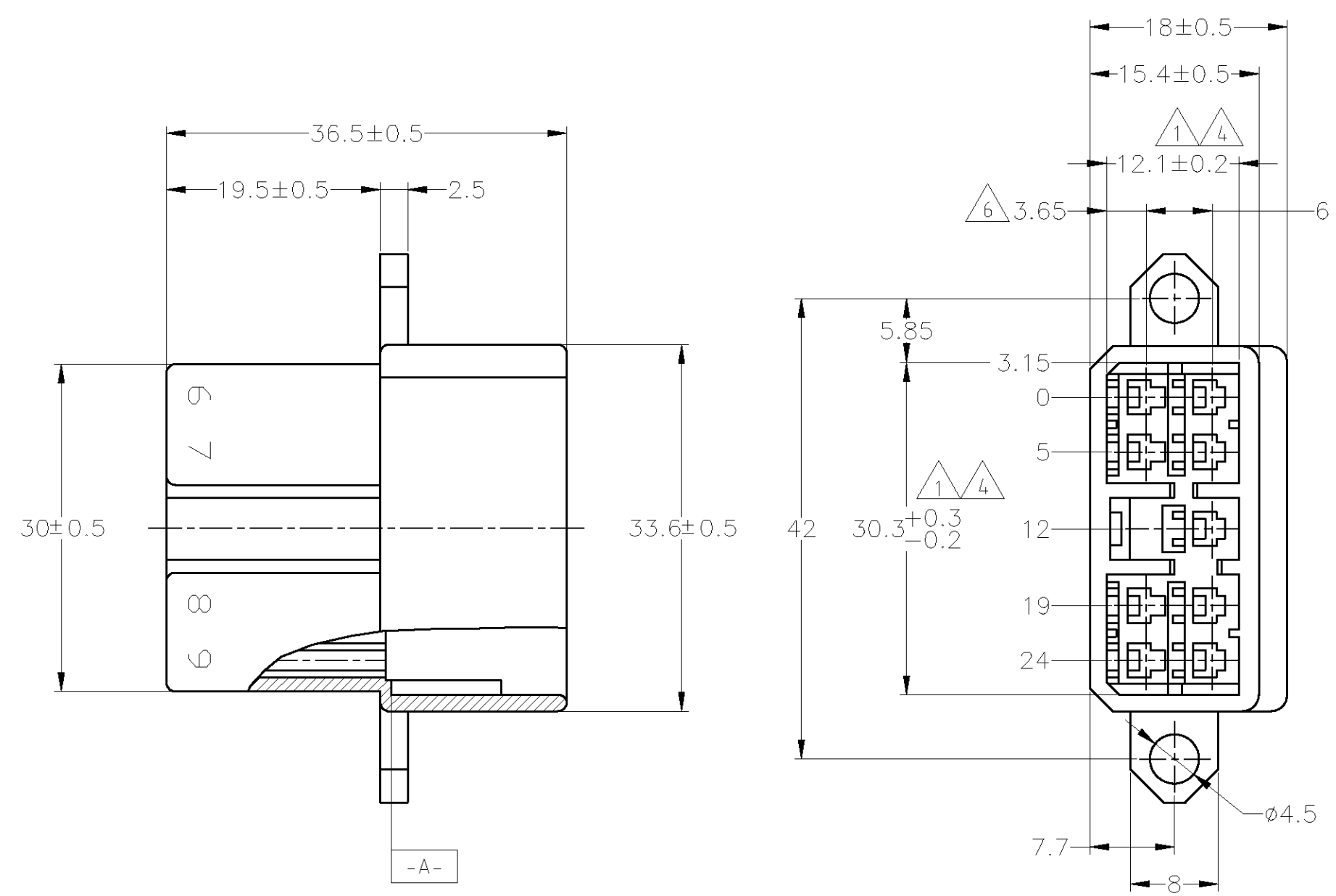
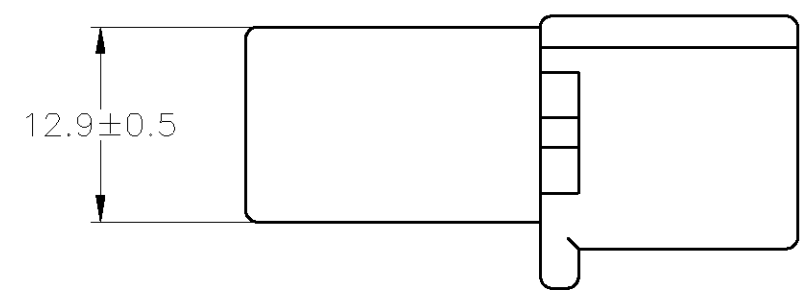


THIS DRAWING IS UNPUBLISHED. RELEASED FOR PUBLICATION
 © COPYRIGHT BY TYCO ELECTRONICS CORPORATION. ALL INTERNATIONAL RIGHTS RESERVED.

LOC	DIST	REVISIONS					
J	—	P	LTR	DESCRIPTION	DATE	DWN	APVD
		C1	REVISED	ECR-10-004036	25FEB10	TS	KB



- ① IN COUPLING WITH THE PLUG HOUSING MATING SATISFIES FUNCTION.
 - 2. APPLIED CONTACT PN 170221, 170222
 - 3. PRODUCT SPEC; 108-5099
 - ④ TO BE MEASURED WITHIN 2mm FROM -A-
 - 5. IN COUPLING WITH THE PLUG HOUSING MATING FORCE 29.4N MAX. WITHOUT RECEPTACLE CONTACTS.
 - ⑥ CENTERLINE OF CONTACT
- ① 相手ハウジングと所定の機能を満たして嵌合出来ること。
 - 2. 使用コンタクトは型番170221及び170222, その他。
 - 3. 製品規格; 108-5099
 - ④ -A- 面より2mmの範囲で測定。
 - 5. 相手ハウジングとの嵌合力は29.4N以下但しコンタクトは含まない。
 - ⑥ コンタクトセンター迄の距離



OBSELETE	GRAY	172096-6
	BLUE	172096-5
OBSELETE	GREEN	172096-4
	BLACK	172096-2
	NATURAL	172096-1
	COLOR	PART NUMBER

GENERAL TOLERANCE

10 ≥	: ±0.2
30 ≥ > 10	: ±0.25
100 ≥ > 30	: ±0.3
ANGLE	: ±3°

THIS DRAWING IS A CONTROLLED DOCUMENT.		DWN T.SHINOHARA 20JAN05	Tyco Electronics Corporation Kawasaki, Japan	
DIMENSIONS: 単位: 耗 mm		CHK K.BETSUI 20JAN05	NAME 名称	
TOLERANCES UNLESS OTHERWISE SPECIFIED: 一般公差		APVD K.BETSUI 20JAN05	MULTI-INTERLOCK CONNECTOR W TO W 9 POSITION CAP HOUSING WITH FLANGE	
0 PLC ±-		PRODUCT SPEC 製品規格	SIZE	CAGE CODE
1 PLC ±-		SEE NOTE 3	A3	00779
2 PLC ±-		APPLICATION SPEC 取付適用規格	DRAWING NO 番号	RESTRICTED TO
3 PLC ±-		—	C-172096	—
4 PLC ±-		WEIGHT -	SCALE 尺度	SHEET 1 OF 1
ANGLES ±-		CUSTOMER DRAWING	2:1	REV C1
MATERIAL 材料 66 NYLON				
FINISH 仕上 -				