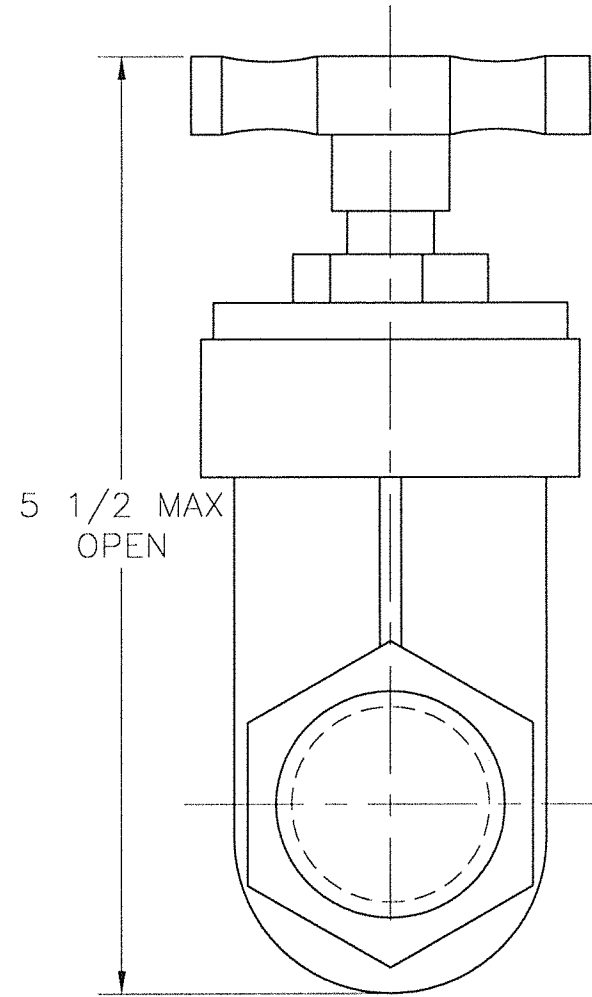
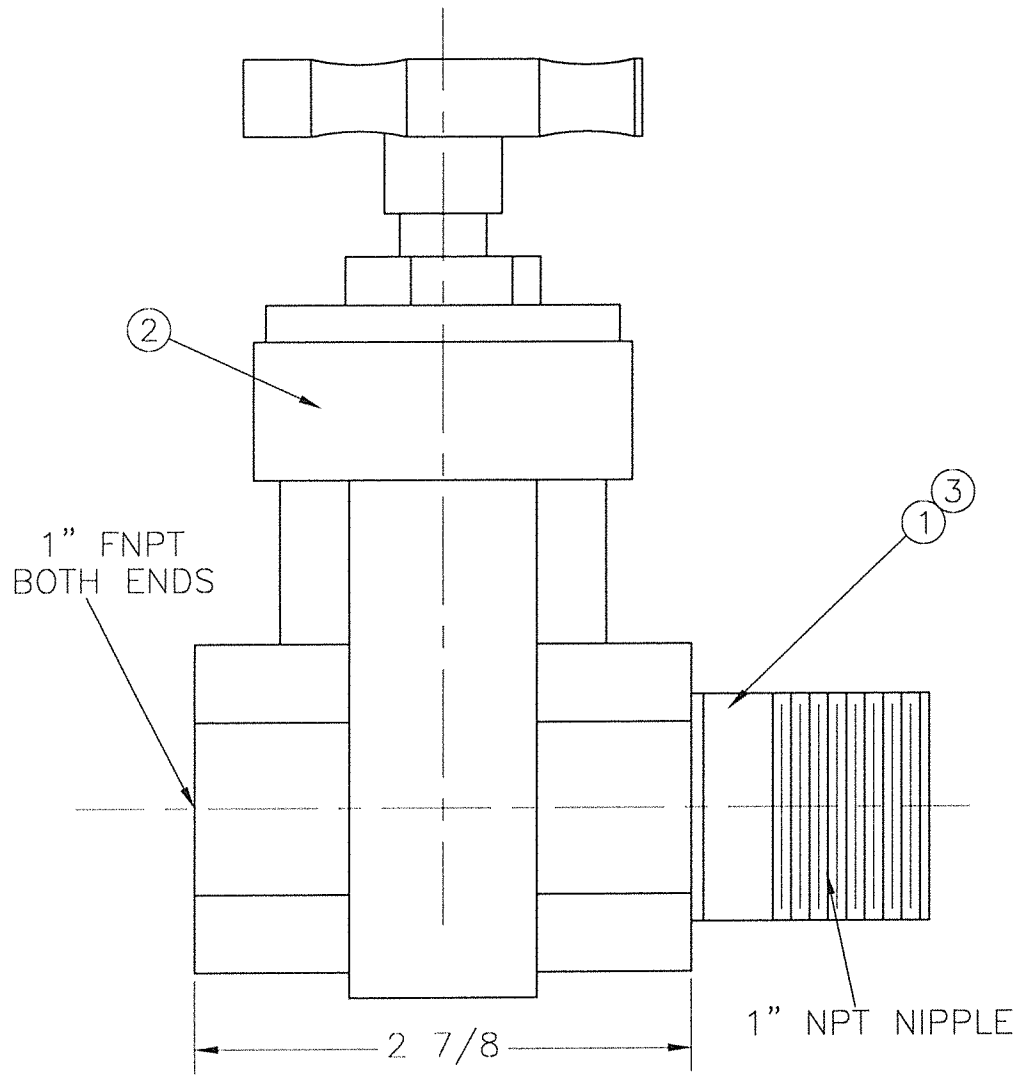


REVISIONS				
REV.	ECN	NUMBER	DATE	BY



THE INFORMATION DISCLOSED HEREIN INCLUDES PROPRIETARY RIGHTS. NEITHER THIS DRAWING NOR THE INFORMATION DISCLOSED THEREIN SHALL BE REPRODUCED OR TRANSFERRED TO OTHER DOCUMENTS OR USED OR DISCLOSED TO OTHERS FOR MANUFACTURING PURPOSES OR FOR ANY OTHER PURPOSE, EXCEPT AS SPECIFICALLY AUTHORIZED IN WRITING BY KEY INSTRUMENTS.

DIMENSIONS IN INCHES	
TOLERANCE UNLESS NOTED	
.XX (2 PLACE DEC.)	±.010
.XXX(3 PLACE DEC.)	±.005
FRACTIONS	±1/64
ANGLES	±1'
HOLES	+ .003 - .001
THREADS	CLASS 2 FIT
ALL DIAMETERS TO BE CONCENTRIC WITHIN .005 T.I.R. UNLESS NOTED	
BREAK SHARP EDGES	

MATERIAL	SCALE: FULL
FINISH	( $\sqrt{63}$ UNLESS NOTED)
DRAWN BY M.MILLER	DATE 10-12-90
APPROVED BY	DATE

**Ki** KEY INSTRUMENTS  
250 ANDREWS ROAD TREVOSE PA. 19053

TITLE  
**VALVE ASSY, FR5000**

NEXT ASSEMBLY	DWG. SIZE <b>A</b>	DRAWING NUMBER <b>ASM042</b>
---------------	-----------------------	---------------------------------