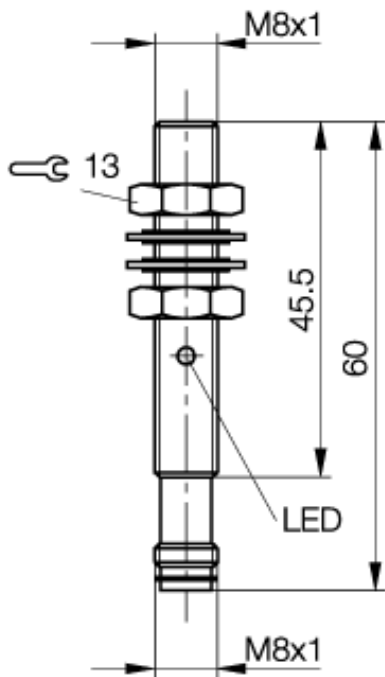


**Inductive Sensors**  
**BES M08MH1-PSC30B-S49G**  
**M 8 x 60**  
**normally-open**  
**Sn=3mm**  
**quasi shielded**



PX1478

**Common Data**

|                               |                |
|-------------------------------|----------------|
| Product name                  | SuperG         |
| Mounting in steel             | quasi shielded |
| Rated operating distance Sn   | 3mm            |
| Assured operating distance Sa | 0...2,4mm      |
| Repeatability R               | <= 5%          |
| Function indication           | yes            |
| Ambient temperature range     | -25...+70°C    |

**Mechanical Data**

|   |                    |
|---|--------------------|
| Measurements BxHxT or DxT                       | M 8 x 60mm         |
| Housing material                                | CuZn chrome plated |
| Material of sensing face                        | PBT                |
| Degree of protection                            | IP67IP             |
| Connection                                      | Connector S49      |
| Schock: Halbsinus, 30 gn, 11ms                  |                    |
| Vibration: 55 Hz, 1mm Amplitude, 3 x 30 Minutes |                    |

**Electrical Data**

|                                     |               |
|-------------------------------------|---------------|
| Current type                        | DC            |
| Wiring                              | 3-Wire        |
| switching function                  | normally-open |
| Output signal                       | PNP           |
| Rated operational voltage           | 24 DCV        |
| Rated operational current           | 200mA         |
| Supply voltage                      | 10...30 DCV   |
| max. switching frequency            | 1000Hz        |
| No-load supply current              | <= 12mA       |
| Off-state current                   | <= 100µA      |
| Voltage drop                        | <= 2V         |
| Short circuit protection            | yes           |
| Protected against polarity reversal | yes           |



**Remarks**

Mounting Instructions 825356



Utilization categories  
 Insulation class

DC 13

Datasheet number:

Definitions see general catalog.  
 If not otherwise noted, ratings according to  
 IEC 60947-5-2 (DIN EN60947-5-2)

Balluff GmbH  
 P.O.Box 1160  
 73761 Neuhausen Germany  
 Phone (07158) 173-0 Fax (07158) 5010