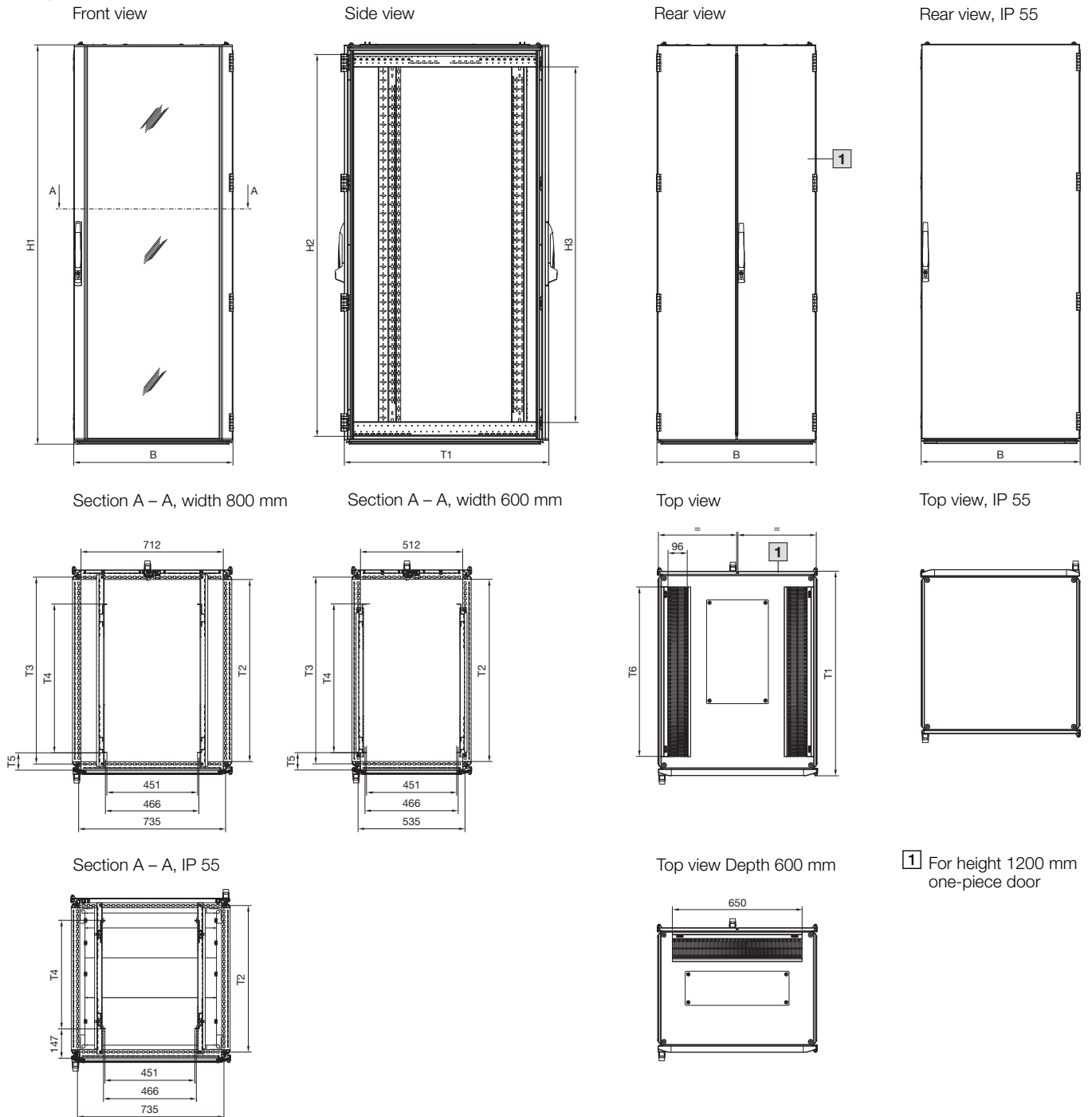


Network/server enclosures TS IT

with glazed door for rack climate control



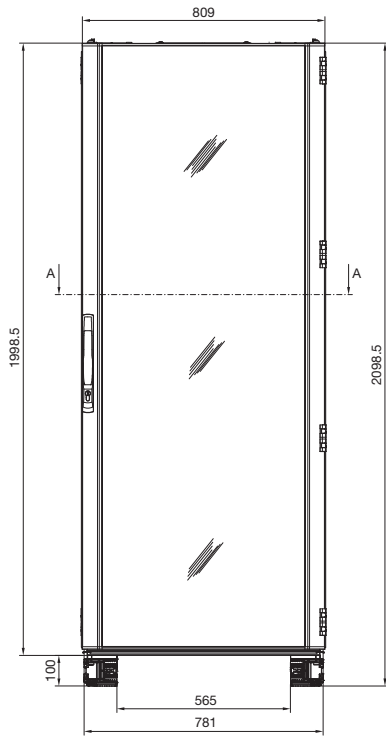
Model No. DK	IP 55	U	Width dimensions mm			Height dimensions mm			Depth dimensions mm			
			B	H1	H2	H3	T1	T2	T3	T4	T5	T6
5503.120	-	24	797	1198.5	1112	974	824	712	735	545	147	650
5504.120	-	24	797	1198.5	1112	974	1024	912	935	745	87	850
5505.120	-	38	797	1798.5	1712	1574	824	712	735	545	147	650
5506.120	-	42	797	1998.5	1912	1774	624	512	535	445	87	650
5507.120	5507.130	42	797	1998.5	1912	1774	824	712	735	545	147	650
5508.120	-	42	597	1998.5	1912	1774	1024	912	935	745	87	850
5509.120	5509.130	42	797	1998.5	1912	1774	1024	912	935	745	87	850
5510.120	-	42	597	1998.5	1912	1774	1224	912	935	745	147	1050
5511.120	-	42	797	1998.5	1912	1774	1224	1112	1135	745	87	1050
5512.120	-	47	797	2198.5	2112	1974	824	712	735	545	147	650
-	5514.130	47	797	2198.5	2112	1974	1024	912	935	745	147	850

Enclosures

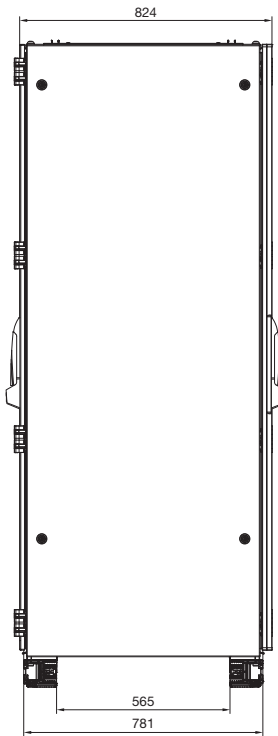
IT enclosure systems

Network/server enclosures TS IT with glazed door for rack climate control, pre-configured

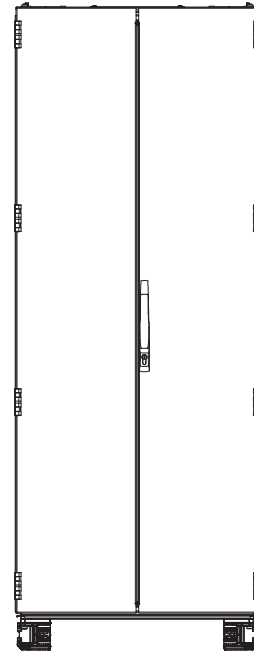
Front view



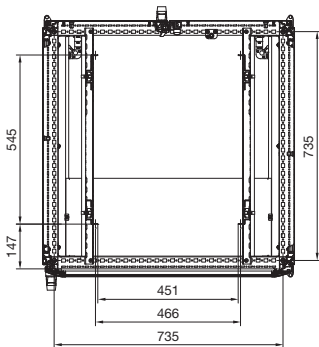
Side view



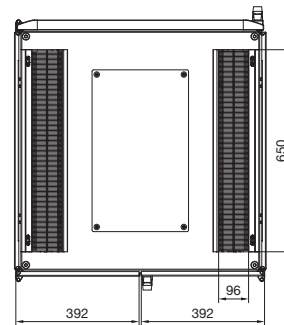
Rear view



Section A - A

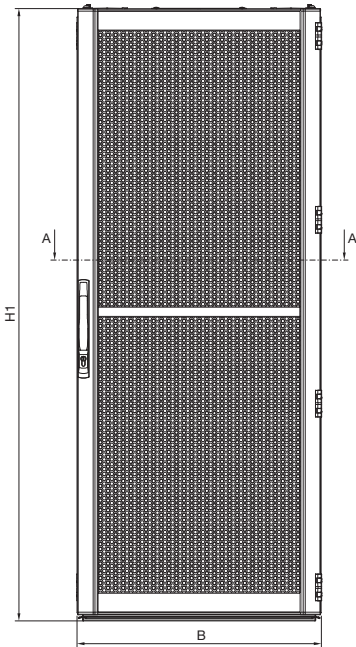


Top view

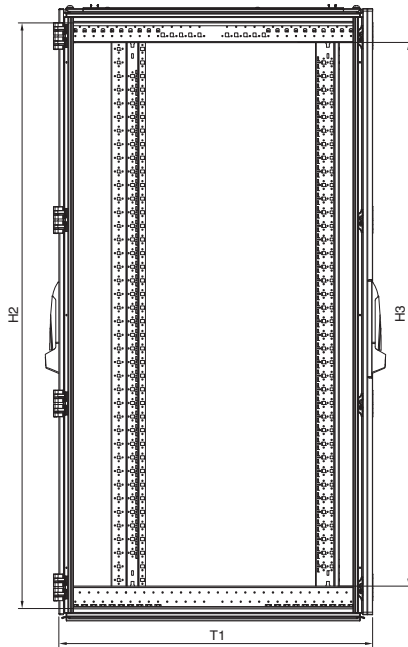


Network/server enclosures TS IT with vented door for room climate control

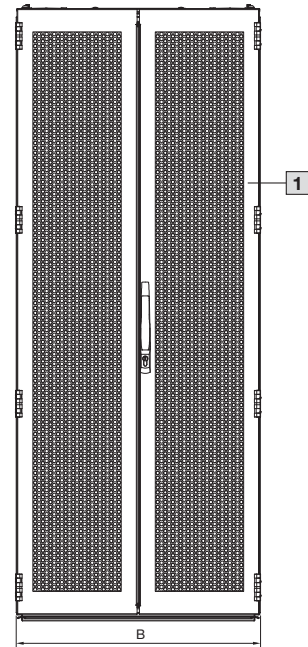
Front view



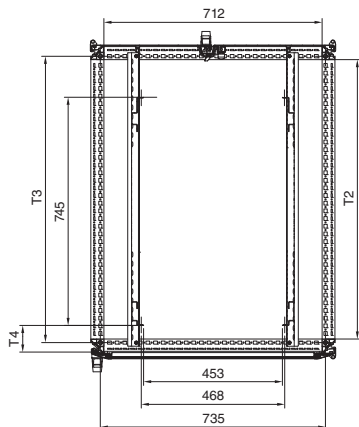
Side view



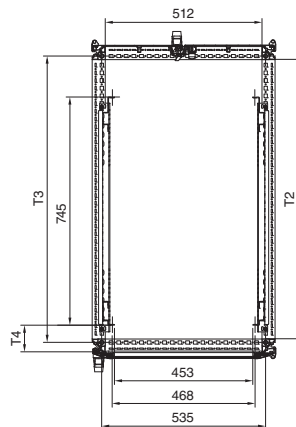
Rear view



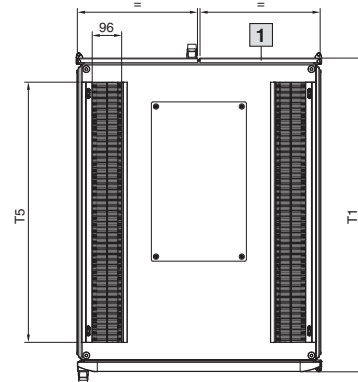
Section A – A
Width 800 mm



Section A – A
Width 600 mm



Top view



1 For height 1200 mm
one-piece door

Model No. DK	U	Width dimensions mm		Height dimensions mm			Depth dimensions mm				
		B	H1	H2	H3	T1	T2	T3	T4	T5	
5504.110	24	797	1198.5	1112	974	1024	912	935	87	850	
5508.110	42	597	1998.5	1912	1774	1024	912	935	87	850	
5509.110	42	797	1998.5	1912	1774	1024	912	935	87	850	
5510.110	42	597	1998.5	1912	1774	1224	1112	1135	147	1050	
5511.110	42	797	1998.5	1912	1774	1224	1112	1135	147	1050	
5513.110	47	597	2198.5	2112	1974	1024	912	935	87	850	
5514.110	47	797	2198.5	2112	1974	1024	912	935	87	850	
5515.110	47	597	2198.5	2112	1974	1224	1112	1135	147	1050	
5516.110	47	797	2198.5	2112	1974	1224	1112	1135	147	1050	