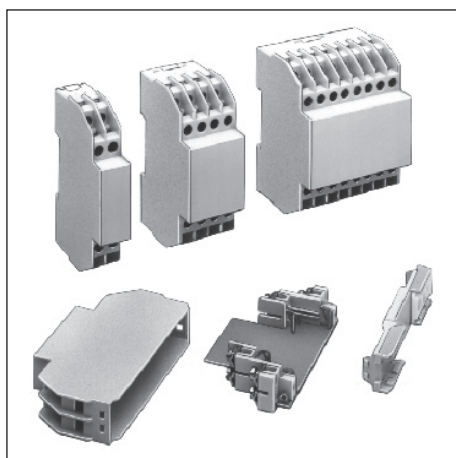
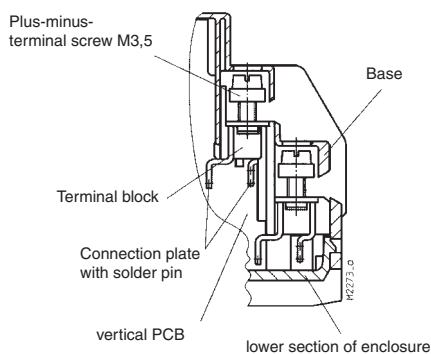


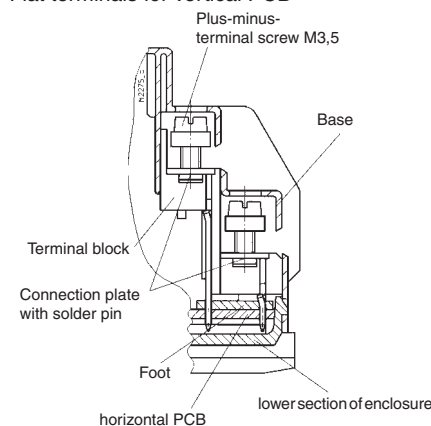
# Insulated Enclosure KU 4087, KU 4088 KU 4089 to DIN 43 880 for installation in distribution cabinets or surface mounting



- Width 17,5 / 35 / 70 mm
- 8 / 16 / 32 plus-minus-terminal screws with self raising terminal washers. Part utilised possible, with blanking plug as option
- Secure termination of max. 2 connection wires of differing cross section
- Machine solderable connection pins, additional wire connection possible
- Housing supplied as single parts, terminals prefitted in terminal blocks



Flat terminals for vertical PCB



Flat terminals for horizontal PCB

## Technical Data

Order references	
8 Terminals	
KU 4087.0031867:	Standard version vertical PCB
KU 4087.0044740:	Standard version horizontal PCB
16 Terminals	
KU 4088.0031868:	Standard version vertical PCB
KU 4088.0036588:	Standard version horizontal PCB
32 Terminals	
KU 4089.0031869:	Standard version vertical PCB
KU 4089.0036437:	Standard version horizontal PCB

Versions with removable front plate, on request

**Outer dimensions:** 17,5 x 90 x 58 / 35 x 90 x 58 / 70 x 90 x 58

Enclosure material: PC - GF, light grey RAL 7035

<b>Temperature stability:</b>	
complying with UL 746 B:	125 °C
complying with Vicat	
ISO 306 Meth. B:	148 °C
complying with ISO 75-2 Meth. A:	138 °C
Meth. B:	144 °C

Max. permitted power dissipation: 3 W / 4 W / 8 W at normal climate 23/50-1 ISO 554

specific thermal resistance:  $R_{th} = 16 \text{ K/W}; 12 \text{ K/W}; 8 \text{ K/W}$  for stand-alone enclosure

Flame retardancy  
complying with UL 94:  
complying with IEC 60 707:

V-0  
BH 2-30

**Number of terminals:** 8 / 16 / 32; < 8, < 16, < 32 on request

Terminal material: Steel strip, tin-plated

Max. cross section for connection: 2 x 2,5 mm<sup>2</sup> solid  
2 x 1,5 mm<sup>2</sup> stranded  
min. Ø 0,1 mm solid DIN 46 228-1/-2/-3/-4

Insulation of wires length: 10 mm

Max. contact resistance to printed circuit board: 20 mΩ

Max. current carrying capacity: 16 A; 40 A on request

Wire fastening: Captive plus-minus-terminal screws M3,5 with self raising terminal washers. Function compl. with IEC 60 999-1

Torque: max. 0,8 Nm

Inner connection: Machine solderable connection pin for PCB und and soldering lug for stranded

**Enclosure fastener:** 1) Snap-on fastener on top hat rail EN 50 022  
2) Screw fixing M4, grid 90 mm with additional clip as accessory

Creepage current resistance: CTI 175 ≙ insulated material III a IEC 60 664-1

**Air gap and creepage distances** IEC 60 664-1

Vertical PCB: Air gap distance: ≥ 4,0 mm  
Creepage distance: ≥ 6,3 mm

Horizontal PCB: ≥ 3,2 mm

Type of protection  
Enclosure: IP 40 IEC 60 529  
Terminals: IP 20 IEC 60 529

Contact protection complies with VBG 4

Print area: 17 x 44 mm / 35 x 44 mm / 71 x 44 mm

**Printed circuit board:** See printed circuit board design

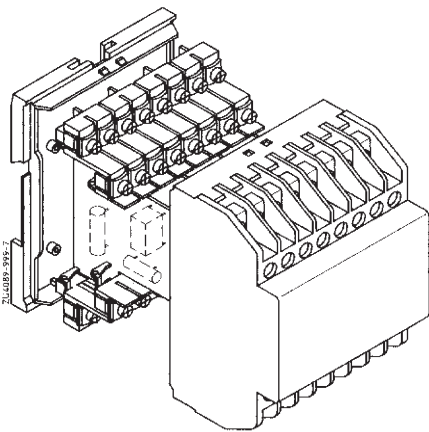
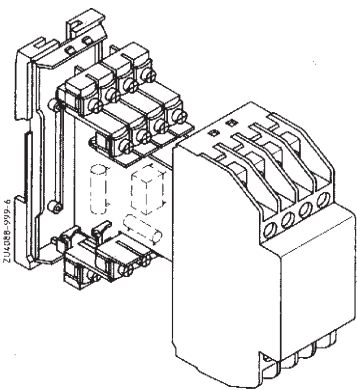
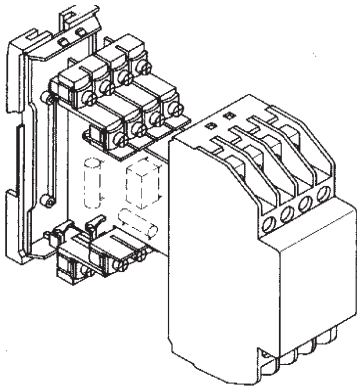
Printed circuit board holder: Guide ribs

Net weight: 42 / 80 / 150 g

### Accessories:

- ET 4086-0-2: Second clip for screw fixing
- KU 4089-3-4: Blanking plug for terminal block
- KU 4087-0-2: Blanking plug for Enclosure base
- KU 4087-2-1: Dummy terminal block for vertical PCB
- KU 4089-3-1: Dummy terminal block for horizontal PCB
- KU 4089-3-3: Double foot, for KU 4089-3-1 necessary, 2 pieces KU 4089-3-1 mounted on double foot
- KU 4089-3-3.1: Foot, for KU 4089-3-1 necessary, 1 piece KU 4089-3-1 mounted on foot

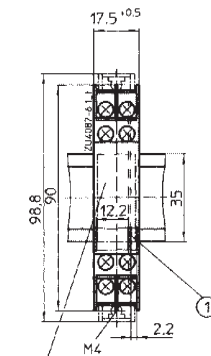
## Exploded views



## Dimensions Enclosure for vertical PCB

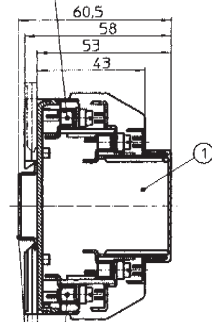
PCBs not included in deliveries

KU 4087.0031867



in area 15 x 35 openings are possible to customers spec.

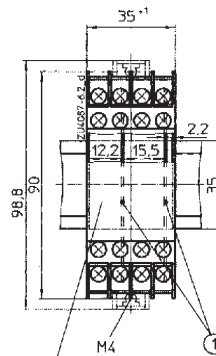
Terminal block fitted  
KU 4087-2.1/0142957



Terminal block fitted  
KU 4087-3.1/0142958

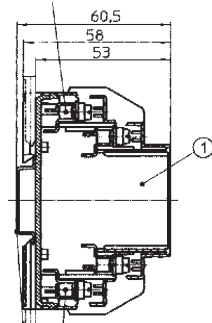
top hat rail  
EN 50 022

KU 4088.0031868



in area 33 x 35 openings are possible to customers spec.

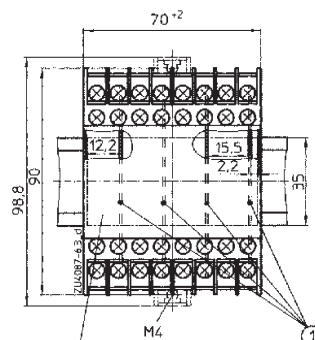
Terminal block fitted  
KU 4087-2.1/0142957



Terminal block fitted  
KU 4087-3.1/0142958

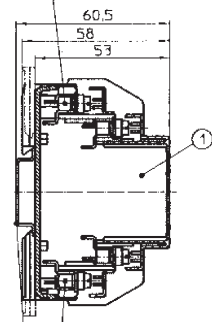
top hat rail  
EN 50 022

KU 4089.0031869



in area 67 x 35 openings are possible to customers spec.

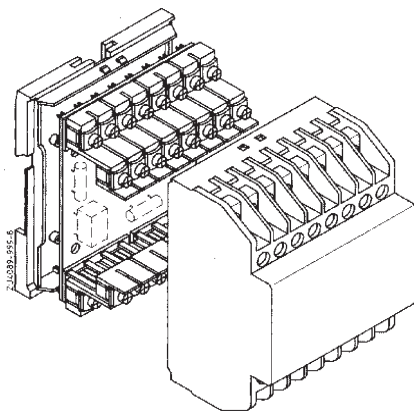
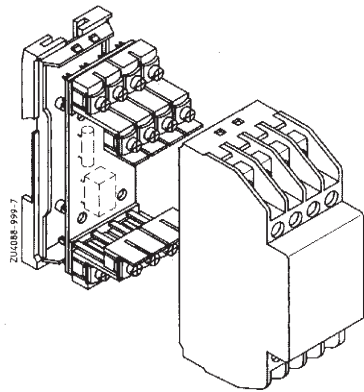
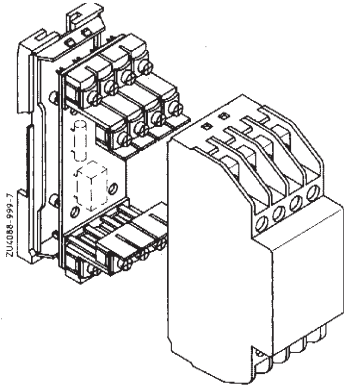
Terminal block fitted  
KU 4087-2.1/0142957



Terminal block fitted  
KU 4087-3.1/0142958

top hat rail  
EN 50 022

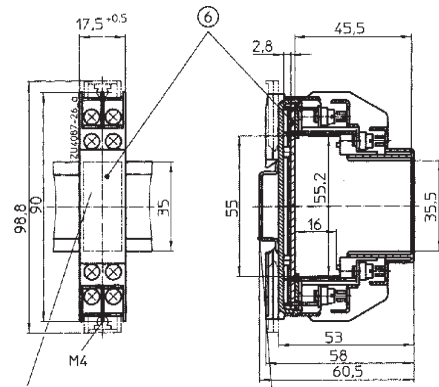
## Exploded views



## Dimensions Enclosure for horizontal PCB

PCBs not included in deliveries

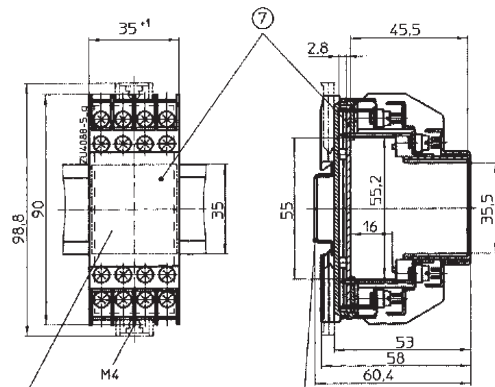
KU 4087.0044740



in area 15 x 35 openings are possible to customers spec.

top hat rail  
EN 50 022

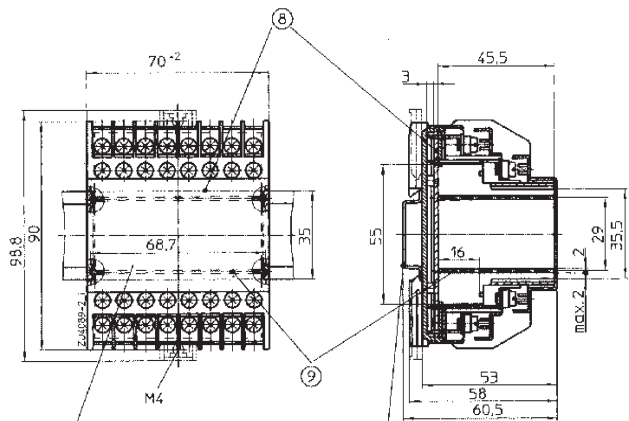
KU 4088.0036588



in area 33 x 35 openings are possible to customers spec.

top hat rail  
EN 50 022

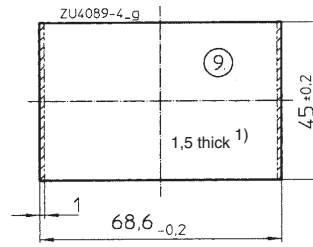
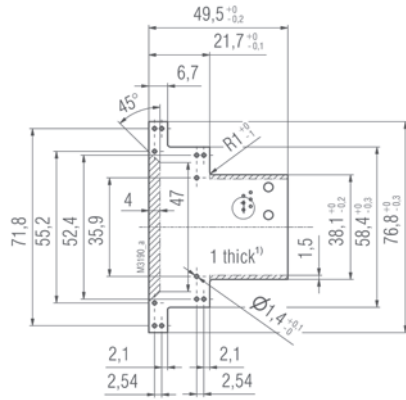
KU 4089.0036437



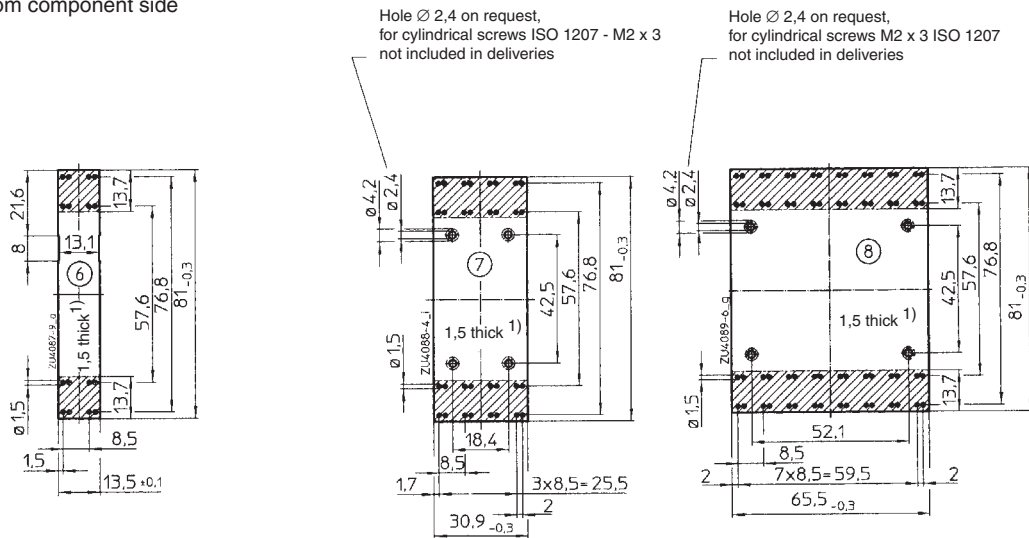
in area 67 x 35 openings are possible to customers spec.

top hat rail  
EN 50 022

## Printed circuit board design



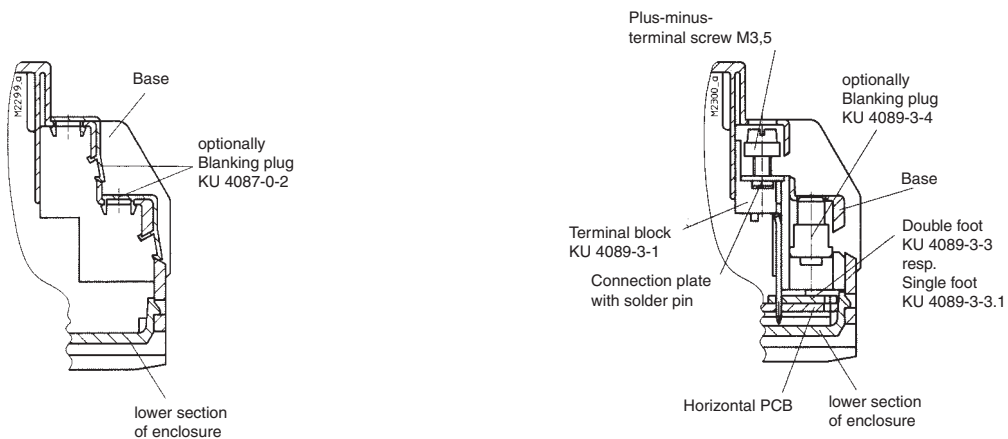
View from component side



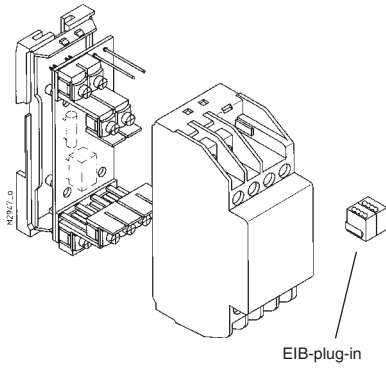
Inhibited surface

<sup>1)</sup> Tolerance complying with IEC/EN 60249-2-4

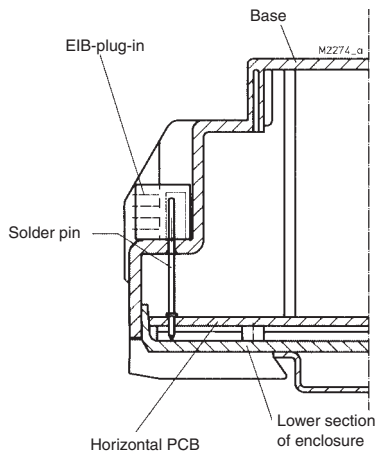
## Accessories



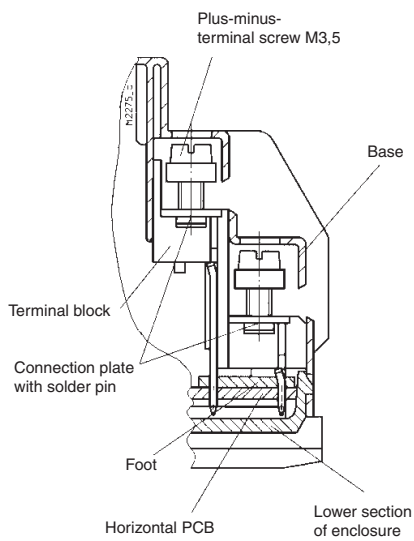
## KU 4088 for EIB-plug-in (12-pole)



- Width 35 mm
- Useable for Sensor and Aktor modules in EIB-system
- For standard EIB-plug-in, 2-pole
- 12 plus-minus-terminal screws with self raising terminal washers
- Part insertion possible, available with blanking plugs

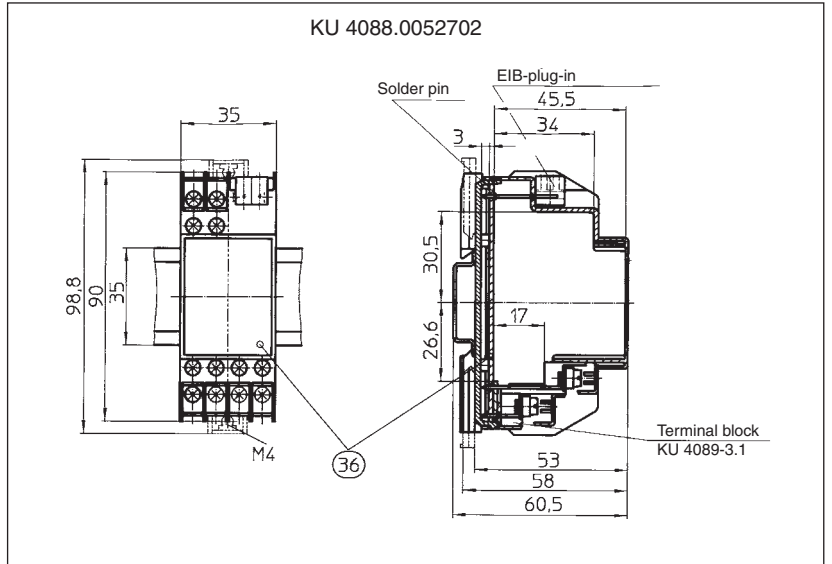


EIB-plug-in

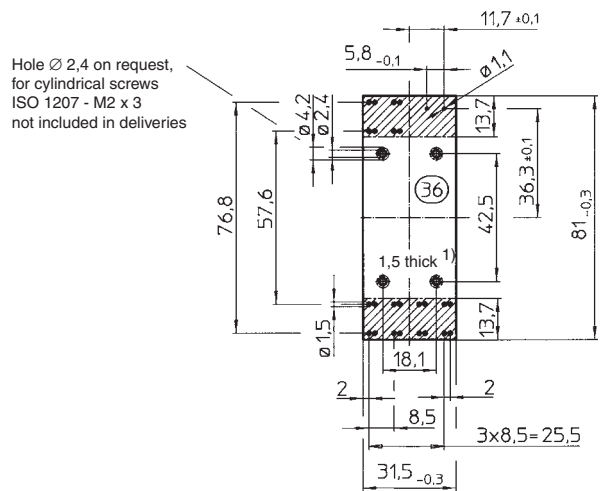


Flat terminals for horizontal PCB

## Dimension



## Printed circuit board design



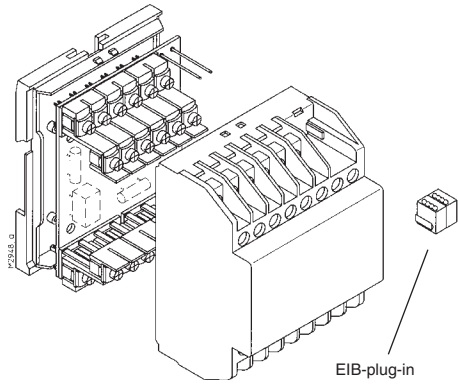
Hole  $\varnothing$  2,4 on request, for cylindrical screws ISO 1207 - M2 x 3 not included in deliveries

Inhibited surface

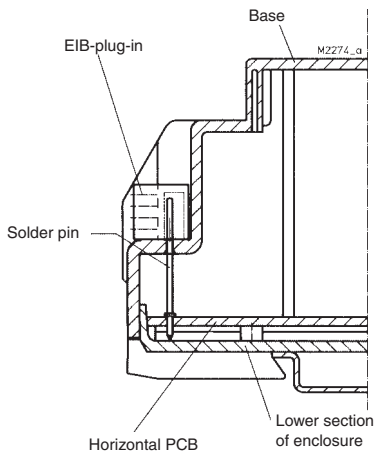
1) Tolerance complying with IEC/EN 60249-2-4

2) Hole  $\varnothing$  2,4 on request for cylindrical screws ISO 1207 - M2 x 3 not included in deliveries

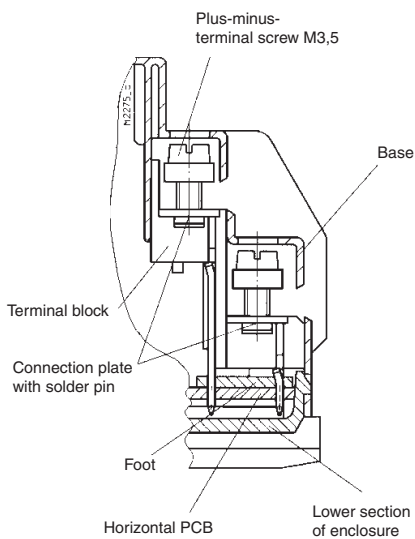
## KU 4089 for EIB-plug-in (28-pole)



- Width 70 mm
- Useable for Sensor and Aktor modules in EIB-system
- For standard EIB-plug-in, 2-pole
- 28 plus-minus-terminal screws with self raising terminal washers
- Part insertion possible, available with blanking plugs



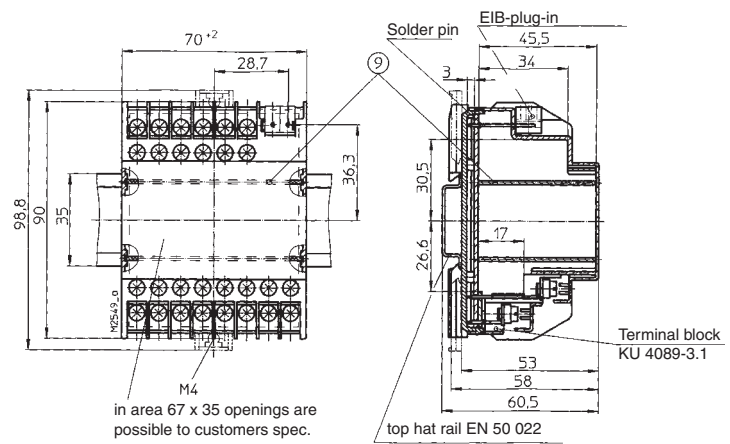
EIB-plug-in



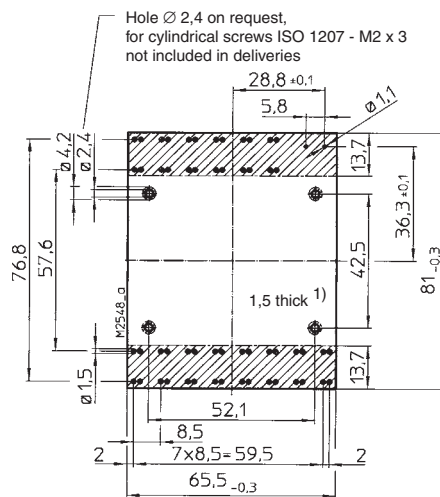
Flat terminals for horizontal PCB

## Dimension

KU 4089.0051013



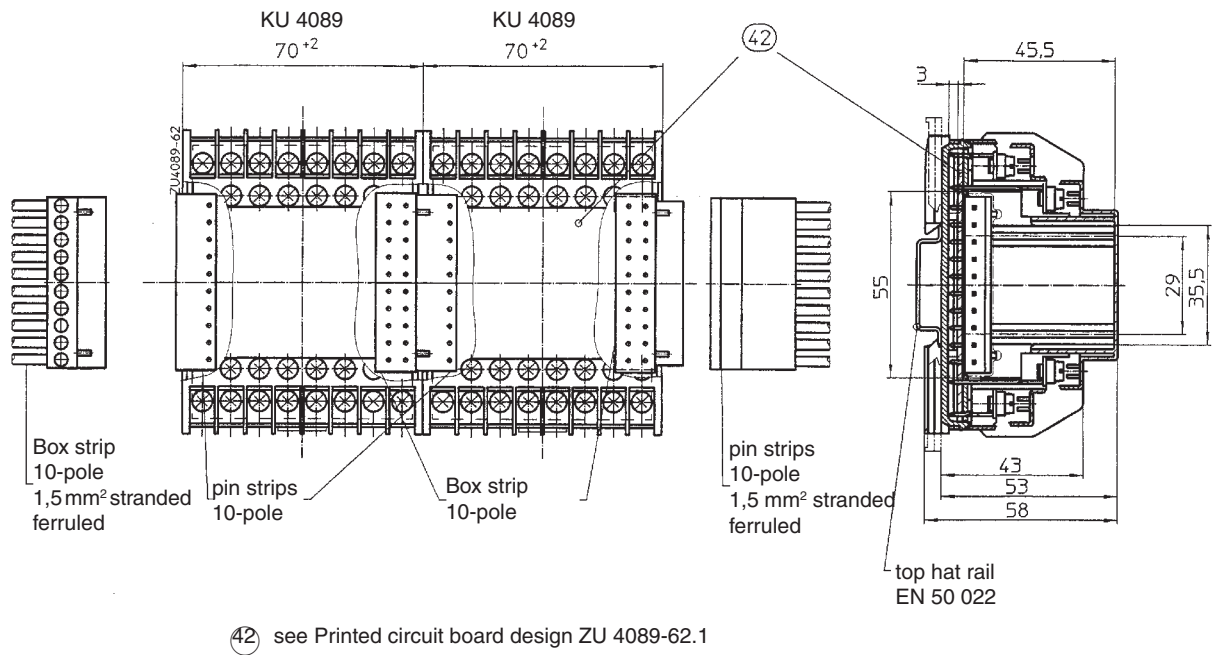
## Printed circuit board design



▨ Inhibited surface

- 1) Tolerance complying with IEC/EN 60249-2-4
- 2) Hole  $\varnothing$  2,4 on request for cylindrical screws ISO 1207 - M2 x 3 not included in deliveries

## Dimensions for BUS-connection between enclosure and from row to row



other polarity versions, on request

## Printed circuit board design for BUS-connection between enclosure and from row to row

View from component side

