

## CFL SQUARE 16 W/835 GR8

OSRAM CFL SQUARE 2 pins | Square CFLni with 2-pin GR8 base for CCG operation



### Areas of application

- Low-profile wall and ceiling luminaires
- Public buildings, reception areas, offices, corridors, etc.
- Shops
- Supermarkets and department stores
- Hotels, restaurants
- Industry

### Product benefits

- Square shape provides uniform distribution of light
- No shadows at either end and no dark patches
- Extremely low profile
- Very economical
- Good quality of light
- Long service life

### Product features

- Single-ended two-pin plug-in GR8 base
- Short and compact pin-base lamp with double-turn tubes
- Color rendering index  $R_a$ : 80...89



# Product datasheet

## Technical data

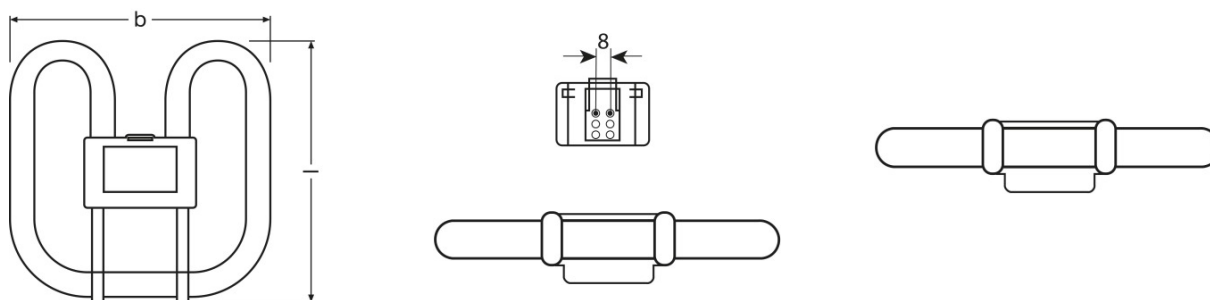
### Electrical data

Nominal wattage	16.0 W
Rated wattage	16.00 W
Rated luminous flux	1050 lm

### Photometrical data

Nominal luminous flux	1050 lm
Color temperature	3500 K
Light color	835
Light color as per EN 12464-1	LUMILUX White
Color rendering index Ra	80...89
Luminous flux at 25 °C	1050 lm
Rated LLMF at 4,000 h	0.78
Rated LLMF at 6,000 h	0.76
Rated LLMF at 8,000 h	0.75
Color rendering group	1B

### Dimensions & weight



Overall length	138.0 mm
Product weight	71.00 g
Length	138.0 mm <sup>1)</sup>
Length acc. to IEC standard	138 mm

<sup>1)</sup> Maximum

### Lifespan

Nominal lamp life time	10000 h
Rated lamp life time	10000 h

## Product datasheet

Service life	6000 h
Rated lamp survival factor at 2,000 h	0.99
Rated lamp survival factor at 4,000 h	0.94
Rated lamp survival factor at 6,000 h	0.84
Rated lamp survival factor at 8,000 h	0.69
Operation mode LLMF/LSF	50 Hz
Lifespan	10000 h

### Additional product data

Base (standard designation)	GR8
Lamp mercury content	2.5 mg
Appropriate disposal acc. to WEEE	Yes

### Capabilities

Suitable for indoor	Yes
---------------------	-----

### Certificates & standards

Energy efficiency class	B
Energy consumption	20 kWh/1000h

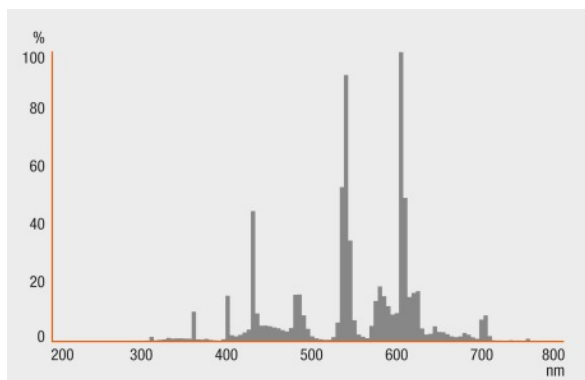
### Country specific categorizations

ILCOS	FSS-16/835-I-GR8
-------	------------------

# Product datasheet

## Light Distribution

---



### Spectral power distribution

---

### Equipment / Accessories

- Suitable for operation on conventional control gear

---

### Safety advice

In case of lamp breakage: [www.osram.com/brokenlamp](http://www.osram.com/brokenlamp)

---

### Logistical Data

Product code	Product description	Packaging unit (Pieces/Unit)	Dimensions (length x width x height)	Volume	Gross weight
4050300816838	CFL SQUARE 16 W/835 GR8	Shipping carton box 20	326 mm x 185 mm x 322 mm	19.42 dm <sup>3</sup>	2834.00 g

The mentioned product code describes the smallest quantity unit which can be ordered. One shipping unit can contain one or more single products. When placing an order, for the quantity please enter single or multiples of a shipping unit.

---

### Disclaimer

Subject to change without notice. Errors and omission excepted. Always make sure to use the most recent release.