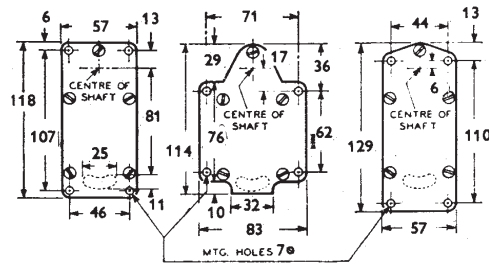


Dimensions - Limit Switches

Limit Switches Types T and FT Base Plate Dimensions

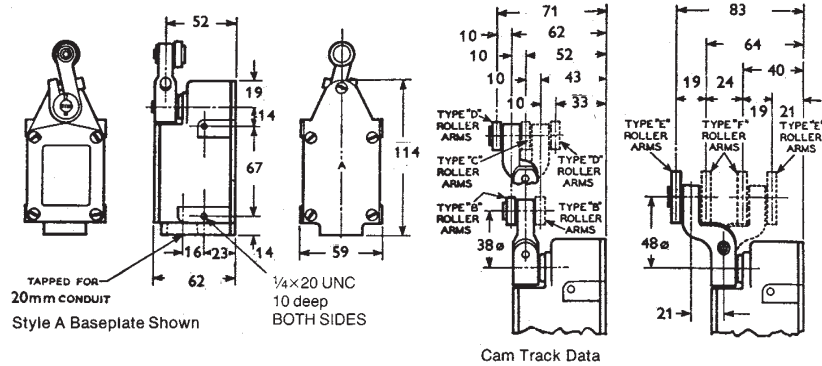


Style "B"
(Style "E" with Manifold Opening)

Style "C"
(Style "F" with Manifold Opening)

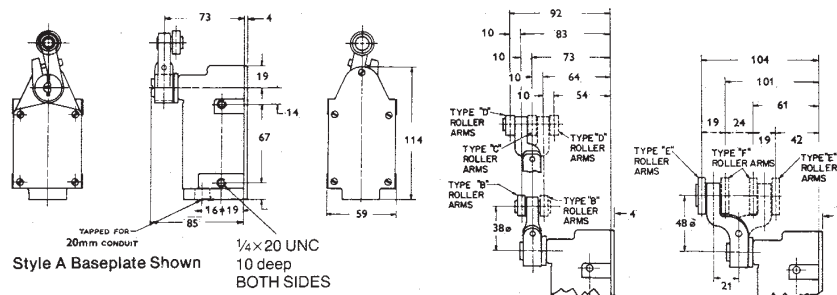
Style "D"
(Style "G" with Manifold Opening)

Limit Switches Types T



Cam Track Data

Limit Switches Type FT



Dimensions in mm