

THIS DRAWING IS UNPUBLISHED.

RELEASED FOR PUBLICATION

20

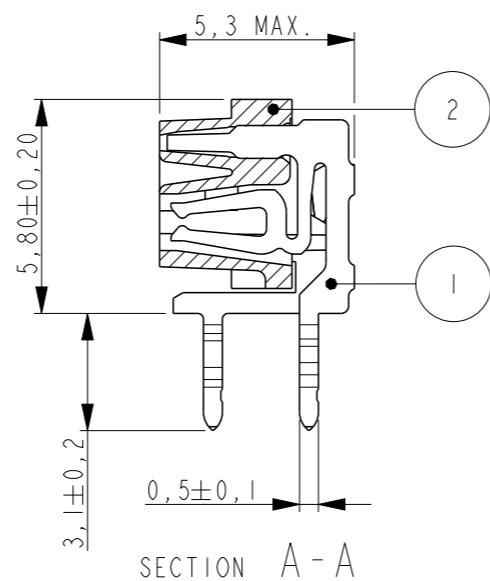
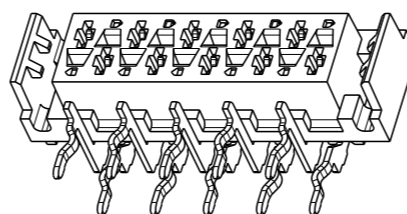
LOC H DIST -

REVISIONS

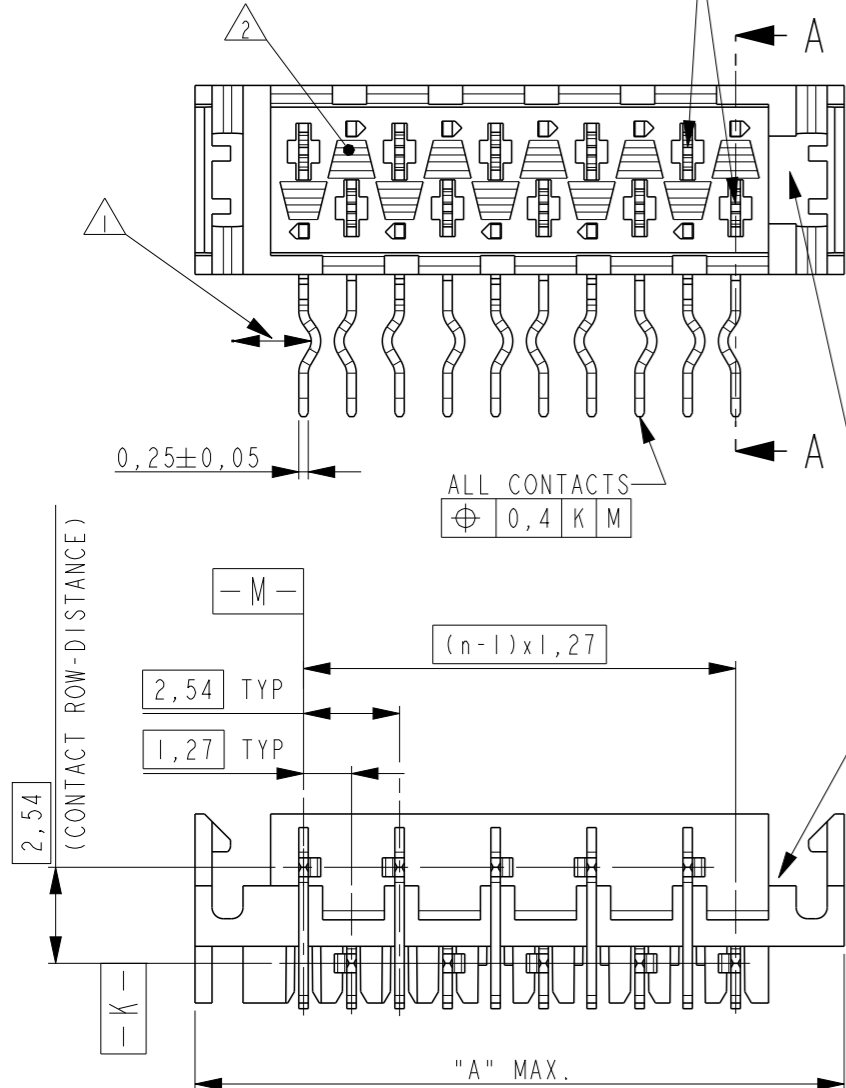
© COPYRIGHT 20 Y ALL RIGHTS RESERVED.

P	LTR	DESCRIPTION	DATE	DWN	APVD
	F3	PACKAGING QTY CHANGE FOR 4 POS. CONNECTOR	06SEP2013	KJK	RP

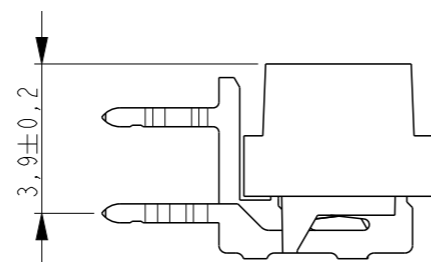
REFERENCE MATING INTERFACE PATTERN:
1,27 STAGGERED PITCH x 1,5 ROW-DISTANCE.



PART NUMBER REEL PACKAGING	NR. OF POS "n"	"A" MAX
338070-4	4	9,7
338070-6	6	12,2
338070-8	8	14,7
1-338070-0	10	17,3
1-338070-2	12	19,8
1-338070-4	14	22,4
1-338070-6	16	24,9
1-338070-8	18	27,4
2-338070-0	20	30,0

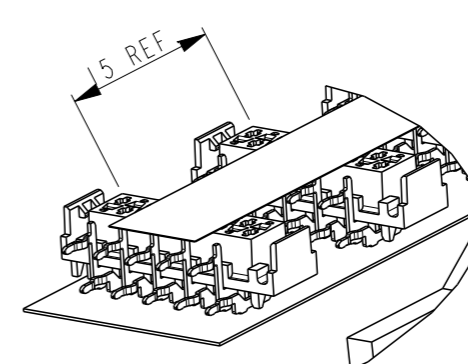


POLARISATION SLOT

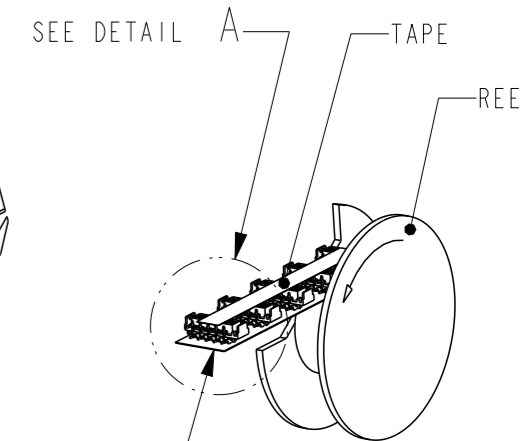


NOTES:

- 1 IN EACH ROW, DIRECTION OF KINKS STARTS RANDOM. IN EACH ROW, SEQUENTIAL CONTACTS HAVE OPPOSITE KINK DIRECTIONS.
- 2 CORING-OUTS FOR MANUFACTURING PURPOSE ONLY. SHAPE MAY VARY, BUT IS NOT FUNCTIONAL FOR THE APPLICATION.
- 3 SHOWN IS A 10 POSITION CONNECTOR.
- 4 THIS AREA IS RESERVED FOR CONTACTS.



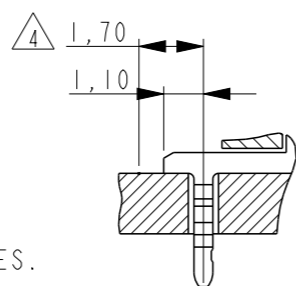
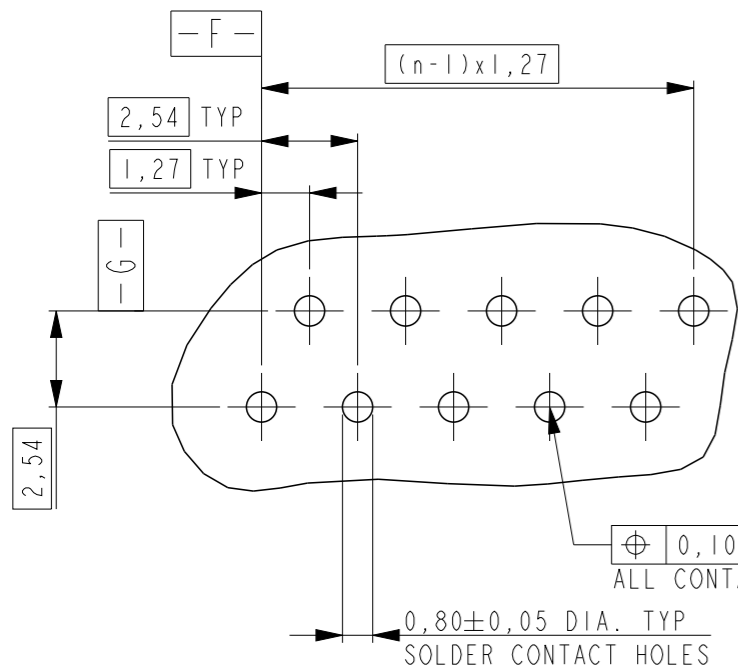
DETAIL A SCALE 2:1



SCALE 1:2

REEL PACKAGING
DEREELING DIRECTION AND CONNECTOR POSITION.
QUANTITY 2500 CONNECTORS PER REEL FOR ALL PART NUMBER,

PC-BOARD HOLE LAYOUT
(COMPONENT SIDE OF BOARD SHOWN)



THIS DRAWING IS A CONTROLLED DOCUMENT.

DIMENSIONS:	TOLERANCES UNLESS OTHERWISE SPECIFIED:
mm	
0 PLC	±-
1 PLC	±-
2 PLC	±-
3 PLC	±-
4 PLC	±-
ANGLES	±1°
MATERIAL	FINISH

ITEM NO.	DESCRIPTION	MATERIAL	FINISH / COLOR
2	HOUSING	G.F. POLYESTER PBT	RED
1	FEMALE CONTACT	PHOSPHOR BRONZE	TIN OVER NICKEL

DWN 03-JUN-96 DENNIS KESSLER
CHK HUUB VAN DELFT
APVD ERIC LEIJTENS
PRODUCT SPEC 108-19052
APPLICATION SPEC -

NAME: CONNECTOR, FEMALE-ON-BOARD, SIDE-ENTRY, THRU-HOLE, WITH LATCHES, Micro-MatCh

SIZE A3 CAGE CODE 00779 DRAWING NO C-338070 RESTRICTED TO -

WEIGHT -

CUSTOMER DRAWING SCALE 10:1 SHEET 1 OF 1 REV F3

