

5920PJI040L51-10 HIGH

EAN 4031582356748

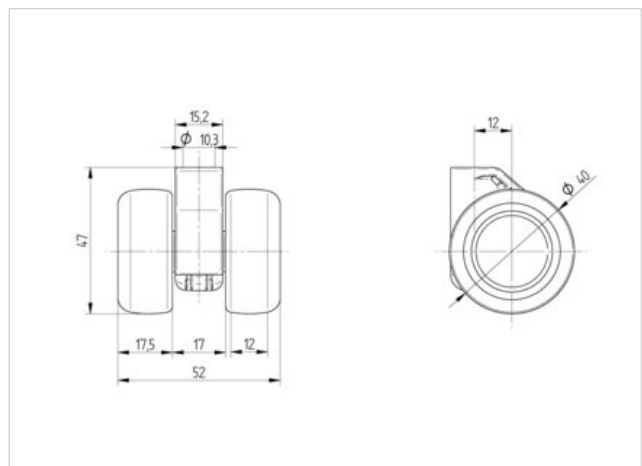
Swivel castor, housing made of Polyamide, with blind hole for furniture fittings.

Wheel centre made of Polypropylene, Tread: TENTEprene (thermoplastic rubber), grey non-marking, plain bearing

Technical Data

Wheel diameter	40 mm
Width of Tread	12 mm
Castor width	52 mm
Centre hole	10 mm
Dome-Ø	15.2 mm
Offset	12 mm
Swivel Interference	74 mm
Overall height	47 mm
Temperature	- 20 / + 60 °C
Standard	EN 12528
Weight	0.052 kg
Swivel Radius	37 mm
Hardness of tread	A 87 Shore
Load capacity	40 kg
Load capacity (static)	80 kg

Roll performance	+	+	+	+	+
Movement noise	+	+	+	+	+
Attrition	+	+	+	+	+
Corrosion resistance	+	+	+	+	+



Product Information



5920PJI040L51-10 HIGH

EAN 4031582356748

