

Product Information



8477UFD160P63

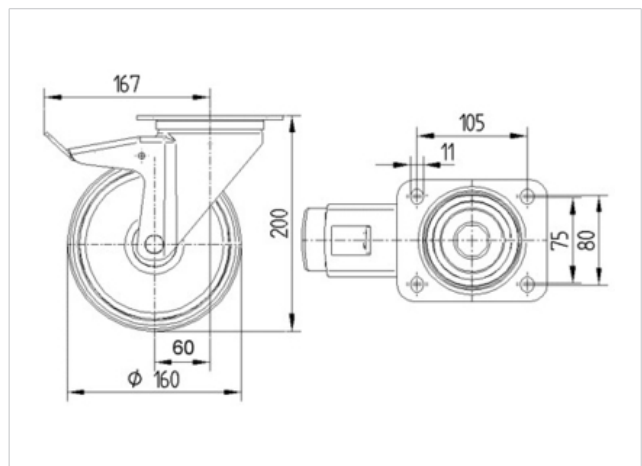
EAN 4031582347050

Swivel castor with total lock, tail end of castor, housing made of Stainless Steel, double ball bearing swivel head, wheel axle with nut, plate fitting. Wheel centre made of Polyamide, Tread: elastic-tyre, non-marking, roller bearing, stainless

Technical Data

Wheel diameter	160 mm
Width of Tread	46 mm
Size of Plate	137 x 105 mm
Plate hole centres	105 x 80/75 mm
Plate hole	11 mm
Offset	60 mm
Swivel Interference	334 mm
Overall height	200 mm
Temperature	- 20 / + 80 °C
Standard	EN 12532
Weight	2.287 kg
Hardness of tread	A 64 Shore
Load capacity	300 kg
Load capacity (static)	600 kg

Roll performance	+	+	+	+	+
Movement noise	+	+	+	+	+
Attrition	+	+	+	+	+
Corrosion resistance	+	+	+	+	+





8477UFD160P63

EAN 4031582347050

