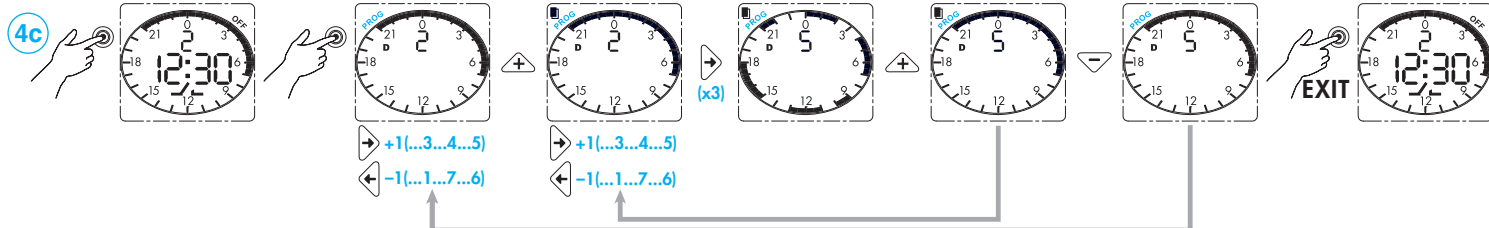
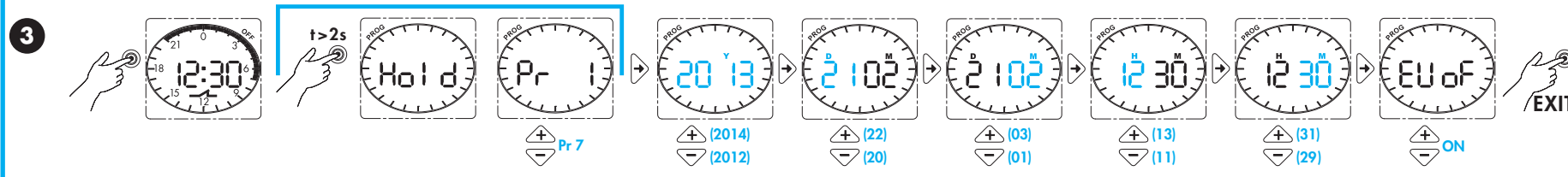
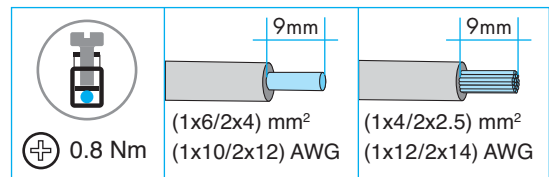
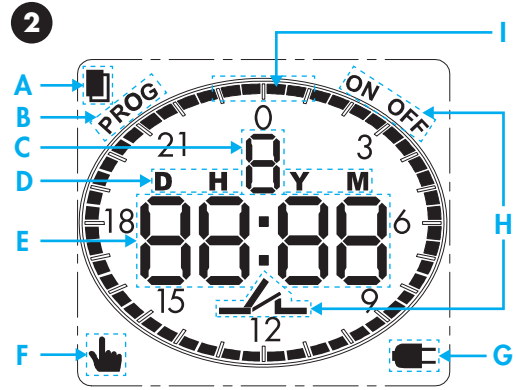
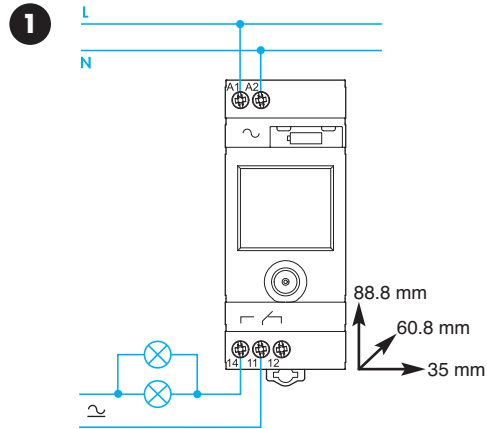




EN 60669-1/EN 60669-2-1	
	12.51.8.xxx.0000 U _N 120 V AC (50/60Hz) U _N 230 V AC (50/60Hz) P _N 6.6VA (50Hz) / 2.9W U _{min} -U _{max} : (0.8-1.1)U _N
	1 CO (SPDT) 16 A 250 V AC
	AC1 4000 VA AC15 (230V AC) 750 VA
	(230 V) 2000 W (230 V) 750 W
	CFL LED (230 V) 200 W
	(-20...+50)°C
IP20	



1 WIRING DIAGRAM

2 DISPLAY LEGEND

- A COPY function
- B Programming
- C Day of the week (1=MON ... 7=SUN)
- D =day - H=time - Y=year - M=minutes/month
- E Time
- F MANUAL mode
- G Time switch without power supply; powered by battery
- H Current contact state
- I Current state / programming of the segments
(■ black square=ON - □ white square=OFF)

3 SETTINGS

- Push the joystick to activate the display; push >2s to display Pr 1 or Pr 7; using the joystick set the following data
- Pr 1: DAILY program
- Pr 7: WEEKLY program
- Y=year; D=day; M=month; H=hour; M=minutes
- EU on: automatic change european summer time enabled
- EU of: automatic change european summer time disabled

4 PROGRAMMING (examples)

- 4a DAILY program: push the joystick to activate the display; push it again to view the hour 00:00; use the joystick to set the program required. Example: (ON from 00:00 to 1:30) / (ON from 5:00 to 6:30)
- 4b WEEKLY program: push the joystick to activate the display; push it again to view the current day; use the joystick to first select appropriate day, and then set the program required. Example: Tuesday (ON from 00:00 to 6:00) (ON from 11:00 to 13:00). Repeat for other days.
- 4c COPY Function: push the joystick to activate the display; push again to view the current day, and then select the day to be copied; copy by pulling the joystick to the + symbol; then select the day to which the program is to be pasted, and then press the joystick to the + symbol to paste program; to exit, pulling the joystick to the - symbol and then press it. [example: copy Tuesday (2) program into Thursday (5)].

5 SETTING MANUAL MODE

- 5a Push the joystick to activate the display; push it towards the + symbol for 2 seconds to activate **manual ON** (fig.1); to deactivate, push the joystick towards the - symbol for 2 seconds (fig.2).
- 5b Push the joystick to activate the display; push it towards the - symbol for 2 seconds to activate **manual OFF** (fig.1); to deactivate, push the joystick towards the + symbol for 2 seconds (fig.2).

6 BATTERY replacement

- BATTERY CR 2032 (LiMnO₂) 3V, 230mAh.
- Complies with Article 11, EU directive 2006/66/CE.
- Dispose of batteries according to local regulations.

NOTE

- Back-light display.
- Minimum switching interval: 30 min.
- Power back-up (Battery life): 6 years.