

**Product Specification**

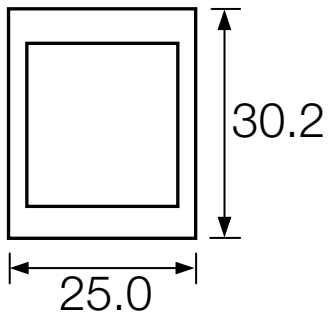
**C1560AA**



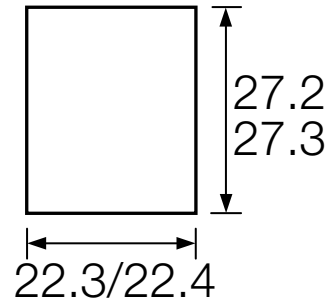
Description

Double pole, ON ON, Rocker switch

1 of 2

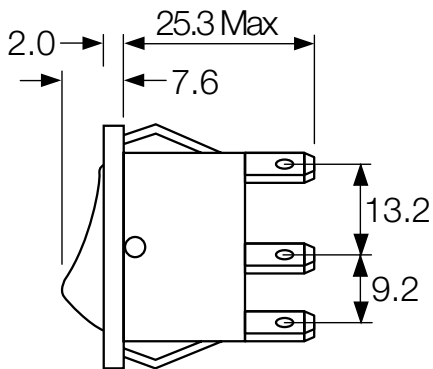


**Bezel**

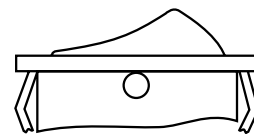


**Cut-Out**

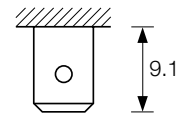
Panel thickness 0.75 to 3.3mm



**Side profile**



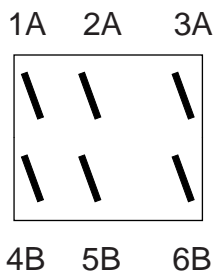
**Rocker profile**



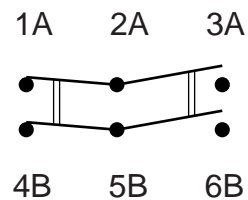
6.3 x 0.8

**Terminal style**

Terminal spacing - Poles 10.2 between centres



**Terminal Identification**



**Circuit Identification**

**Product Specification****C1560AA**

Description

Double pole, ON ON, Rocker switch

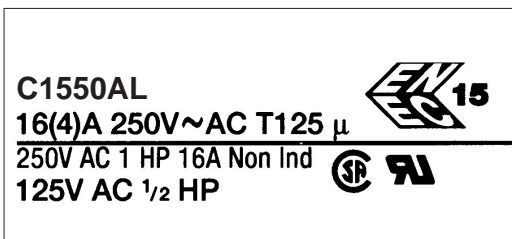
2 of 2

**MATERIALS**

Component	Material	Colour	Marking	Flammability Rating
Body	Nylon 66		See below	UL94-V2
Rocker	Nylon 66		See below	UL94-V2
Centre terminal	Copper Alloy			
End terminal	Copper Alloy			
Contacts	Silver Alloy			

**ROCKER MARKING**

N/A

**BODY MARKING****APPROVALS/RATINGS**

Approval Body	Specification	Certificate No.	Rating
	EN61058-1	137203	16(4)A, 250V ac T125μ
	UL 1054	E45221	16A Non Ind. 250V ac 1HP 250V ac 1/2HP 125V ac
	Compliant		