

# Product Information



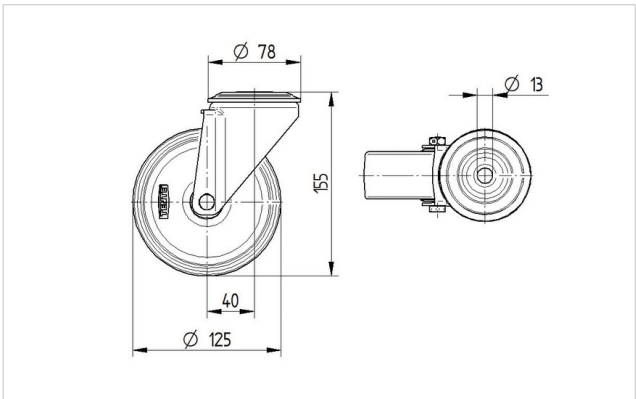
## 3470UFR125P30-13 (Blue)

EAN 4031582423242

Swivel castor, housing made of pressed steel, bright zinc plated, blue passivated, double ball bearing swivel head, wheel axle with nut, bolt hole. Wheel centre made of Polyamide, Tread: elastic-tyre, non-marking, roller bearing

| Technical Data         |                |
|------------------------|----------------|
| Wheel diameter         | 125 mm         |
| Width of Tread         | 40 mm          |
| Centre hole            | 13 mm          |
| Offset                 | 40 mm          |
| Swivel Interference    | 205 mm         |
| Overall height         | 155 mm         |
| Temperature            | - 20 / + 80 °C |
| Standard               | EN 12532       |
| Weight                 | 1.091 kg       |
| Swivel Radius          | 102.5 mm       |
| Hardness of tread      | Shore A 64     |
| Load capacity          | 160 kg         |
| Load capacity (static) | 320 kg         |

|                      |   |   |   |   |   |
|----------------------|---|---|---|---|---|
| Roll performance     | + | + | + | + | + |
| Movement noise       | + | + | + | + | + |
| Attrition            | + | + | + | + | + |
| Corrosion resistance | + | + | + | + | + |



# Product Information



## 3470UFR125P30-13 (Blue)

EAN 4031582423242

