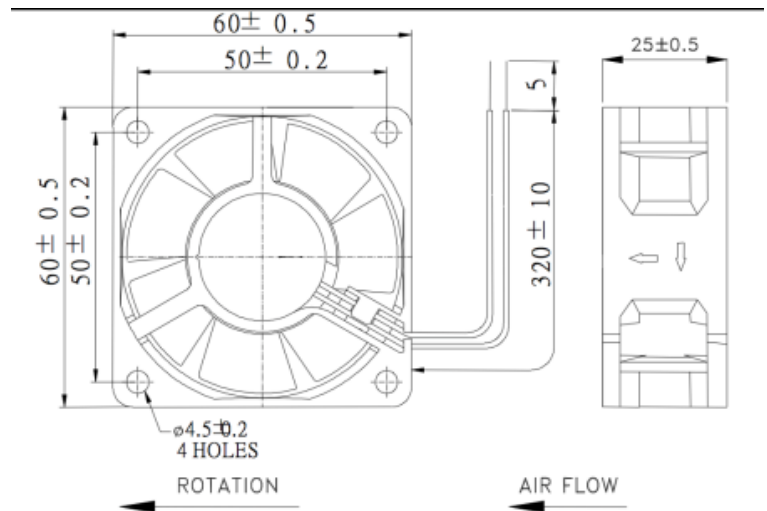


# Datasheet

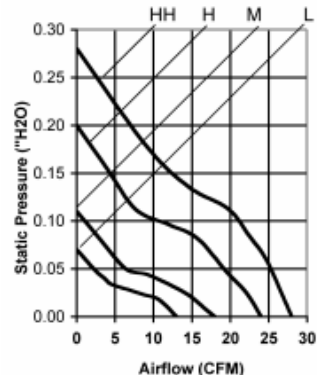
## DC Axial Fan, 60 x 60 x 25mm, 48m/h, 3.9W, 24 V dc

RS Stock number 789-7864

Dimensions: (mm)



### Specifications

Frame & Impeller	PBT, UL94V-O plastic	<b>Available Options:</b> Tachometer Alarm IP55 Life Expectancy (L10) Ball - 60,000 hrs (45C) Sleeve - 30,000 hrs (45C)  <b>Operating Temperature</b> Ball: -10 ~ 70C Sleeve: -10 ~ 60C	
Connection	2x Lead wires 24AWG		
Motor	Brushless DC, auto restart, polarity protected		
Bearing System	Ball bearing or Sleeve		
Insulation Resistance	10M ohm between leadwire and frame (500VDC)		
Dielectric Strength	1 second at 500 VAC, max leakage - 500 MicroAmp		

m1