

Panel feed-through terminal block - RWO 8-POT - 3056213

Please be informed that the data shown in this PDF Document is generated from our Online Catalog. Please find the complete data in the user's documentation. Our General Terms of Use for Downloads are valid (<http://phoenixcontact.com/download>)



Panel feed-through terminal block, Connection method: Bolt connection, Load current : 125 A, Cross section: 2.5 mm² - 35 mm², AWG 14 - 2, Connection direction of the conductor to plug-in direction: 0 °, Width: 20.3 mm, Color: gray

Why buy this product

- Easy grouping with engagement pin versions
- Both terminal halves can be easily assembled by simply snapping them together
- Molded versions ensure maximum tightness of seal
- Spring-loaded spacers protect the bolt connection against loosening
- Automatic compensation of the panel thickness via the snap principle integrated in the insulation housing



Key commercial data

| | |
|--------------------------------------|---|
| Packing unit | 10 pc |
| Minimum order quantity | 10 pc |
| GTIN |  4 046356 430920 |
| Weight per Piece (excluding packing) | 86.51 g |
| Custom tariff number | 85369010 |
| Country of origin | China |
| Note | Made to Order (non-returnable) |

Technical data

General

| | |
|---|-------|
| Number of levels | 1 |
| Number of connections | 2 |
| Color | gray |
| Insulating material | PA |
| Inflammability class according to UL 94 | V0 |
| Maximum load current | 125 A |
| Rated surge voltage | 6 kV |
| Pollution degree | 3 |

Panel feed-through terminal block - RWO 8-POT - 3056213

Technical data

General

| | |
|----------------------------------|---------------|
| Surge voltage category | III |
| Insulating material group | I |
| Connection in acc. with standard | IEC 60947-7-1 |
| Nominal current I _N | 125 A |
| Nominal voltage U _N | 1000 V |
| Open side panel | nein |
| Number of positions | 1 |

Dimensions

| | |
|-------|---------|
| Width | 20.3 mm |
|-------|---------|

Connection data

| | |
|--|-------------------------|
| Note | Connection bolts |
| Connection side | Level 1 above 1 below 1 |
| Connection method | Bolt connection |
| Conductor cross section solid min. | 2.5 mm ² |
| Conductor cross section solid max. | 35 mm ² |
| Conductor cross section stranded min. | 2.5 mm ² |
| Conductor cross section stranded max. | 35 mm ² |
| Conductor cross section AWG/kcmil min. | 14 |
| Conductor cross section AWG/kcmil max | 2 |
| Screw thread | M8 |
| Tightening torque, min | 4.5 Nm |
| Tightening torque max | 5 Nm |

Classifications

eCl@ss

| | |
|------------|----------|
| eCl@ss 4.0 | 27141111 |
| eCl@ss 4.1 | 27141111 |
| eCl@ss 5.0 | 27141134 |
| eCl@ss 5.1 | 27141134 |
| eCl@ss 6.0 | 27141134 |
| eCl@ss 7.0 | 27141134 |
| eCl@ss 8.0 | 27141134 |

ETIM

| | |
|----------|----------|
| ETIM 3.0 | EC001283 |
| ETIM 4.0 | EC001283 |
| ETIM 5.0 | EC001283 |

Panel feed-through terminal block - RWO 8-POT - 3056213

Classifications

UNSPSC

| | |
|---------------|----------|
| UNSPSC 6.01 | 30211811 |
| UNSPSC 7.0901 | 39121410 |
| UNSPSC 11 | 39121410 |
| UNSPSC 12.01 | 39121410 |
| UNSPSC 13.2 | 39121410 |

Approvals

Approvals


Approvals

UL Recognized / EAC

Ex Approvals

Approvals submitted

Approval details

| | | |
|---|-------|-------|
| UL Recognized  | | |
| | B | C |
| Nominal current I _N | 115 A | 115 A |
| Nominal voltage U _N | 600 V | 600 V |

| |
|-----|
| EAC |
|-----|

Accessories

Accessories

End cover

Flange cover - RW 8-F - 3075171



Flange cover, Color: gray

Panel feed-through terminal block - RWO 8-POT - 3056213

Accessories

Screwdriver tools

Screwdriver - SZS 1,0X6,5 VDE - 1205079



Screwdriver, slot-headed, VDE insulated, size: 1.0 x 6.5 x 150 mm, 2-component grip, with non-slip grip

Terminal marking

Marker for terminal blocks - TMT (EX9,5)R - 0828295



Marker for terminal blocks, Roll, white, unlabeled, can be labeled with: THERMOMARK ROLL, THERMOMARK ROLL X1, THERMOMARK X, THERMOMARK S1.1, Mounting type: Snap into universal marker groove, Snap into tall marker groove, Lettering field: 9.5 x 50000 mm

Zack marker strip - ZB 20,3:UNPRINTED - 0820248



Zack marker strip, Strip, white, unlabeled, can be labeled with: Plotter, Mounting type: Snap into tall marker groove, for terminal block width: 20.3 mm, Lettering field: 10.5 x 20.25 mm

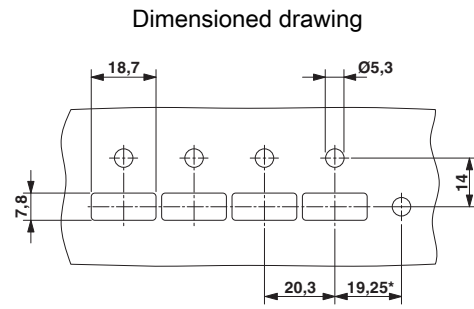
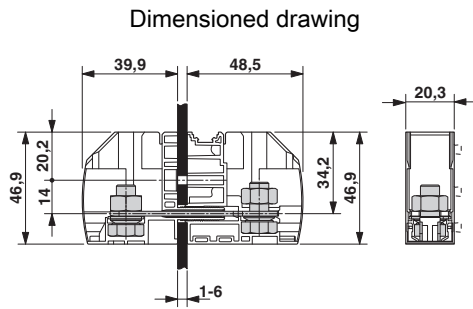
Zack marker strip - ZB 16,3:UNPRINTED - 0820222



Zack marker strip, Strip, white, unlabeled, can be labeled with: Plotter, Mounting type: Snap into tall marker groove, for terminal block width: 16.3 mm, Lettering field: 10.5 x 16.25 mm

Drawings

Panel feed-through terminal block - RWO 8-POT - 3056213



* Only when using the RW...-F flange plate