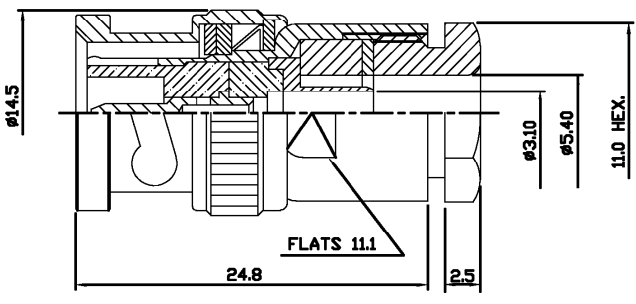


THIS DRAWING IS UNPUBLISHED. RELEASED FOR PUBLICATION 21-11-01. COPYRIGHT 2001 BY TYCO ELECTRONICS CORPORATION. ALL RIGHTS RESERVED.

LOC		DIST		REVISIONS			
E	B	P	LYR	DESCRIPTION	DATE	DWN	APWT
		A		RELEASE FOR PRODUCTION	21-11-01	AJB	FWK



△ SUPPLIED SEMI-ASSEMBLED (PACK CONTAINS LOOSE PIECES)
 VIEW SHOWS ASSEMBLED CONNECTOR (CABLE OMITTED)
 FOR CABLE TO CONNECTOR ASSEMBLY GUIDANCE
 REFER TO TYCO INSTRUCTION SHEET I.S. 411 - 3274

ALL DIMENSIONS ARE NOMINAL. FOR REFERENCE ONLY.

DIE SET PART NUMBER	N/A
HANDTOOL PART NUMBER	N/A
FOR USE ON CABLES	RG58C/U, 141A/U, URM43, 76, BELDEN 9907
CONNECTOR PLATING DETAIL	SILVER
CONTACT PLATING DETAIL	SILVER
DIELECTRIC MATERIAL	TEFLON
GASKET MATERIAL	WHITE SILICONE RUBBER

THIS DRAWING IS A CONTROLLED DOCUMENT.		DMN A BEKEN 21-11-01	Tyco Electronics Corporation Stanmore, Middlesex, HA7 4RS	
DIMENSIONS:	TOLERANCES UNLESS OTHERWISE SPECIFIED:	DRK R.G 21-11-01	APVD F W-KING 21-11-01	NAME BNC STRAIGHT PLUG SOLDER (PS) RG58 50 ohm
MM	0 PL/C ± - 1 PL/C ± - 2 PL/C ± - 3 PL/C ± - 4 PL/C ± - ANGLES ± -	PRODUCT SPEC 108-3435	APPLICATION SPEC	SIZE A3
MATERIAL	FINISH	WEIGHT	CAGE CODE 00779	DRAWING NO 1478401
			CUSTOMER DRAWING	RESTRICTED TO
			SCALE NTS	SHEET 1 OF 1
				REV A