

Wolflite XT Rechargeable LED Handlamp

Zones: 0, 1 and 2



Product Overview

The Wolflite XT Rechargeable Handlamp exploits advanced technology to deliver excellent performance, robustness, reliability and versatility in the harshest environments and is CE marked to the ATEX Directive and IECEx Certified, for safe use in Zone 1 potentially explosive gas atmospheres, where a T4 temperature class permits. A Zone 0 version is available.

Bespoke optics coupled with the highest performance 'fitted for life' LED light sources deliver an outstanding light output from the high intensity spot beam (Standard model), switchable to a wide-angle flood (Performance model) and additional coloured signal LEDs (Performance+ model). It has easy single-handed switching, even with gloved hands, allowing straightforward function selection.

Battery duration varies by model, from 4 hours of high output light (XT-50) to 11 hours (XT-90); selecting powersave doubles this duration. State of battery charge is indicated with a bar of high intensity red LEDs, which go out as battery charge diminishes and the beam flashes off repeatedly when recharging is required. Use of the latest lithium-ion battery technology improves reliability and eliminates 'memory' affect and the 'quick' charger base fully recharges the Handlamp in a minimum of 2 hours, dependent on model, and is configured as a holder with 'snap-in/snatch-out' function, for quick release but secure retention. Emergency illumination function illuminates Handlamp if power to the charger is cut.

The compact and lightweight high strength body has proven impact resistance even at sub zero temperatures; enhanced by rubber armoured lens ring, and handle/sides give improved grip and shock protection. The lens is resistant to scratches and chemical attack; the enclosure is electrostatic nonhazardous and sealed dust tight and protected from water immersion to IP67.

Features & Benefits

- ATEX and IECEx certified for use in Zone 1 hazardous areas
- Ultra bright high power LED light 350+ lumens
- Spot and flood switchable beam options
- Up to 11 hours duration on full power, 22 hours in powersave mode
- IP67 dust and watertight
- Integral stand for hands free beam direction
- Quick charge, from 2 hours
- Emergency illumination power fail mode
- Zone 0 version available
- Supplied with shoulder carrying strap
- Suitable for cyclic and short and long term standby applications

Certifications



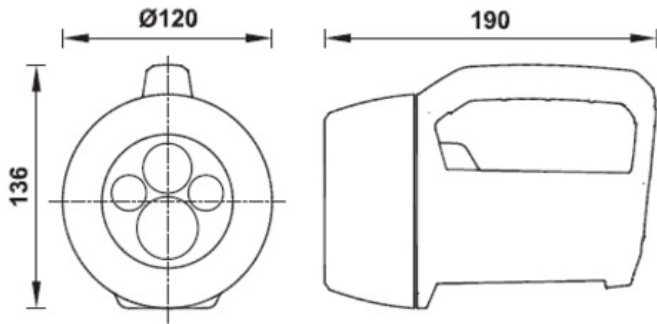
1180

Technical Specification

Product Reference		XT-50	XT-70	XT-90	XT-75
Product Description		Rechargeable Safety Handlamp			
		Standard	Performance	Performance+	Performance
Code (ATEX & IECEx)	Industrial	II 2G Ex ib IIC T4 Gb			II 1G Ex ia IIC T4 Ga
	Mining	I M2 Ex ib I Mb IP67			I M1 Ex ia I Ma IP67
Equipment Category		2G			1G
Type of Protection		"ib" intrinsic safety			"ia" intrinsic safety
Area of Classification (Gases)		Zones 1 and 2 Gas Groups IIA, IIB & IIC			Zones 0,1 and 2 Gas groups IIA, IIB & IIC
Temp. Classification (Gases)		T4			
Ambient Temperature		-20°C to +40°C			
Certificate		ATEX Baseefa09ATEX0326 / IECEx BAS 09.0153			
Enclosure		Impact resistant thermoplastic, electrostatic non-hazardous			
Lens		Toughened glass			
Beam Type		Spot	Spot/Flood	Spot/Flood/Signal	Spot/Flood
Light Source:	Type	High Power LED			
	Quantity	1 x White	2 x White	2 x White, 2 x Coloured	2 x White
	Output	350+ lm (White)			
	Life	25,000+ hrs			
Power Source:	Type	Rechargeable battery, Lithium-Ion			
	Part No.	XT-202	XT-204	XT-206	XT-204
	Life	Up to 500 recharge cycles			
Light Duration		Up to 4.0 / 8.0hrs	Up to 7.5 / 15.0hrs	Up to 11.0 / 22.0hrs	Up to 7.5 / 15.0hrs
Ingress Protection		IP67 to EN60529: 1992			
Weight		1.2Kg			
Compatible Charger		XT-200L 12-24Vdc / XT-200H 90V-254Vac			
Recharge Time		2.0 hrs	3.5 hrs	4.5 hrs	3.5 hrs

- All information has been gathered under laboratory conditions, the user must regard the values given as approximate.
- Changes may be made to the above specification without notification, details are available on request.

Product Dimensions



Light Output

XT-50, XT-70, XT-90 - Spot Beam (approx 3.5°) with a low power Fringe Beam (approx 50°)

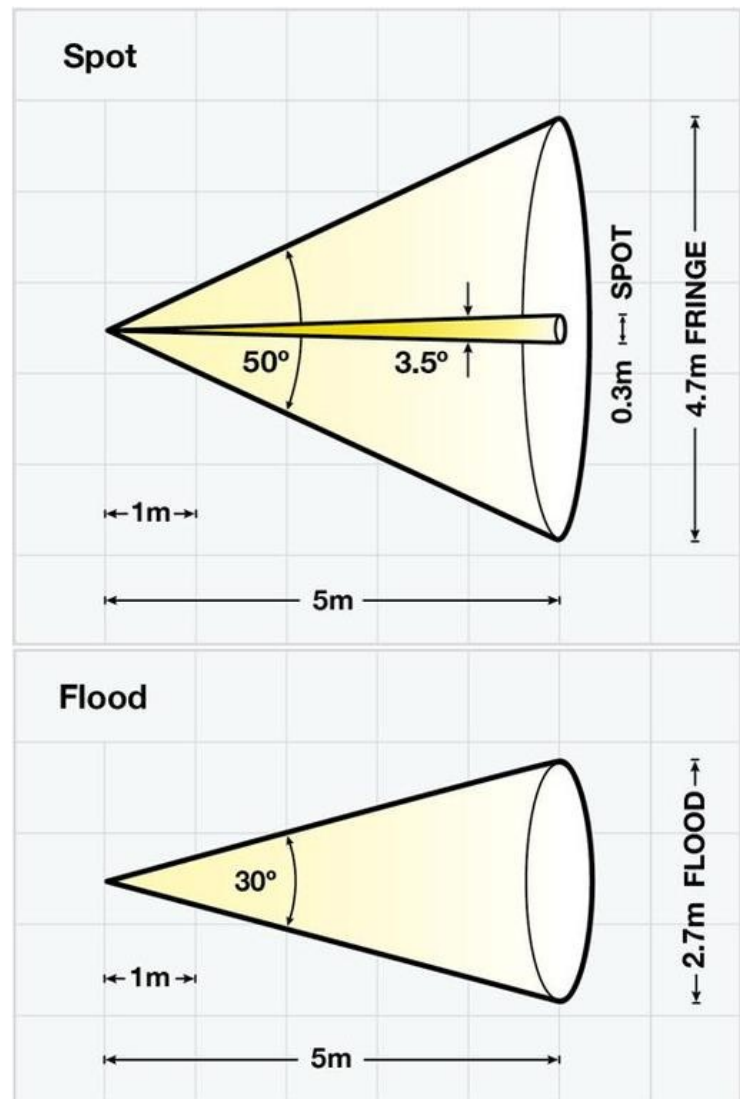
Peak luminous intensity, high power at 1m **13,130 lux**, at 5m **620 lux**

Peak luminous intensity, 'powersave' at 1m **8,050 lux**, at 5m **370 lux**

XT-70, XT-90 - Flood Beam (approx 30°)

Peak luminous intensity, high power at 1m **260 lux**, at 5m **14 lux**

Peak luminous intensity, 'powersave' at 1m **150 lux**, at 5m **9 lux**



Version: DF348 SL024 Issue 7



Wolf Safety Lamp Company, Saxon Road Works, Sheffield, S8 0YA, UK

T: +44 (0) 114 255 1051

F: +44 (0) 114 255 7988

E: info@wolf-safety.co.uk

www.wolf-safety.co.uk

ISO 9001

BUREAU VERITAS
Certification

