

Product Information & News

Viper 4-tone High Output Sounder

Part no: VPR-SA3-R (red) & VPR-SA3-W (white)

Description

The VPR-SA3 electronic sounder has been added to the Viper range for applications that require more sound output from the existing VPR-SA2 housing.

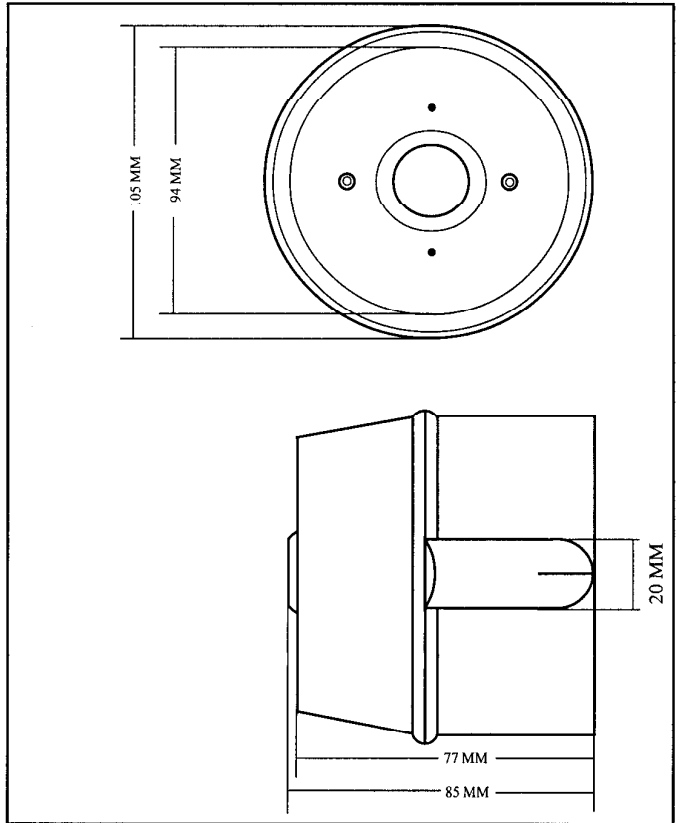
With an operating frequency of 800 to 1000 Hz, the VPR-SA3 sounder provides sound within the frequency range specified by BS 5839. Each VPR-SA3 sounder also has a wide operating voltage of 8-35 volts d.c.

Tones are available by selecting either warble, sweep or pips via the jumper fitted to the pcb. A second stage continuous alarm is also available by wiring to the additional terminals so that when power is applied the continuous tone operates.

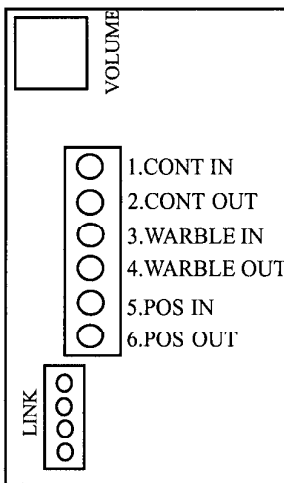
The sounder case material is ABS and is supplied as standard in red. A white version is also available.

Each sounder is supplied with its own mounting base which contains two M20 knockouts.

Dimensions



Installation Details



Technical Details

Sound Output @ 1 metre (26v dc)	:	107 dB(a)
Current Consumption @ 26v dc	:	c.18 mA
Voltage Range	:	8-35v dc
Number of Tones	:	4
Volume Control	:	-30 dB(a)
Weatherproofing	:	IP 65
Weight (per unit packed)	:	200g

Cranford Controls Ltd Unit A1 Blacknest Industrial Estate Blacknest Alton Hants GU34 4PX
Tel: +44 (0) 1420 520520 Fax: +44 (0) 1420 520521 E-mail: sounder@cclb.demon.co.uk