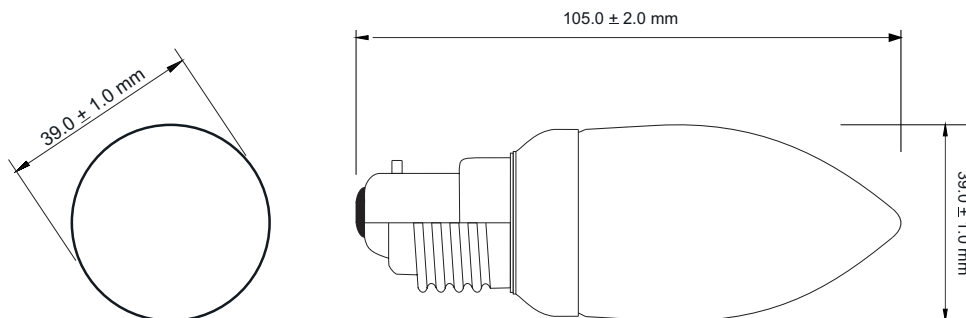




DIMENSIONS (mm)



Cap Type: E27 -IEC60061-1 sheet -7004-21
Cap Type: B22d -IEC60061-1 sheet -7004-10

<u>ELECTRICAL DATA</u> ¹		<u>Nominal Value</u>	<u>Min.</u>	<u>Max.</u>
Lamp rated wattage	(W) :	7W		7.7W
Lamp operating voltage (rms)	(V) :	230-240V		
Lamp current	(mA) :	61 mA		
Power Factor	:		0.55	
OPERATING CONDITIONS:				
Cap Rim temperature	(°C) :			80
Lamp Ambient Temperature	(°C) :	25	-10	50
Operating Position	:	Unrestricted		
Weight	(g) :	42g		
PERFORMANCE SPECIFICATIONS :				
Starting time at 25°C	(s) :			2.0
Warm up Time to 60% stablized light output	(s) :			120
² Switching Cycles (to 50% Failure)	:		10000	
LAMP LIFE ³				
Average life (IEC Test Cycle)	(h) :	10000		

<u>PHOTOMETRIC DATA:</u>	colour no.	Luminous Flux nominal value (lm)	CRI (Class)	Colour Temp. (K)	Energy Efficiency Class	ILCOS Code
Homelight Deluxe	827	300	1b	2700	A	FBT-07/27/1b-E27-39/105
Homelight Deluxe	827	300	1b	2700	A	FBT-07/27/1b-B22-39/105
Cool white Deluxe	840	300	1b	4000	A	FBT-07/40/1b-E27-39/105
Cool white Deluxe	840	300	1b	4000	A	FBT-07/40/1b-B22-39/105

Attention: Lamps comply with EN 60 968 (Safety Requirements) and EN 60 969 (Performance Requirements) and CE Regulations.

¹ Measured according to EN 60 969, at 50 Hz, lamp aged 100h.

² Switching Cycle ON time 60s; OFF time 180s, at rated Voltage.

³ Life test according to EN 60 969.



Hg
3.5mg

Issued by : R & D Noida
Date : 20.06.2011
Revision Date :

DATA SHEET

Specification No. : LD0009
Supersedes :
Page : 1 of 1