

Signal conditioner - MCR-PS- 24DC-10DC - 2766685

Please be informed that the data shown in this PDF Document is generated from our Online Catalog. Please find the complete data in the user's documentation. Our General Terms of Use for Downloads are valid (<http://phoenixcontact.com/download>)



MCR constant voltage source, input voltage 18 - 30 V DC, output voltage 10 V DC

Why buy this product

- Voltage reference for setpoint definition in conjunction with potentiometers



Key commercial data

Packing unit	1 pc
GTIN	 4 017918 066796
Weight per Piece (excluding packing)	110.0 g
Custom tariff number	85044082
Country of origin	Germany
Note	Made to Order (non-returnable)

Technical data

Dimensions

Width	12.5 mm
Height	99 mm
Depth	114.5 mm

Ambient conditions

Ambient temperature (operation)	-20 °C ... 65 °C
---------------------------------	------------------

Input data

Current consumption	approx. 10 mA (with no load on the output)
---------------------	--

Output data

Nominal output voltage	+ 10 V DC \pm 0,1%
Output current	\leq 30 mA
Residual ripple	\leq 50 mV _{PP}

Signal conditioner - MCR-PS- 24DC-10DC - 2766685

Technical data

Output data

Short-circuit current	approx. 65 mA
-----------------------	---------------

General

Mounting position	any
-------------------	-----

Connection data, input

Connection method	Pluggable screw connection
Conductor cross section solid min.	0.2 mm ²
Conductor cross section solid max.	2.5 mm ²
Conductor cross section stranded min.	0.2 mm ²
Conductor cross section stranded max.	2.5 mm ²
Conductor cross section AWG/kcmil min.	24
Conductor cross section AWG/kcmil max	14
Stripping length	8 mm
Screw thread	M3

Connection data, output

Connection method	Pluggable screw connection
Conductor cross section solid min.	0.2 mm ²
Conductor cross section solid max.	2.5 mm ²
Conductor cross section stranded min.	0.2 mm ²
Conductor cross section stranded max.	2.5 mm ²
Conductor cross section AWG/kcmil min.	24
Conductor cross section AWG/kcmil max	14
Stripping length	8 mm

Classifications

eCl@ss

eCl@ss 4.0	27200303
eCl@ss 4.1	27200303
eCl@ss 5.0	27200303
eCl@ss 5.1	27200303
eCl@ss 6.0	27200303
eCl@ss 7.0	27142316

ETIM

ETIM 2.0	EC001039
ETIM 3.0	EC001039
ETIM 4.0	EC000599
ETIM 5.0	EC002540

Signal conditioner - MCR-PS- 24DC-10DC - 2766685

Classifications

UNSPSC

UNSPSC 6.01	30211506
UNSPSC 7.0901	39121008
UNSPSC 11	39121008
UNSPSC 12.01	39121008
UNSPSC 13.2	39121008

Approvals

Approvals

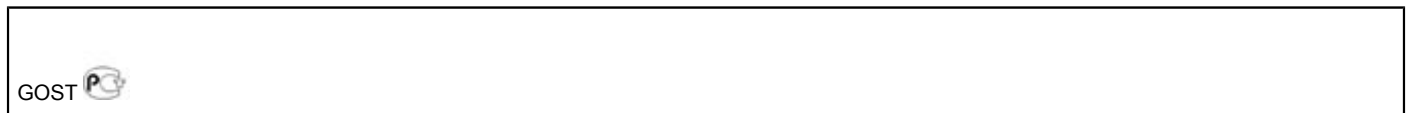
Approvals

GOST

Ex Approvals

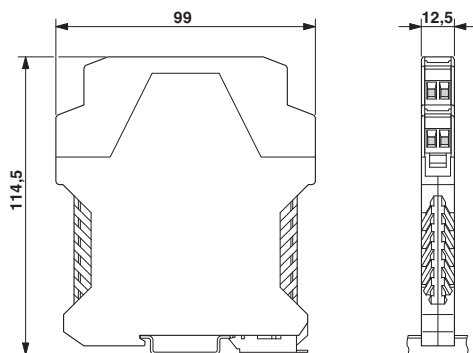
Approvals submitted

Approval details



Drawings

Dimensioned drawing



Circuit diagram

