


**Ordering number CA13014\_SIRI-DIFF**

Family	Siri	FWHM	139 degrees
Type	Assembly	Efficiency	94 %
LED	NS9x383	cd/lm	0.250
Color	Clear	Gerber File	Available
Diameter	13.9 + 13.9 mm		
Height	5.3 mm		
Style	Square		
Optic Material	PMMA		
Holder Material	-		
Fastening	Tape		
Status	Ready		

**Ordering number CA13013\_SIRI-DOME**

Family	Siri	FWHM	144 degrees
Type	Assembly	Efficiency	97 %
LED	NS9x383	cd/lm	0.246
Color	Clear	Gerber File	Available
Diameter	13.9 + 13.9 mm		
Height	5.3 mm		
Style	Square		
Optic Material	PMMA		
Holder Material	-		
Fastening	Pin, tape		
Status	Ready		

**NOTE: The typical divergence will be changed by different color, chip size and chip position tolerance. The typical total divergence is the full angle measured where the luminous intensity is half of the peak value.**



## PRODUCT DATASHEET

### Siri series

last update 27/3/2013



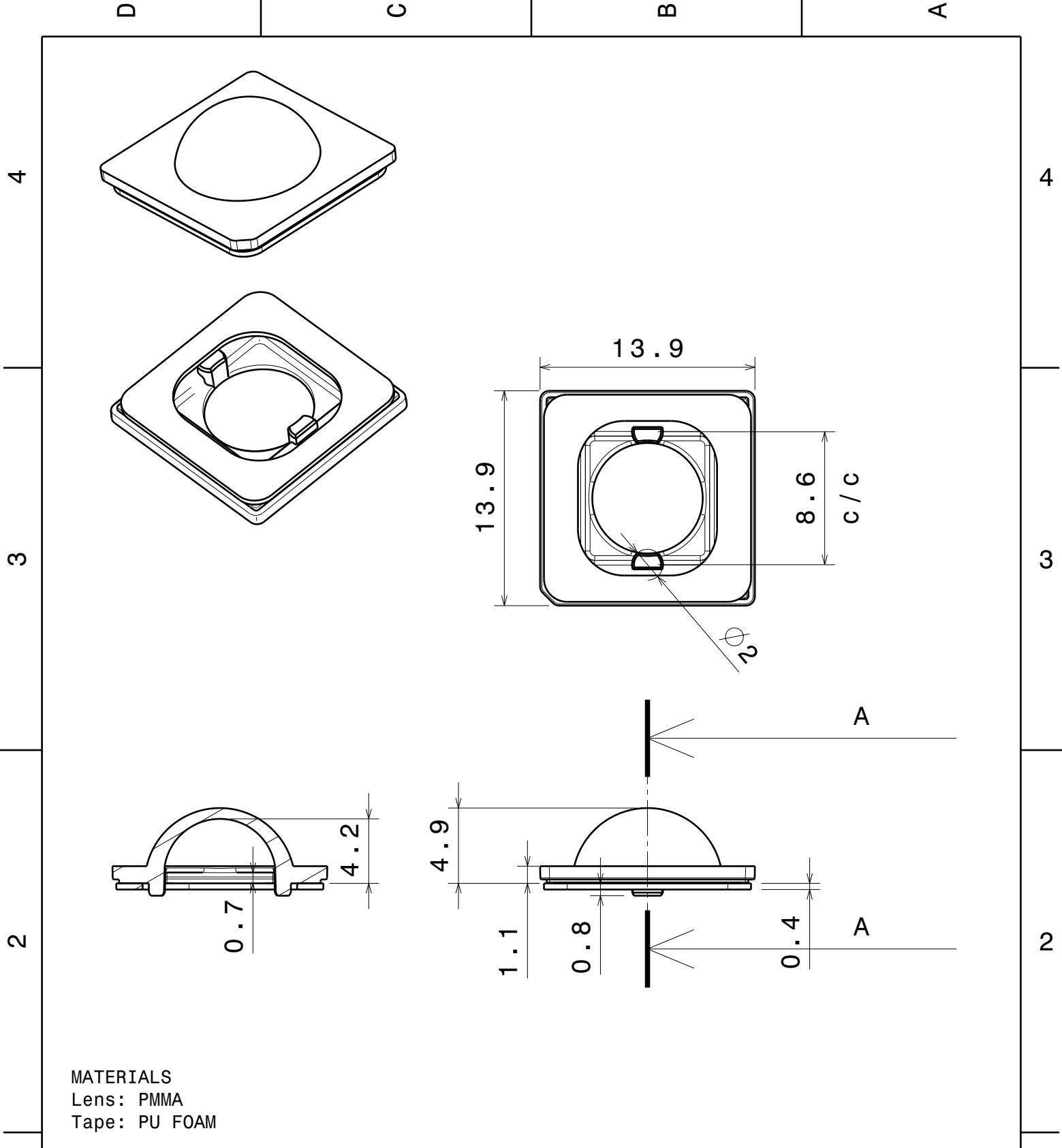
#### GENERAL INFORMATION

- Product series especially designed & optimized for NS9x383 series of LEDs.
- Special care taken to make light distribution as uniform as possible.
- Lens material optical grade PMMA with high UV and temperature resistance. Allows use of high current and temperature conditions.

Please find more information about used material from below:

[http://ledil.fi/sites/default/files/Documents/Technical/Material/PMMA%20N%20UL94\\_Yellow%20Card.pdf](http://ledil.fi/sites/default/files/Documents/Technical/Material/PMMA%20N%20UL94_Yellow%20Card.pdf)

<http://ledil.fi/sites/default/files/Documents/Technical/Material/PMMA%20N%20PLEXIGLAS-Datasheet.pdf>



MATERIALS  
 Lens: PMMA  
 Tape: PU FOAM

This drawing is our property.  
 It can't be reproduced  
 or communicated without  
 our written agreement.



Ledil Oy  
 Salorankatu 10  
 FIN 24240 SALO  
 Finland

Ledil Oy  
 Salorankatu 10  
 FIN-24100 SALO  
 Finland

DRAWING TITLE

Datasheet SIRI-DOME/-DIFF assy

DRAWN BY	DATE
as	23.07.2012
CHECKED BY	DATE
ol	23.07.2012
DESIGNED BY	DATE
pv	23.11.2011

SIZE	PART NUMBER	REV
A4		001
SCALE	1:1	WEIGHT
		SHEET 1/1

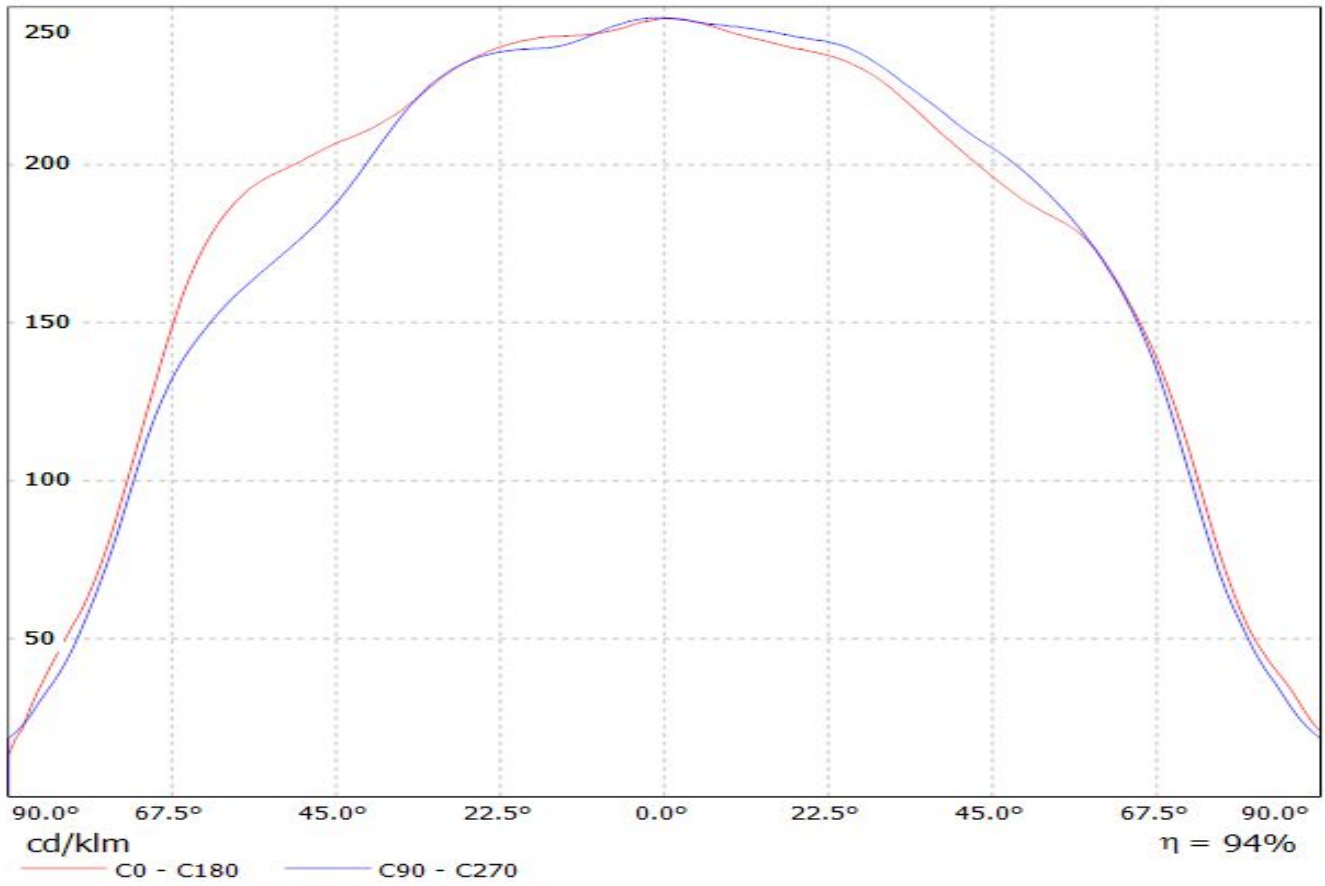
1

1

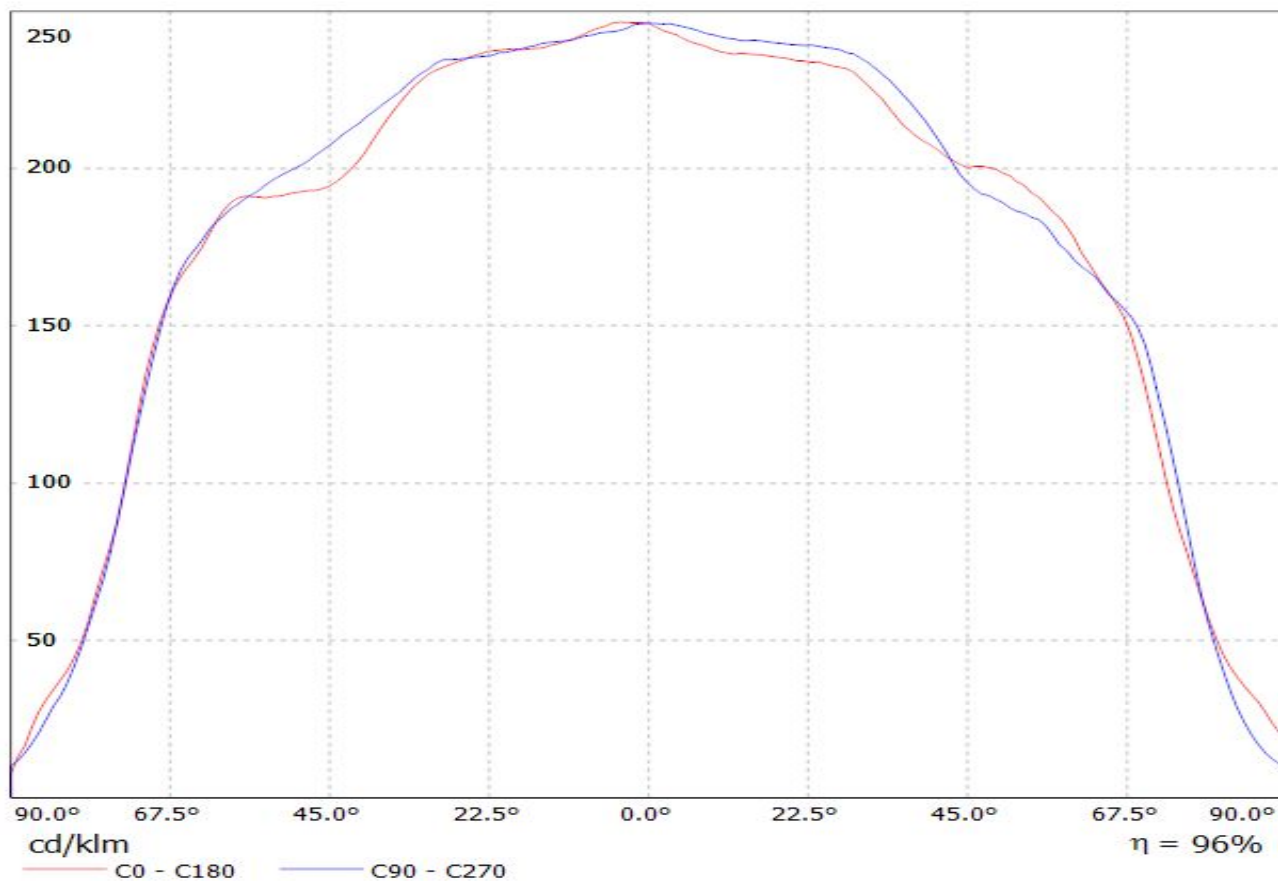
D

A

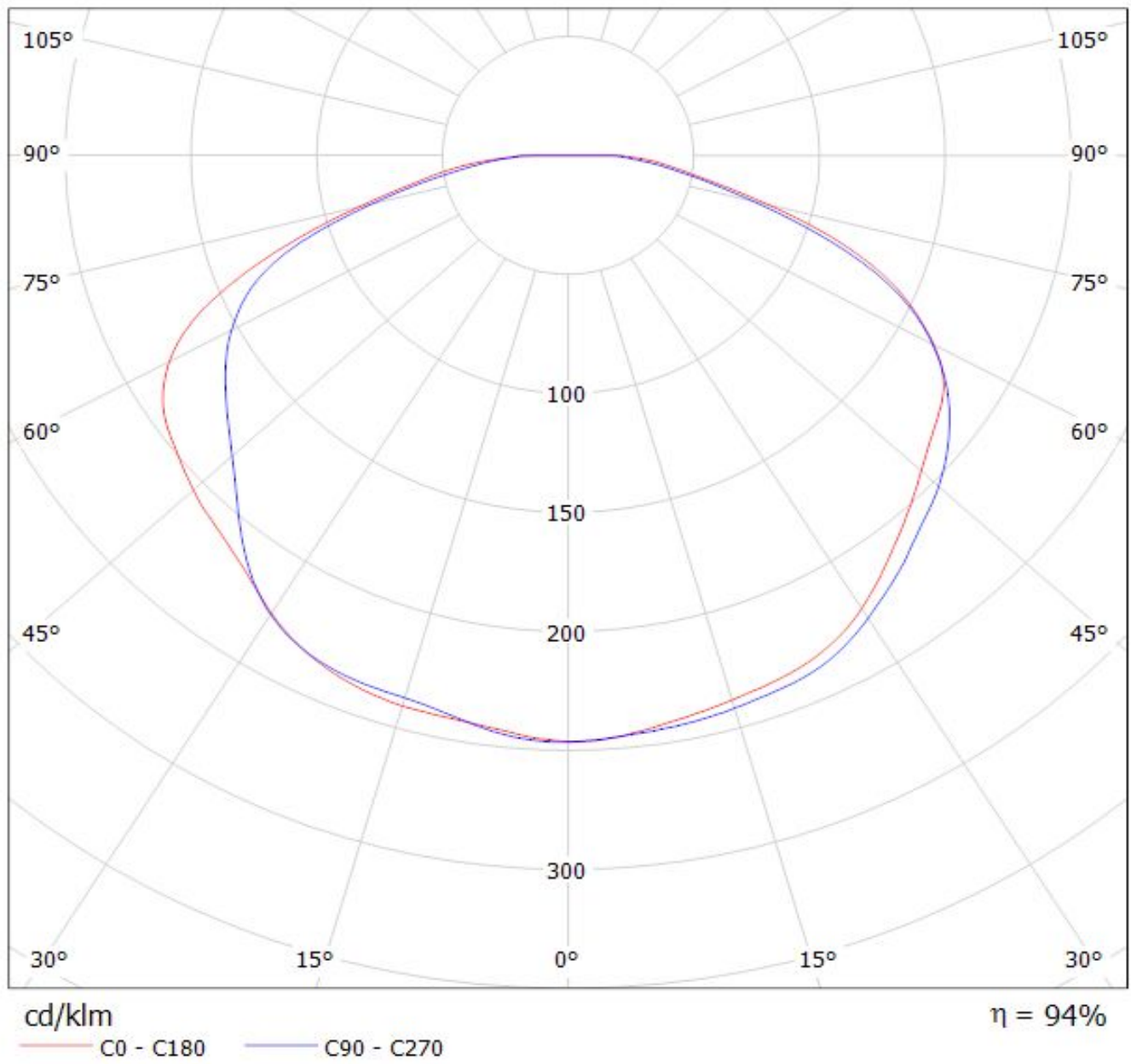
Luminaire: LEDiL Oy CA13014\_SIRI-DIFF\_(NS9x383) Eff 93,8%  
Lamps: 1 x Nichia NS9x383 (105lm@250mA)



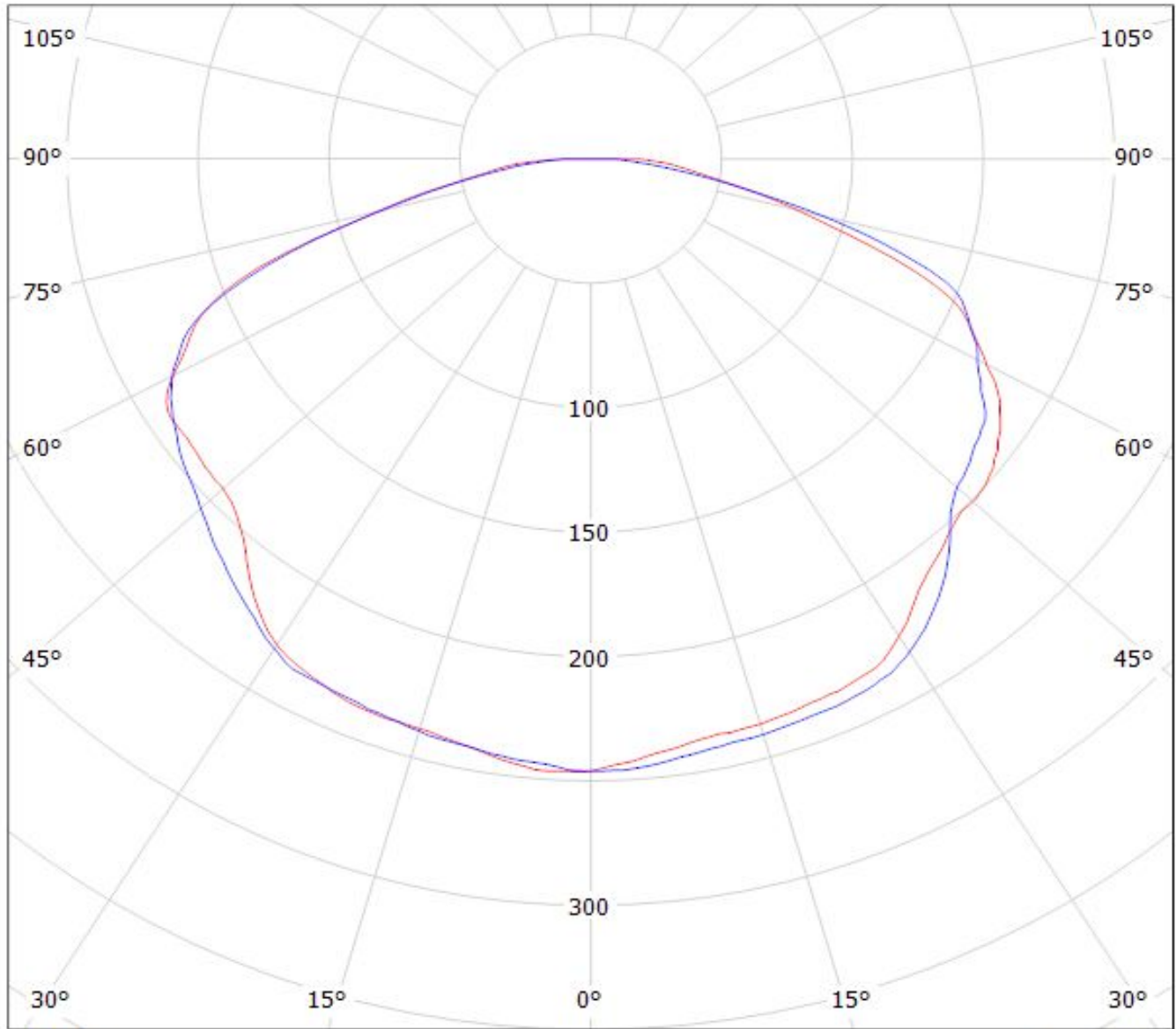
Luminaire: LEDiL Oy CA13013\_SIRI-DOME\_(NS9x383) Eff 96,4%  
Lamps: 1 x Nichia NS9x383 (105lm@250mA)



Luminaire: LEDiL Oy CA13014\_SIRI-DIFF\_(NS9x383) Eff 93,8%  
Lamps: 1 x Nichia NS9x383 (105lm@250mA)



Luminaire: LEDiL Oy CA13013\_SIRI-DOME\_(NS9x383) Eff 96,4%  
Lamps: 1 x Nichia NS9x383 (105lm@250mA)



cd/klm  
— C0 - C180    — C90 - C270

$\eta = 96\%$