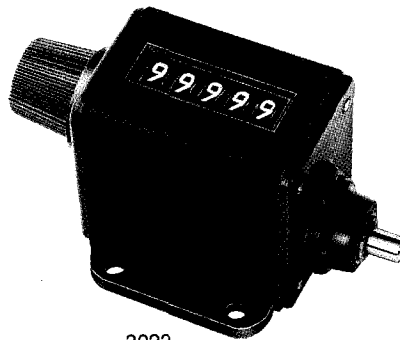
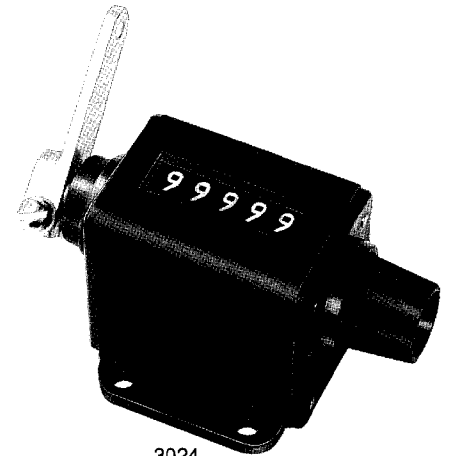


1

Small resettable revolution and stroke totalisers 3023 and 3024



3023



3024

These are small, reliable, low cost totalisers for counting revolutions or strokes. They are constructed for continuous operation and provide accurate, long term, trouble free service.

- 5 digit 47mm (0.187in) readout.
- Up to 1000 counts per minute.
- Knob operated reset to zero.
- Solid stroke lever as standard (3024).

The compact revolution counters add in both directions.

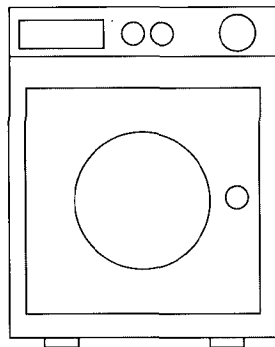
The units are available with the drive shaft to the left or the right and the reset is opposite to the drive. Stroke counters are available as top coming (TC) or top going (TG).

All stroke counters have a spring loaded mechanism which returns the stroke arm (supplied) ready for the next stroke action. Optionally, a spring loaded knuckle jointed stroke arm is available which also bends part way along its length in the opposite direction to the stroke movement. This allows the activating mechanism to return without damaging the counter. The knuckle jointed arm is used instead of the standard stroke arm and is available to special order.

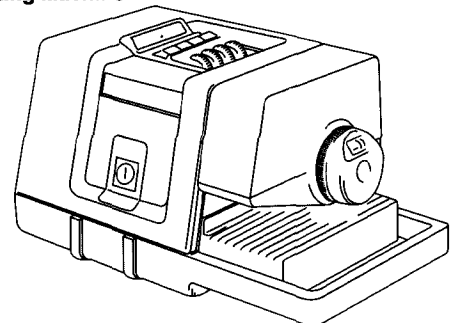
Typical Applications

- *Machine cycle counting
- *Spooling
- *Photocopier
- *Coin counting

Coin-operated Laundry



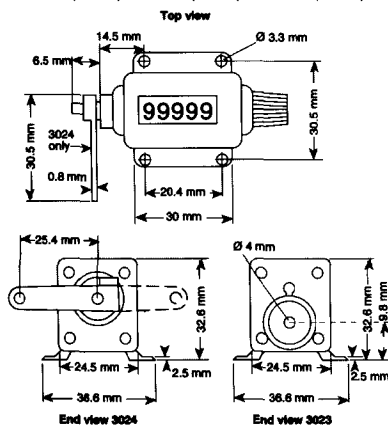
Franking Machine



Dimensions

3023 and 3024

33.5mm (1.32in)H 64mm (2.52in)W 37mm (1.46in)D



Specification

Display
4.8mm (0.19in) high figures. White on black

Mounting Base Material
Glass filled nylon

Cover Material
Glass filled nylon

Drive Shaft Diameter
4mm (0.157in)

Bearing Surface
Acetal (No lubrication required)

Operating Torque
220g.cm (3oz.in) for 3023, 580g.cm (8oz.in) for 3024

Maximum Shaft Speed (3023)
1000RPM

Maximum Count Speed (3024)
1000CPM

Operating Temp. -10°C to +60°C

Storage Temp. -20°C to +70°C

Environmental Protection
IP40

Nett Weight 35g

Packed Weight 45g

Packed Dimensions
6.5 x 4 x 4cm

Ordering Information

Order by type number- enclosing a completed photocopy of the questionnaire at the back of this catalogue to supply the necessary additional information.

- 3023-1 Compact Revolution Counter with left drive
- 3023-2 Compact Revolution Counter with right drive
- 3024-1 Compact Stroke Counter with left drive, TC
- 3024-2 Compact Stroke Counter with left drive, TG
- 3024-3 Compact Stroke Counter with right drive, TC
- 3024-4 Compact Stroke Counter with right drive, TG

001854-01 Knuckle jointed stroke arm