


REL-OR- 24DC/3X21

Order No.: 2834274



Pluggable octal relay with power contacts, 3 PDT, test button,
mechanical switching position indication, coil voltage 24 V DC

Commercial data

EAN	 4 017918 941772
Pack	10
Customs tariff	85364190
Gross weight in pieces	99.37 g
Country of Origin	CN
Catalog page information	Page 70 (IF-2011)

Product notes

WEEE/RoHS-compliant since:
07/09/2006



Please note that the data given here has been taken from the online catalog. For comprehensive information and data, please refer to the user documentation at <http://www.download.phoenixcontact.com>. The General Terms and Conditions of Use apply to Internet downloads.

Technical data**Coil side**

Nominal input voltage U_N	24 V DC
Nominal input current at U_{IN}	56 mA
Typical response time	12 ms
Typical release time	6 ms
Coil resistance	430 Ω +/-15% (at 20 °C)

Contact side

Contact type	Single contact, three PDTs
Contact material	AgSnIn
Maximum switching voltage	250 V AC/DC
Minimum switching voltage	1 V
Maximum inrush current	(on request)
Min. switching current	10 mA
Limiting continuous current	10 A (N/O contact) 5 A (N/C contact)
Interrupting rating (ohmic load) max.	2500 VA (for 250 V AC)

General data

Width	34.5 mm
Height	34.5 mm
Depth	52.5 mm
Test voltage relay winding/relay contact	2.5 kV AC (50 Hz, 1 min.)
Test voltage relay contact/relay contact	2.5 kV AC (50 Hz, 1 min.)
Ambient temperature (operation)	-40 °C ... 60 °C
Ambient temperature (storage/transport)	-40 °C ... 60 °C
Operating mode	100% operating factor
Mechanical service life	10 x 10 ⁶ cycles
Standards/regulations	IEC 60664
Pollution degree	3
Surge voltage category	II
Mounting position	Any
Assembly instructions	On relay base PR3

Connection data

Connection method	Plug connection
-------------------	-----------------

Certificates

Certification

cULus Recognized

Certifications applied for:

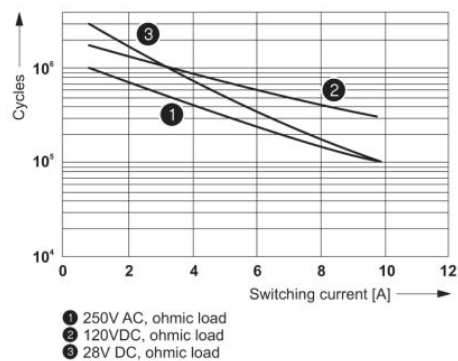
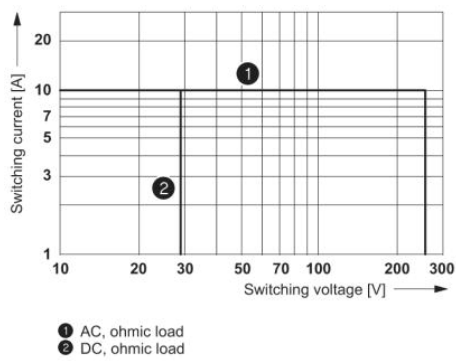
Certification Ex:

Additional products

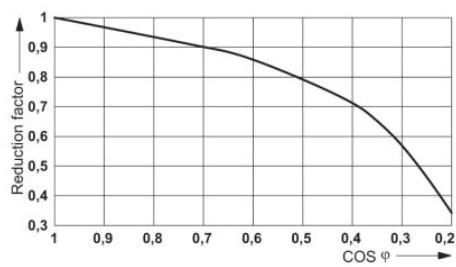
Item	Designation	Description
General		
2833615	PR3-BSC1/3X21	Relay socket PR3..., for octal relay REL-OR with 3 PDT, screw connections, connection facility for input/interference suppression modules, for mounting on NS 35/7.5

Drawings

Diagram



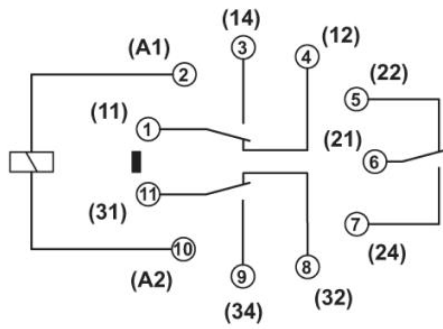
Interrupting rating



Electrical service life

Service life reduction factor with various cos phi

Circuit diagram



Address

PHOENIX CONTACT Ltd
Halesfield 13
Telford / Shropshire / TF7 4PG,England
Phone 01952 681 700
Fax 01952 681 799
<http://www.phoenixcontact.co.uk>



Phoenix Contact Ltd.
Technical modifications reserved;