

REV ISIONS		DATE	OWN	APPD
P	LYR			
A		22JUL2010	TR	KZ
B		01JUL2011	PP	LJ

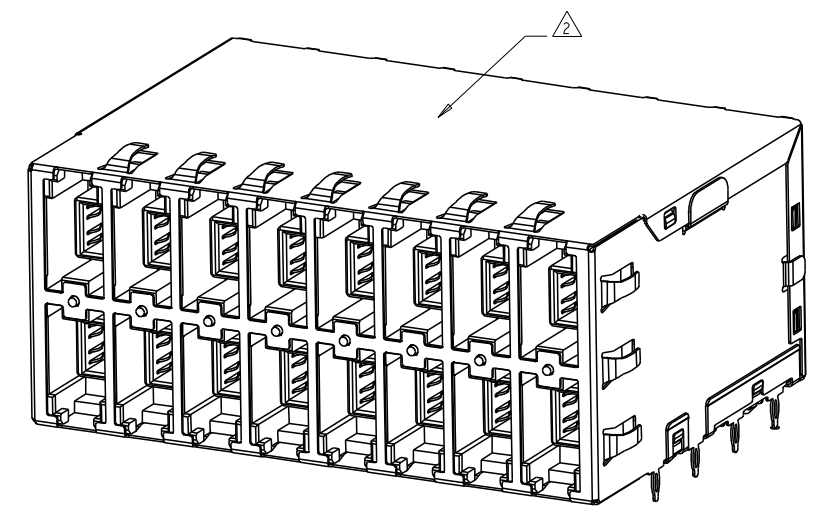
- MATERIAL:
 HOUSING: BLACK, THERMOPLASTIC, RATED UL 94V-0.
 SHIELD: COPPER ALLOY WITH NICKEL PLATING.
 CONTACTS: PHOSPHER BRONZE.
 CONTACT PLATING: 0.05µm MIN GOLD OVER
 0.76µm MIN PALLADIUM-NICKEL, AT MATING
 INTERFACE CONTACT AREA.
- TE LOGO, PART NUMBER, DATE CODE AND
 COUNTRY OF ORIGIN, SHOWN APPROXIMATE AREA.
- MAGNETICS:
 - APPLICATION: 10/100/1000 BASE -T
 - IMPEDANCE: 100 OHMS
 - TRANSMIT OPEN CIRCUIT INDUCTANCE (OCL): 350µH (MIN)
 @100KHZ, 0.1 VRMS WITH 8mA DC BIAS
 FOR EACH TRANSFORMER OVER T=0°C-+70°C.
 - TURNS RATIO (CHIP:CABLE): 1:1 ALL PAIRS
 PERFORMANCE:
 - ALL PAIRS ARE BI-DIRECTIONAL

- LED IS DRIVEN WITH CURRENT AT APPROX 20 mA
 DOMINANT WAVELENGTH (λD): GREEN 573 nm TYP AT IF=20mA
 FORWARD VOLTAGE (VF): GREEN 2.0V TYP at IF=20mA
 DOMINANT WAVELENGTH (λD): RED 624 nm TYP AT IF=20mA
 FORWARD VOLTAGE (VF): RED 2.0V TYP at IF=20mA
 DOMINANT WAVELENGTH (λD): YELLOW 589 nm TYP AT IF=20mA
 FORWARD VOLTAGE (VF): YELLOW 2.0V TYP at IF=20mA
- RECOMMENDED MIN PCB THICKNESS 1.5mm (.062").
- OPERATING TEMPERATURE: FROM 0°C TO 70°C.
- DATUM AND BASIC DIMENSION ESTABLISHED BY CUSTOMER.
- FOR HOLE SIZE AND PLATINGS, SEE SHEET 5.

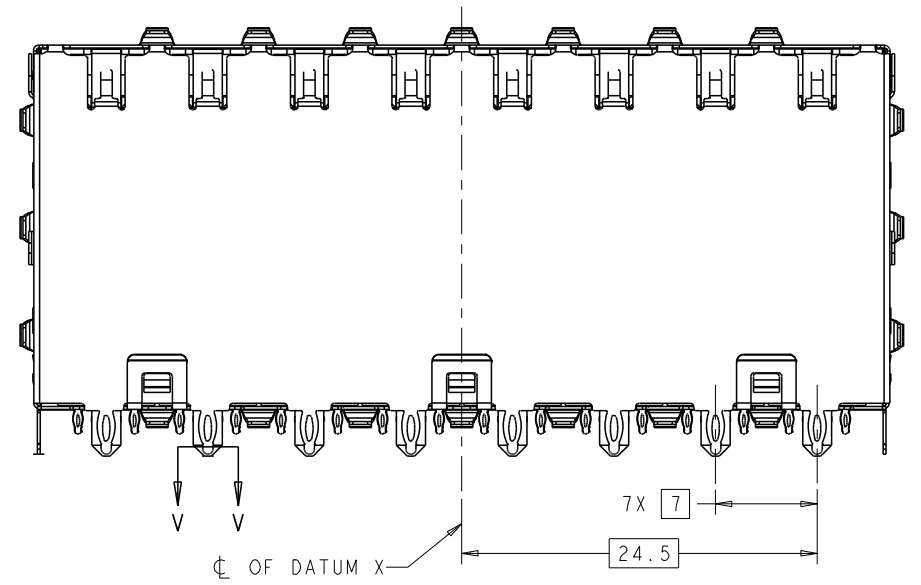
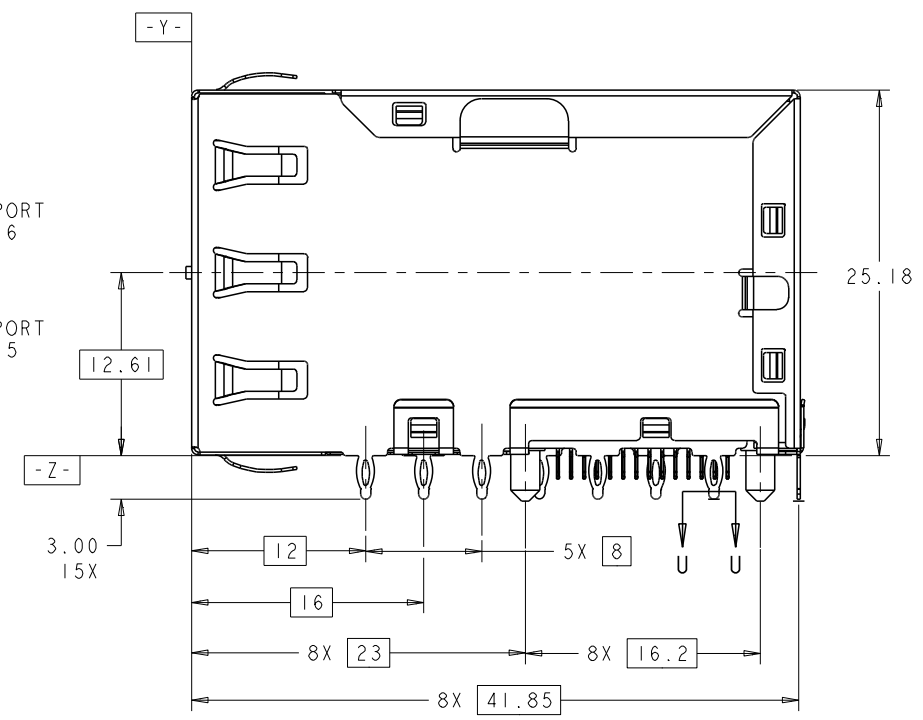
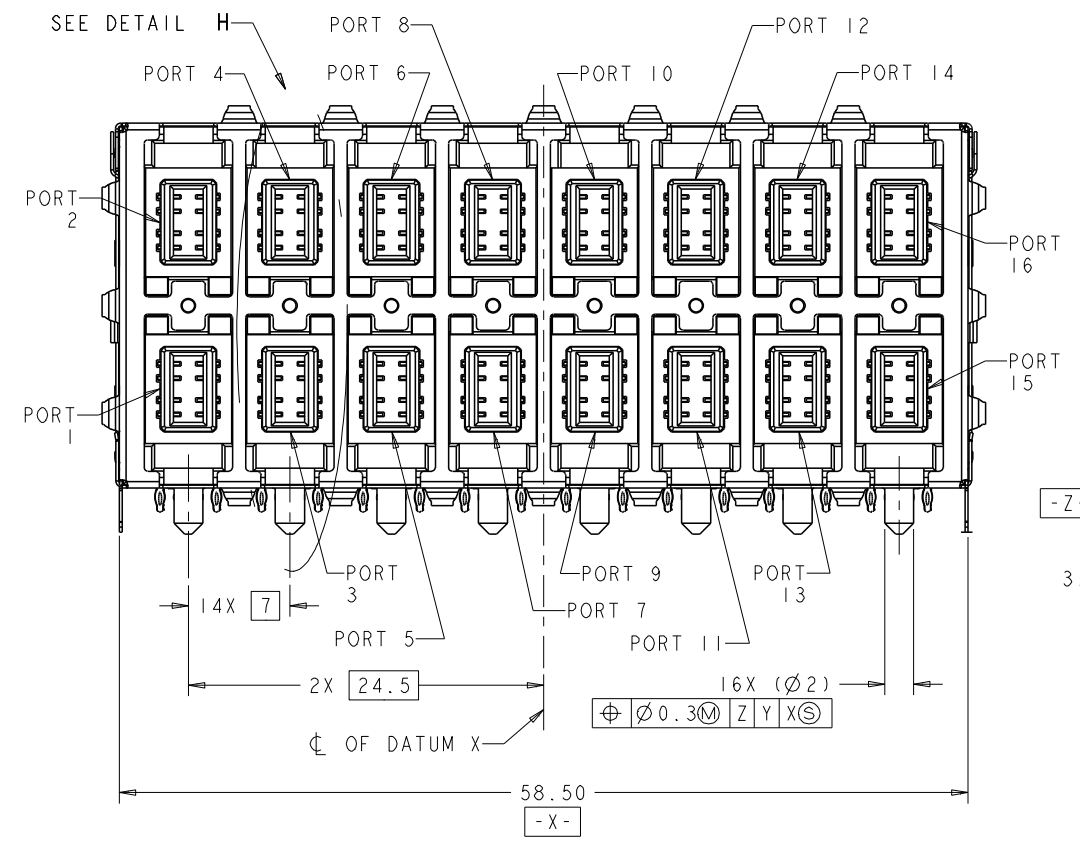
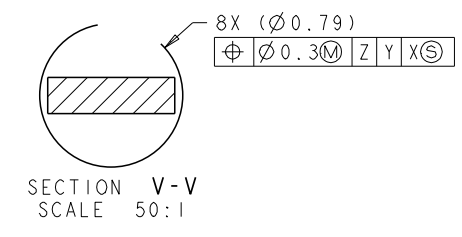
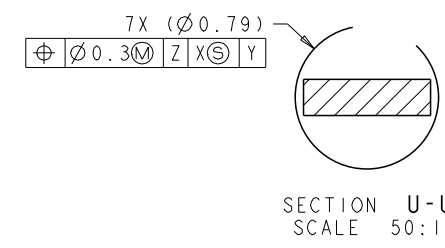
FREQUENCY	*INSERTION LOSS	RETURN LOSS	CROSSTALK ATTENUATION	COMMON MODE REJECTION RATIO
0.5MHz - 1MHz	1.2dB (MAX)	18dB (MIN)	70dB (MIN)	30dB (MIN)
1MHz - 40MHz	1.2dB (MAX)	18dB (MIN)	33-20X LOG (F/80)dB (MIN)	30dB (MIN)
40MHz - 100MHz	1.2dB (MAX)	12-20X LOG (F/80)dB (MIN)	33-20X LOG (F/80)dB (MIN)	30dB (MIN)

ALL MAGNETIC ELECTRICAL CHARACTERISTICS RATED AT T=25°C

- ISOLATION VOLTAGE: 2250VDC(MAX) FOR 60 SECONDS WITH A RISE TIME OF 500V/SEC, WITH ALL PORTS CONNECTED.



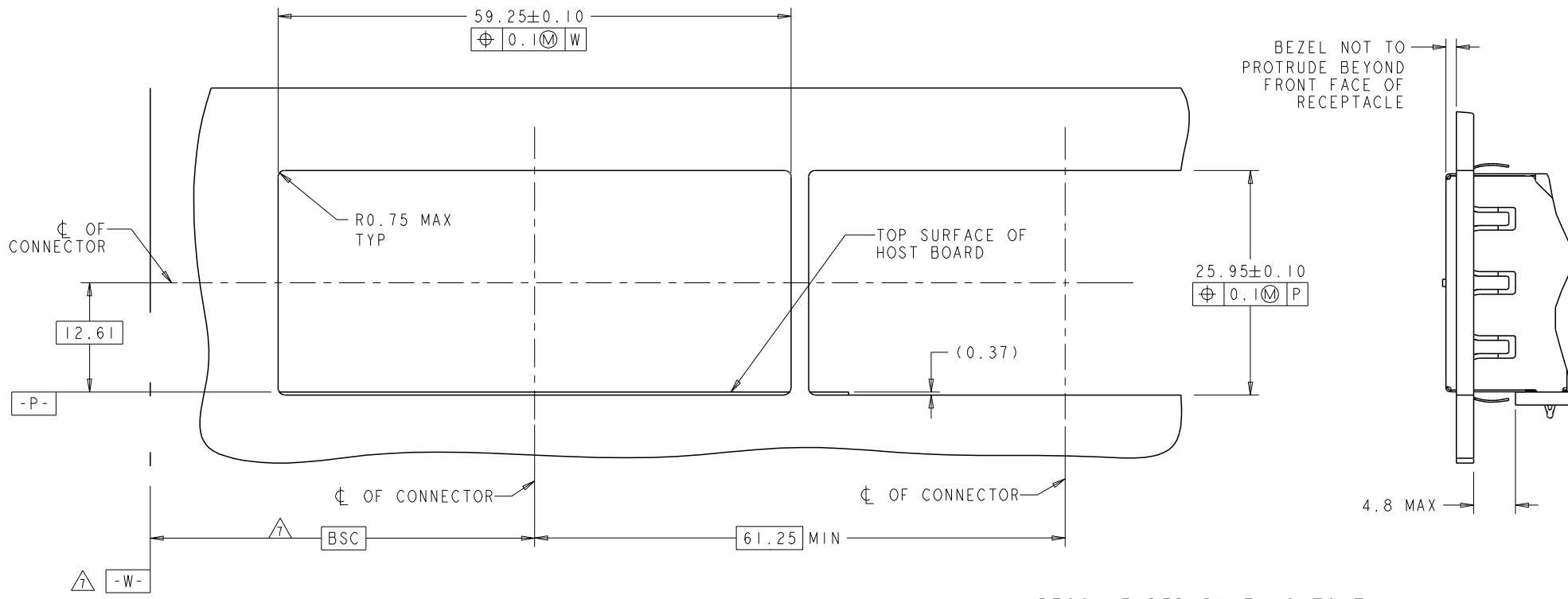
SCALE 3:1



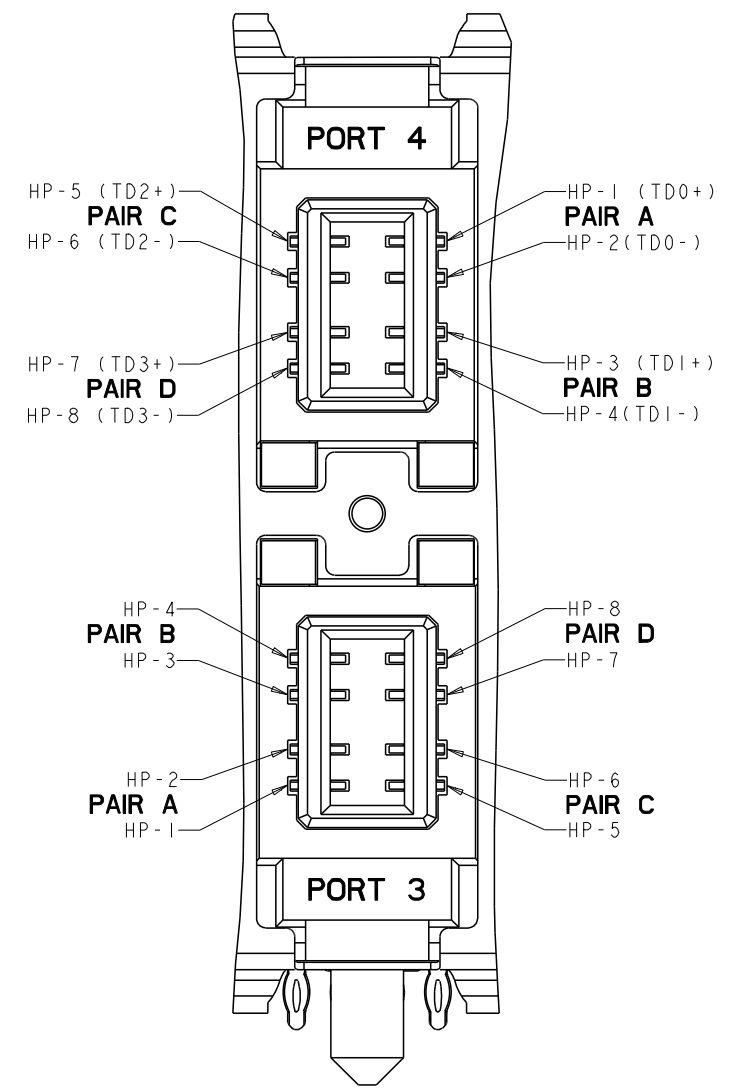
YELLOW/GREEN BI-COLORS	2007669-2
RED/GREEN BI-COLORS	2007669-1
LED COLORS	PART NUMBER

THIS DRAWING IS A CONTROLLED DOCUMENT.		OWN: R. IREDA 30JAN2008	
DIMENSIONS: mm		CHK: R. HENRY 30JAN2008	
TOLERANCES UNLESS OTHERWISE SPECIFIED:		APPD: R. HENRY 30JAN2008	NAME: RECEPTACLE ASSEMBLY, 2X8, RJ POINT FIVE, NON POE WITH MAGNETICS
0 PLC ±	1 PLC ±0.25	PRODUCT SPEC	SIZE: CAGE CODE: DRAWING NO: RESTRICTED TO
2 PLC ±	3 PLC ±	APPLICATION SPEC	A 00779 ©=2007669
4 PLC ±	ANGLES ±	WEIGHT	SCALE: 4:1 SHEET 1 OF 5 REV B
MATERIAL	FINISH	CUSTOMER DRAWING	

LOC	QTY	REVISIONS			
P	LTN	DESCRIPTION	DATE	DWN	APVD
-	-	SEE SHEET 1	-	-	-



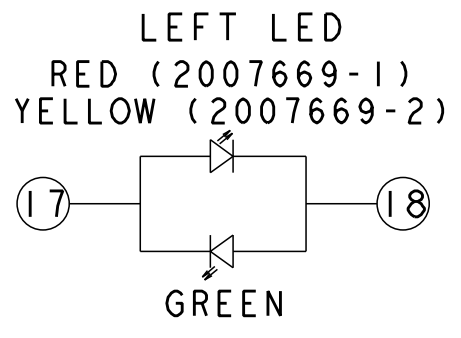
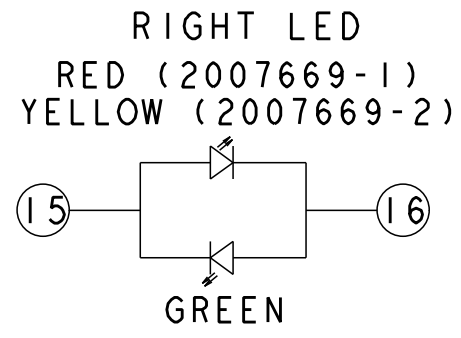
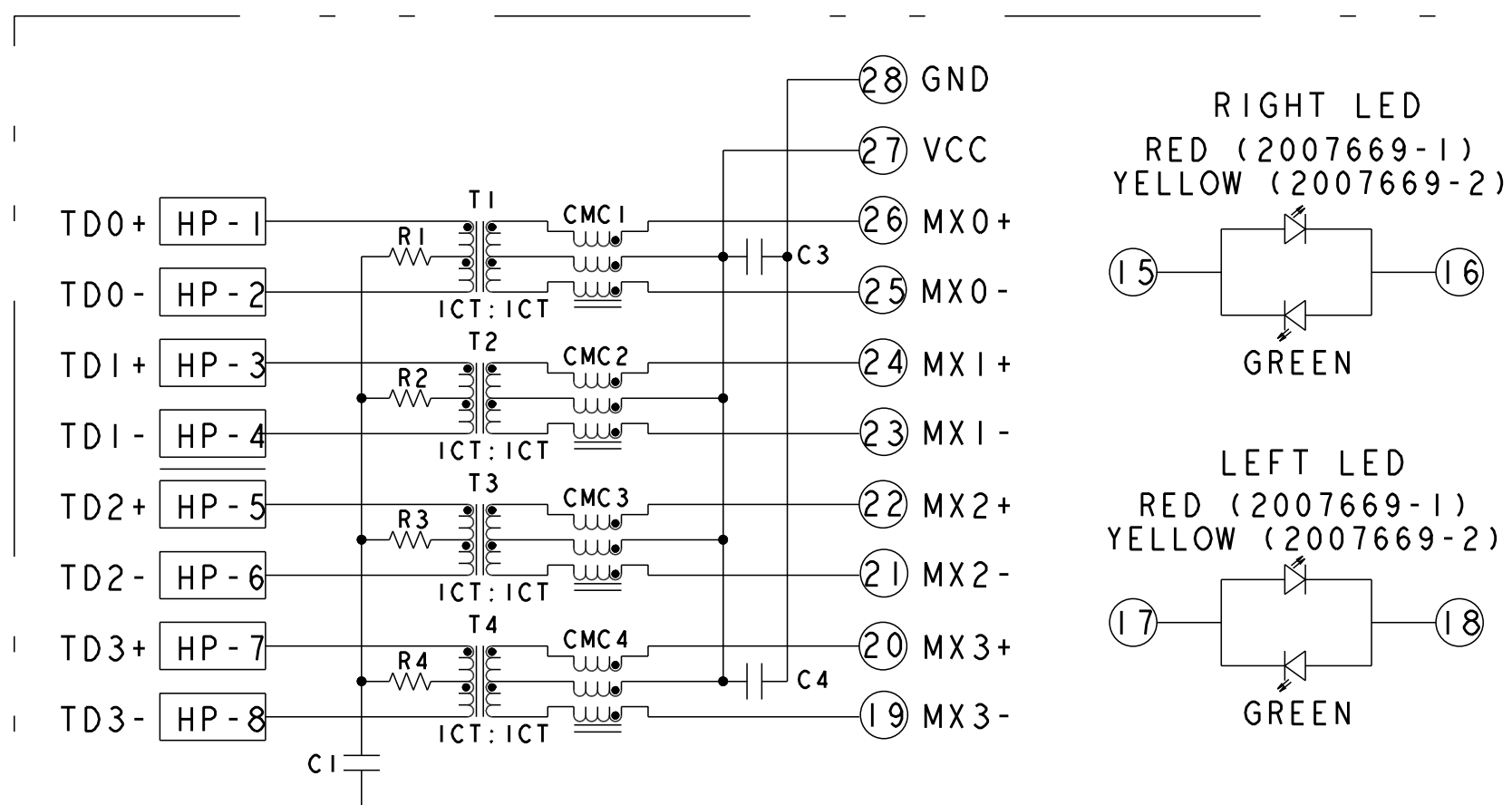
RECOMMENDED PANEL CUTOUT
 SCALE 3:1



DETAIL H
 SCALE 10:1

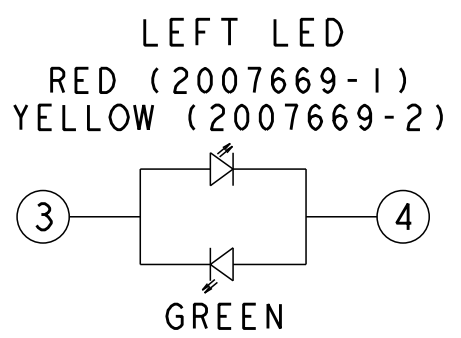
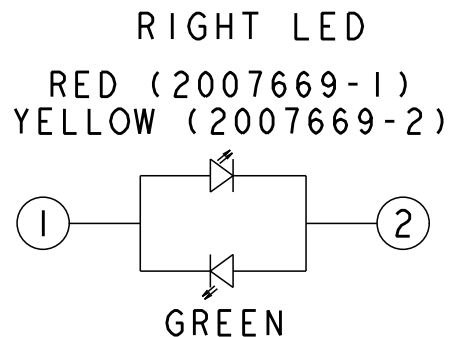
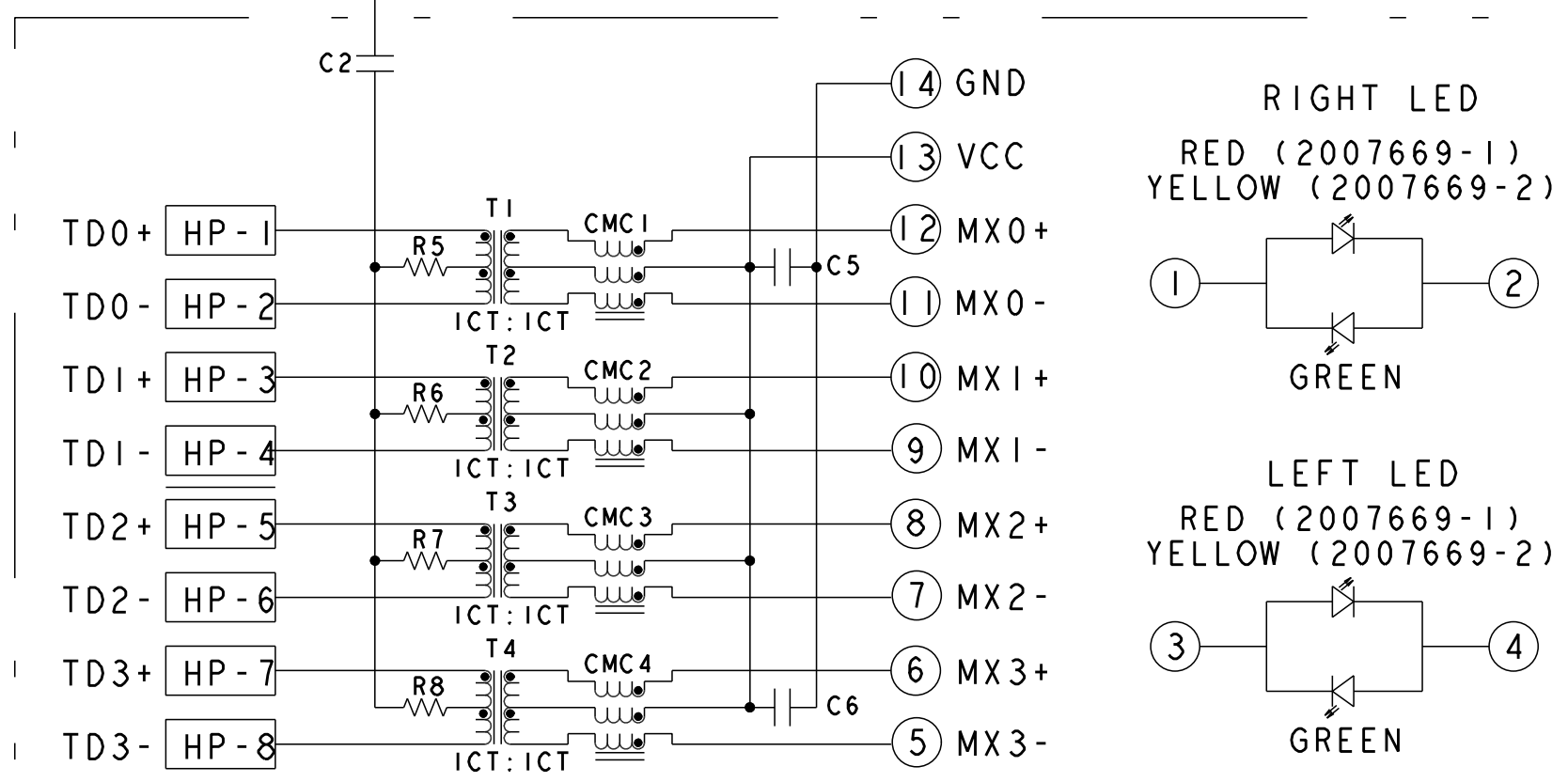
THIS DRAWING IS A CONTROLLED DOCUMENT.		DWN: R. IRREA 30JAN2008		NAME: RECEPTACLE ASSEMBLY, 2X8, RJ POINT FIVE, NON POE WITH MAGNETICS
DIMENSIONS: mm		CHK: R. HENRY 30JAN2008		
TOLERANCES UNLESS OTHERWISE SPECIFIED:		APVD: R. HENRY 30JAN2008	PRODUCT SPEC	RESTRICTED TO
0 PLC	±		APPLICATION SPEC	SIZE: A
1 PLC	±			CAGE CODE: 00779
2 PLC	±0.25			DRAWING NO: 2007669
3 PLC	±			SCALE: 4:1
4 PLC	±			SHEET 3 OF 5
ANGLES	±			REV B
FINISH	±			
MATERIAL:		WEIGHT:	CUSTOMER DRAWING	

LOC	QTY	REV	DESCRIPTION	DATE	DWN	APPD
AG	00		SEE SHEET 1			



S5G73 GIGABIT SCHEMATIC

TOP PORT

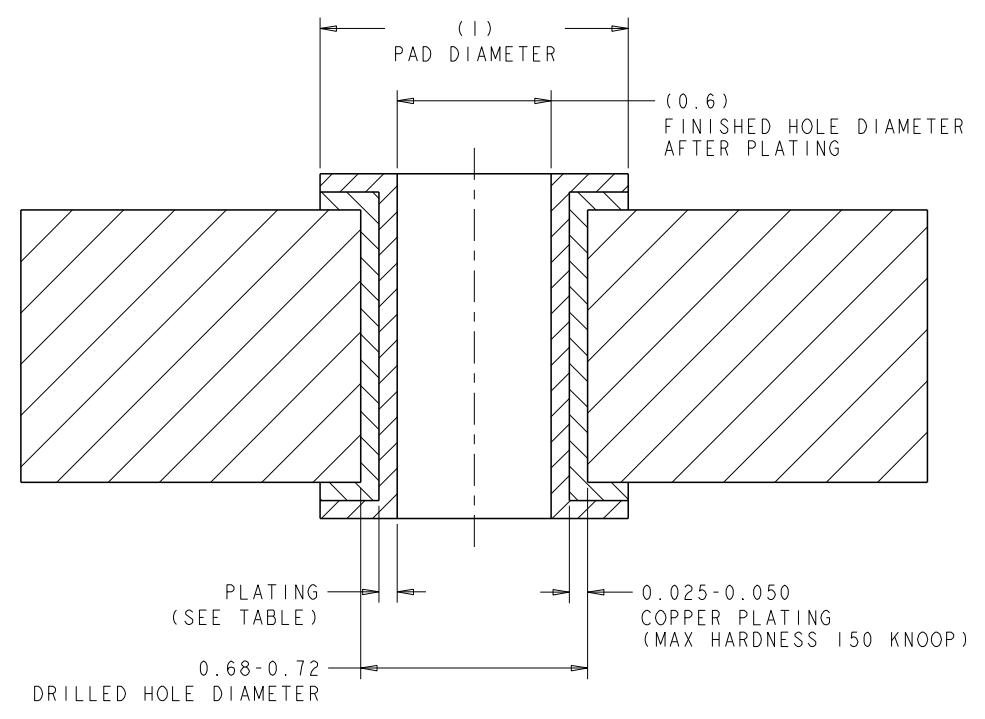


BOTTOM
 PORT

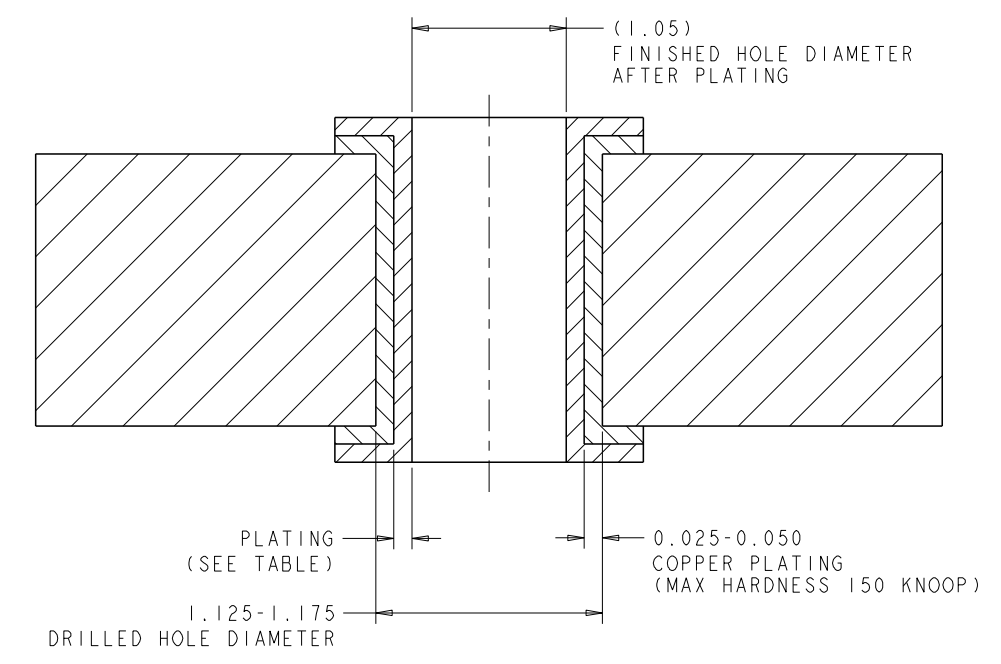
C1-C2 = 1000 pF, 2kV DE-COUPLING CAPACITORS
 C3-C6 = 0.01uF, 50V, CAPACITORS
 R1-R8 = 75 Ohm, 1/16W, RESISTORS

THIS DRAWING IS A CONTROLLED DOCUMENT.		DWN: R. TREA 30JAN2008	
		CHK: R. HENRY 30JAN2008	
DIMENSIONS:	TOLERANCES UNLESS OTHERWISE SPECIFIED:	APPD: R. HENRY 30JAN2008	NAME: RECEPTACLE ASSEMBLY, 2X8, RJ POINT FIVE, NON POE WITH MAGNETICS
mm	0 PLC ± 1 PLC ± 2 PLC ±0.25 3 PLC ± 4 PLC ±	PRODUCT SPEC	SIZE: A
MATERIAL:	ANGLES ±2°	APPLICATION SPEC	RESTRICTED TO
	FINISH:	WEIGHT:	SCALE: 4:1
		CUSTOMER DRAWING	SCALE: 4:1 SHEET 4 OF 5 REV B

LOC	DIST	REVISIONS			
P	LYR	DESCRIPTION	DATE	DWN	APVD
AG	00	SEE SHEET 1	-	-	-



RECOMMENDED HOLE DIMENSIONS FOR SIGNAL CONTACTS



RECOMMENDED HOLE DIMENSIONS FOR SHIELD PINS

THICKNESS	PLATING
0.004-0.010	HOT AIR SOLDER LEVELING (HASL) TIN-LEAD (Sn Pb)
0.0005-0.001	IMMERSION TIN (Sn)
0.0002-0.0005	ORGANIC SOLDERABILITY PRESERVATIVE (OSP)
0.0001-0.0005 Au, 0.004-0.0076 Ni	IMMERSION GOLD (Au) OVER NICKEL (Ni) (ENIG)
0.010-0.025	TIN LEAD PLATING (Sn Pb)
0.0001-0.00015	IMMERSION SILVER (Ag)

THIS DRAWING IS A CONTROLLED DOCUMENT.

DWN: R. TREIA	30JAN2008	
CHK: R. HENRY	30JAN2008	
APPD: R. HENRY	30JAN2008	NAME: RECEPTACLE ASSEMBLY, 2X8, RJ POINT FIVE, NON POE WITH MAGNETICS
PRODUCT SPEC		RESTRICTED TO
APPLICATION SPEC		SIZE: A
WEIGHT		CAGE CODE: 00779
CUSTOMER DRAWING		DRAWING NO: 2007669
		SCALE: 4:1
		SHEET 5 OF 5
		REV B