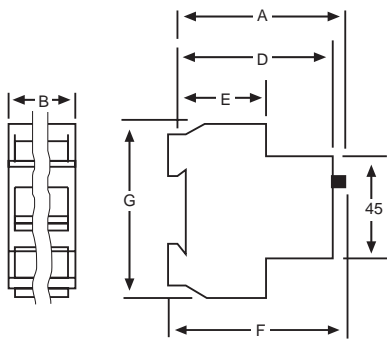
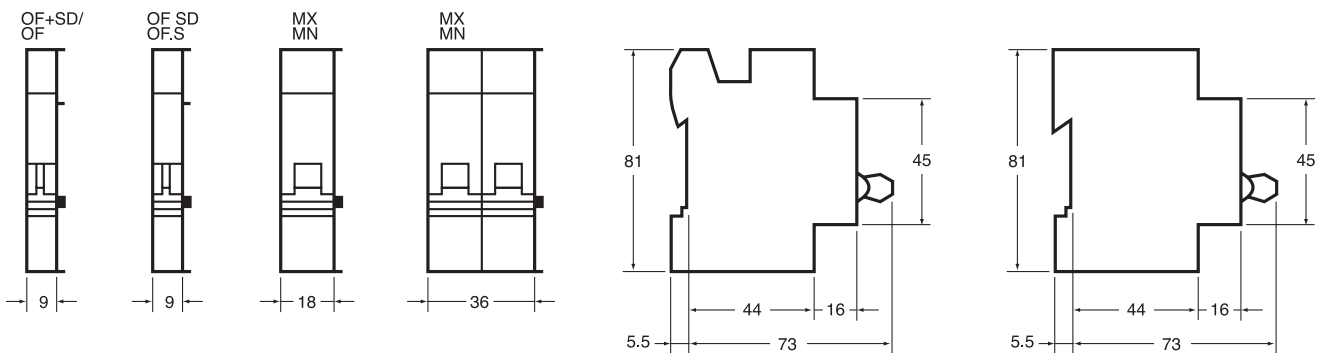


C60/RMG/MGV

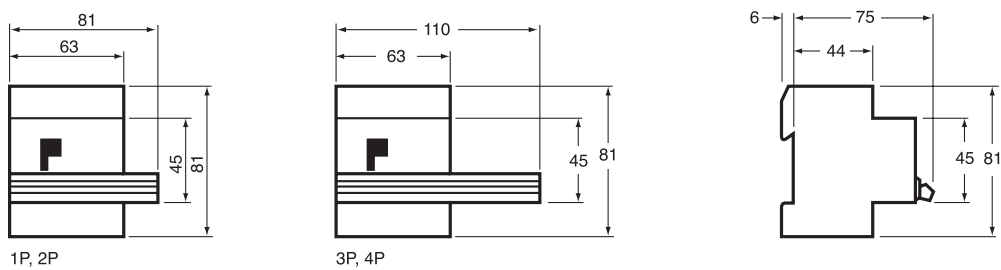


Part N°.	Description	Width in 18mm SP ways	A	B 1P	B 2P	B 3P	B 4P	D	E	F	G
C60 +any code	Miniature circuit breakers	1,2,3,4	70	18	36	54	72	60	44	76	81
RMG +any code	Residual current devices	2,4	69		36		72	60	44	76	81
MGV +any code	Vigi rcd for C60H MCB's		70		36		72	60	44	75	81

OF, SD, OF+SD/OF, MX, MN auxiliaries for C60H, C60H RCBO's



TM C60 auxiliaries



C60 RCBO

