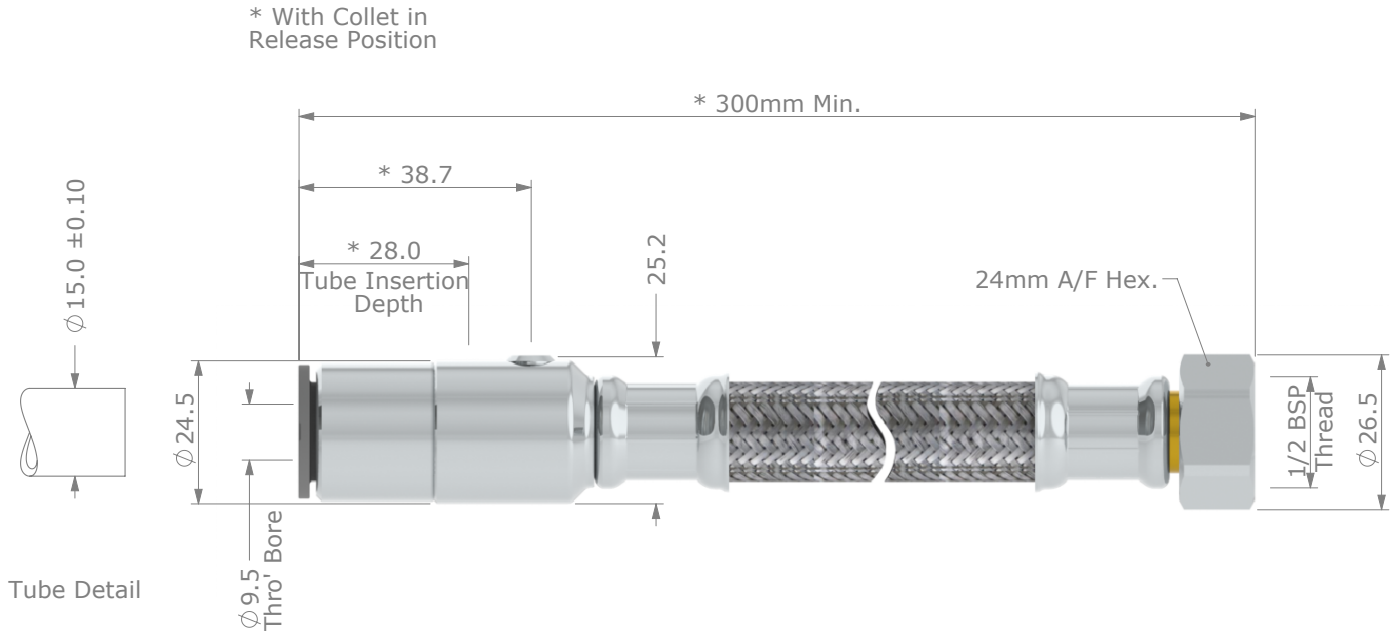


**15mm Service Valve x 1/2 BSP Flexi Hose (300mm)**

The 15mm Service Valve x 1/2 BSP Flexi Hose is designed for Domestic plumbing applications.


**Parts List**

Part Description	Material	Part Description	Material
15mm x 1/2" ID Hose Barb Plated Service Valve	15PHSV	1/2 BSP Sealing Washer	Ethylene Propylene (EPDM), Black
1/2 BSP Hose Barb	Brass	Ferrule	Stainless Steel
1/2 BSP Captive Nut	Brass, Nickel Plated	13mm ID Flexible Braided Hose	Ethylene Propylene (EPDM) Tube with Stainless Steel Braiding

**Technical Information**

Working Pressures & Temperatures	Applications
6 bar at 65°C    12 bar at 20°C	Hot and Cold Water    ✓ Central Heating    x

The Copyright in this drawing and the products referred thereon belong to John Guest International Limited and this drawing nor the information contained herein shall be produced in any form or used for any purpose without written consent © 2013

The company has a policy of continuous research and development and reserves the right to amend without notice the specification and design of all products illustrated. For details of Terms and Conditions and any other technical enquiries, please contact our Customer Services Department on 01895 449233. Alternatively, call our Technical Helpdesk on 01895 423333