



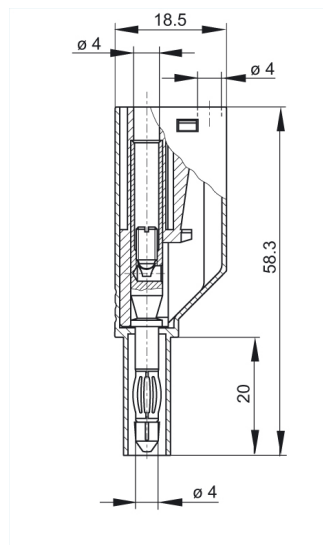
## LAS S WS gelb/yellow

Industrial Connectors:Measuring and Testing Equipment:Plugs:4 mm safety system

### Product description

Description	Safety connector for tower construction with screw connection for leads from 0.5 mm <sup>2</sup> to 1.5 mm <sup>2</sup> , outer diameter of lead max. 4.2 mm. Plug 4 mm with caged spring, 1000 V-system, IEC 61010. Simple assembly by "Click-System".
Type	LAS S WS gelb/yellow
Order No.	934 099-103
System	4 mm safety system
Housing Color	yellow
Other standard types	black color, order no. 934 099-100; red color, order no. 934 099-101; blue color, order no. 934 099-102; green color, order no. 934 099-104

### Drawing



### Technical data

Pin dimensions	4 mm with laminated spring
Type of contact	pin (spring-loaded), socket
Type of termination	screw
Standard	IEC 61010
Rated voltage	AC/DC 1000 V
Measurement Category	CAT II
Rated current	24 A

### Material

Contact material	copper beryllium
Contact surface material	nickel-plated

Housing material PA

**Environmental conditions**

Temperature range -15 °C to +70 °C

**Inflammability class**

Housing 94 V-2