


Ordering number CA12889_STRADA-SQ-T-DWC

Family	Strada-SQ	FWHM	Asym degrees
Type	Assembly	Efficiency	91 %
LED	NS9x383	cd/lm	0.660
Color	Clear	Gerber File	Available
Diameter	25 x 25 mm		
Height	8.15 mm		
Style	Square		
Optic Material	PMMA		
Holder Material	-		
Fastening	Screw, pin, tape		
Status	Ready		


Ordering number CA13119_STRADA-SQ-A-T

Family	Strada-SQ	FWHM	Asym degrees
Type	Assembly	Efficiency	92 %
LED	NS9x383	cd/lm	0.700
Color	Clear	Gerber File	Available
Diameter	25 + 25 mm		
Height	9.1 mm		
Style	Square		
Optic Material	PMMA		
Holder Material	-		
Fastening	Screw, pin, tape		
Status	Ready		


Ordering number CA12891_STRADA-SQ-VSM

Family	Strada-SQ	FWHM	149 degrees
Type	Assembly	Efficiency	91 %
LED	NS9x383	cd/lm	0.470
Color	Clear	Gerber File	Available
Diameter	25 x 25 mm		
Height	6.95 mm		
Style	Square		
Optic Material	PMMA		
Holder Material	-		
Fastening	Screw, pin, tape		
Status	Ready		





PRODUCT DATASHEET

Strada-SQ series

last update 14/3/2013



Ordering number CA12411 Description 1

Family Strada-SQ
Type Assembly
LED NS9x383
Color Clear
Diameter 25 + 25 mm
Height 9.15 mm
Style Square
Optic Material PMMA
Holder Material -
Fastening -
Status Ready

FWHM Asym degrees
Efficiency 93 %
cd/lm 0.690
Gerber File Available

Positioning: External position element / Automatic assembling li

Ordering number C12726 Description 1

Family Strada-SQ
Type Lens
LED NS9x383
Color Clear
Diameter 25 x 25 mm
Height 8 mm
Style Square
Optic Material PMMA
Holder Material -
Fastening -
Status Ready

FWHM Asym degrees
Efficiency 91 %
cd/lm -
Gerber File Available

NOTE: The typical divergence will be changed by different color, chip size and chip position tolerance. The typical total divergence is the full angle measured where the luminous intensity is half of the peak value.



PRODUCT DATASHEET Strada-SQ series

last update 14/3/2013



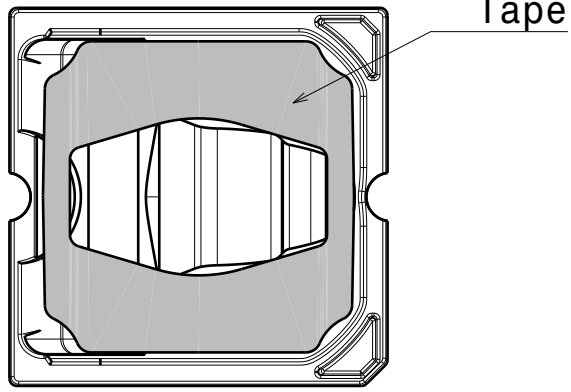
GENERAL INFORMATION

- Product series especially designed & optimized for NS9x383 series of LEDs.
- Special care taken to make light distribution as uniform as possible.
- Lens material optical grade PMMA with high UV and temperature resistance. Allows use of high current and temperature conditions.

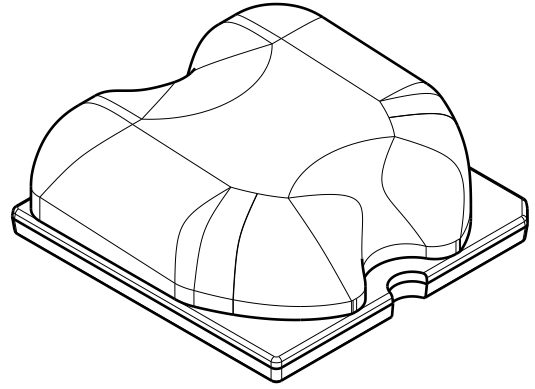
Please find more information about used material from below:

http://ledil.fi/sites/default/files/Documents/Technical/Material/PMMA%20N%20UL94_Yellow%20Card.pdf

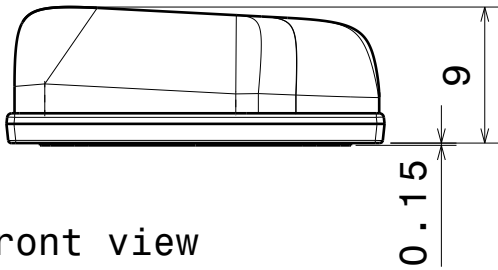
<http://ledil.fi/sites/default/files/Documents/Technical/Material/PMMA%20N%20PLEXIGLAS-Datasheet.pdf>



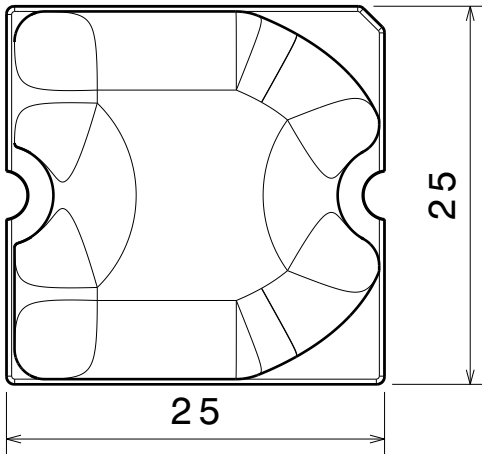
Bottom view



Isometric view



Front view



Top view

Tolerances if not otherwise shown:
According to DIN ISO 2768-1
Linear measures:
Up to 30mm class F, otherwise class M.

According to DIN ISO 2768-2
Form and position:
class K

Control for SPC marked dimensions.

This drawing is our property.
It can't be reproduced
or communicated without
our written agreement.



Ledil Oy
Salorankatu 10
FIN 24240 SALO
Finland

DRAWING TITLE Mechanical drawing

DRAWN BY as
DATE 25.9.2012

STRADA-SQ-A-T

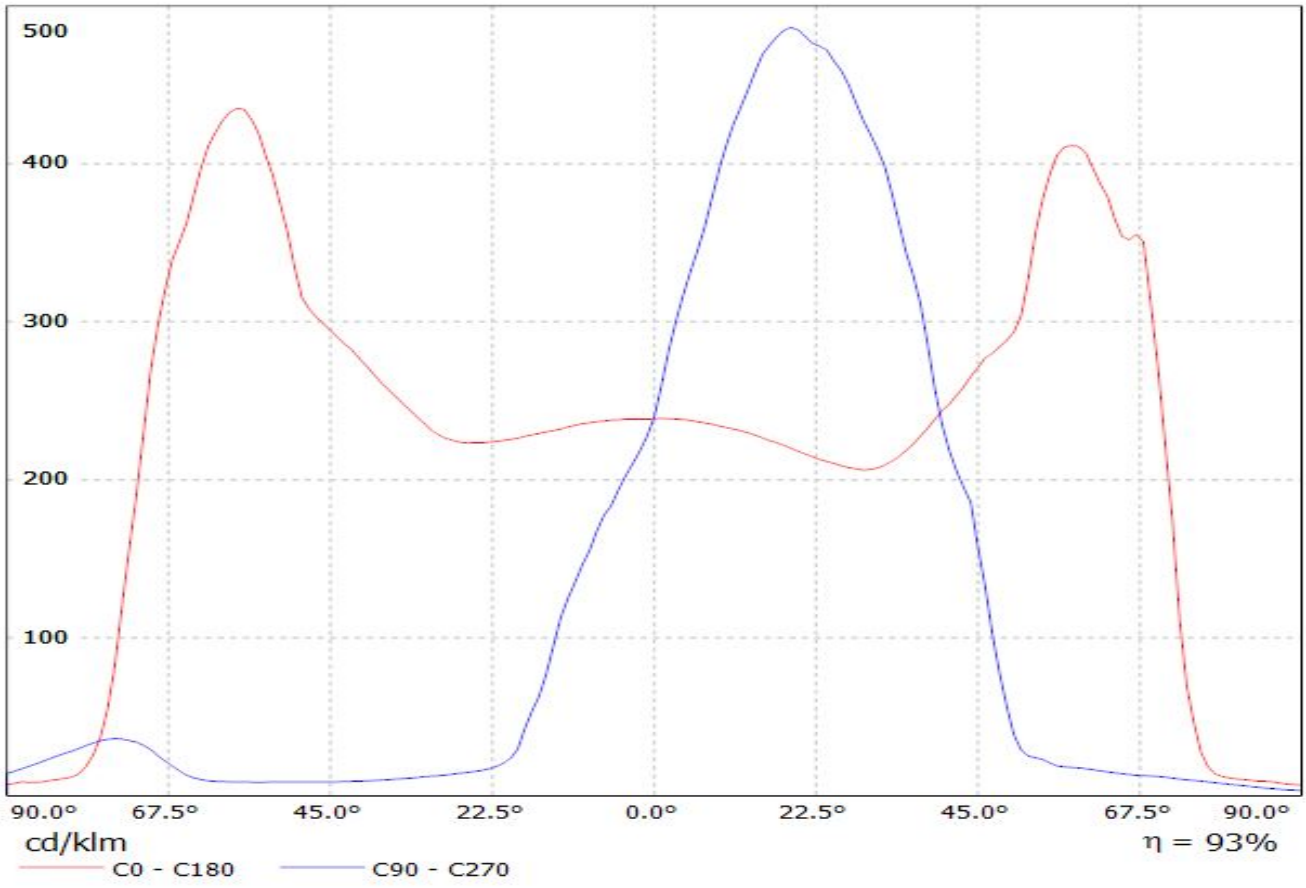
CHECKED BY VS
DATE -

SIZE A4
PART NUMBER
REV 001

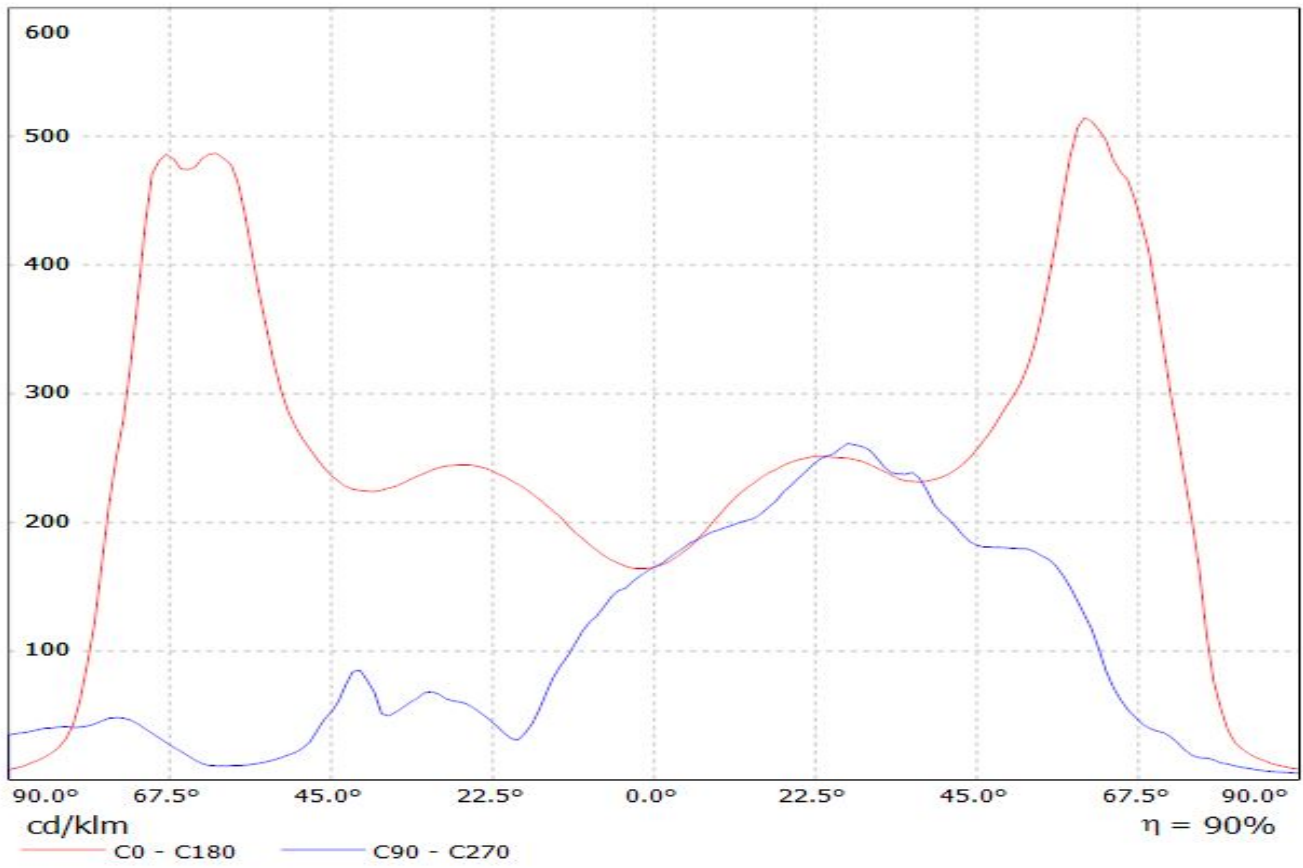
DESIGNED BY -
DATE -

SCALE 2:1 WEIGHT 4,97 g SHEET 1/1

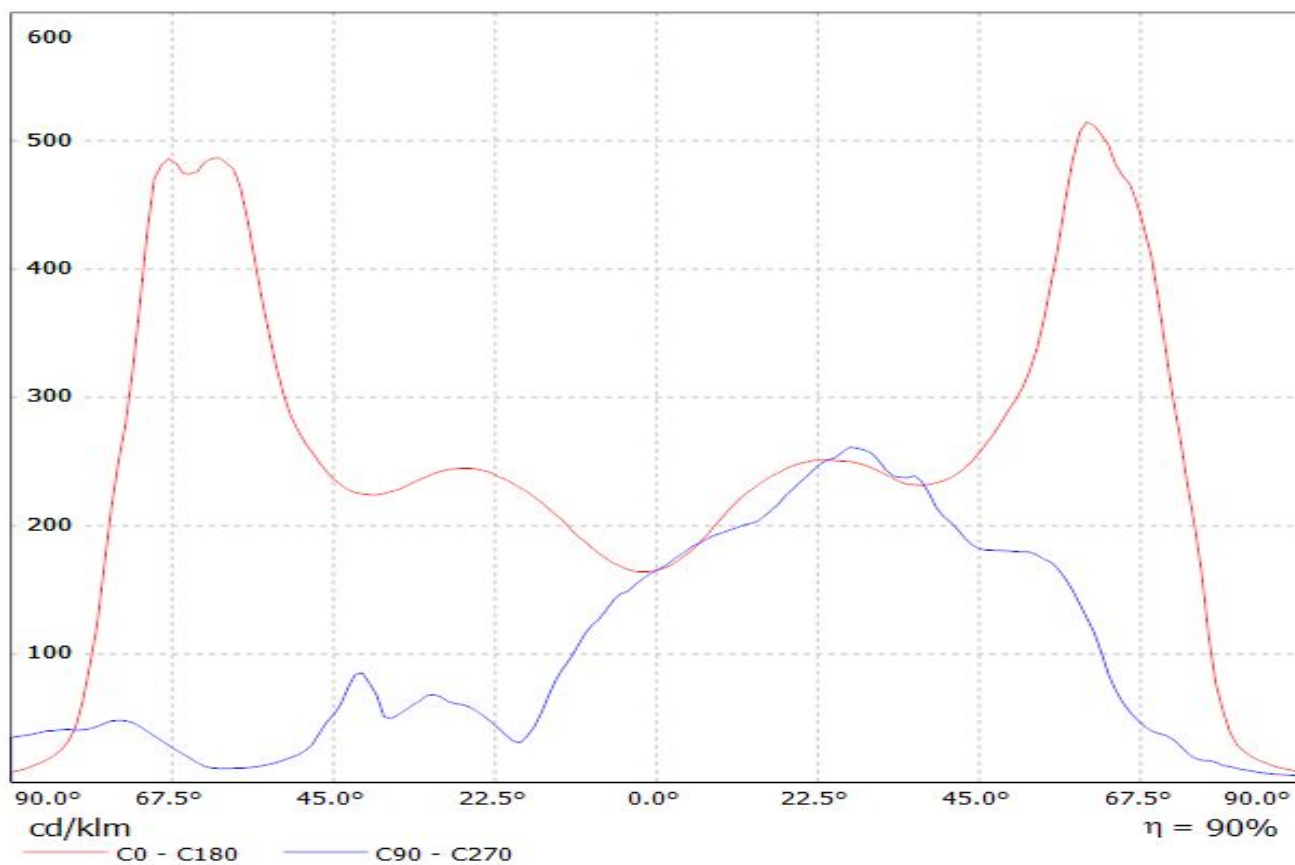
Luminaire: LEDiL Oy CA12411_STRADA-SQ-A-T_(NS9x383) Eff. 93,1%
Lamps: 1 x Nichia NS9x383 (105lm@250mA)



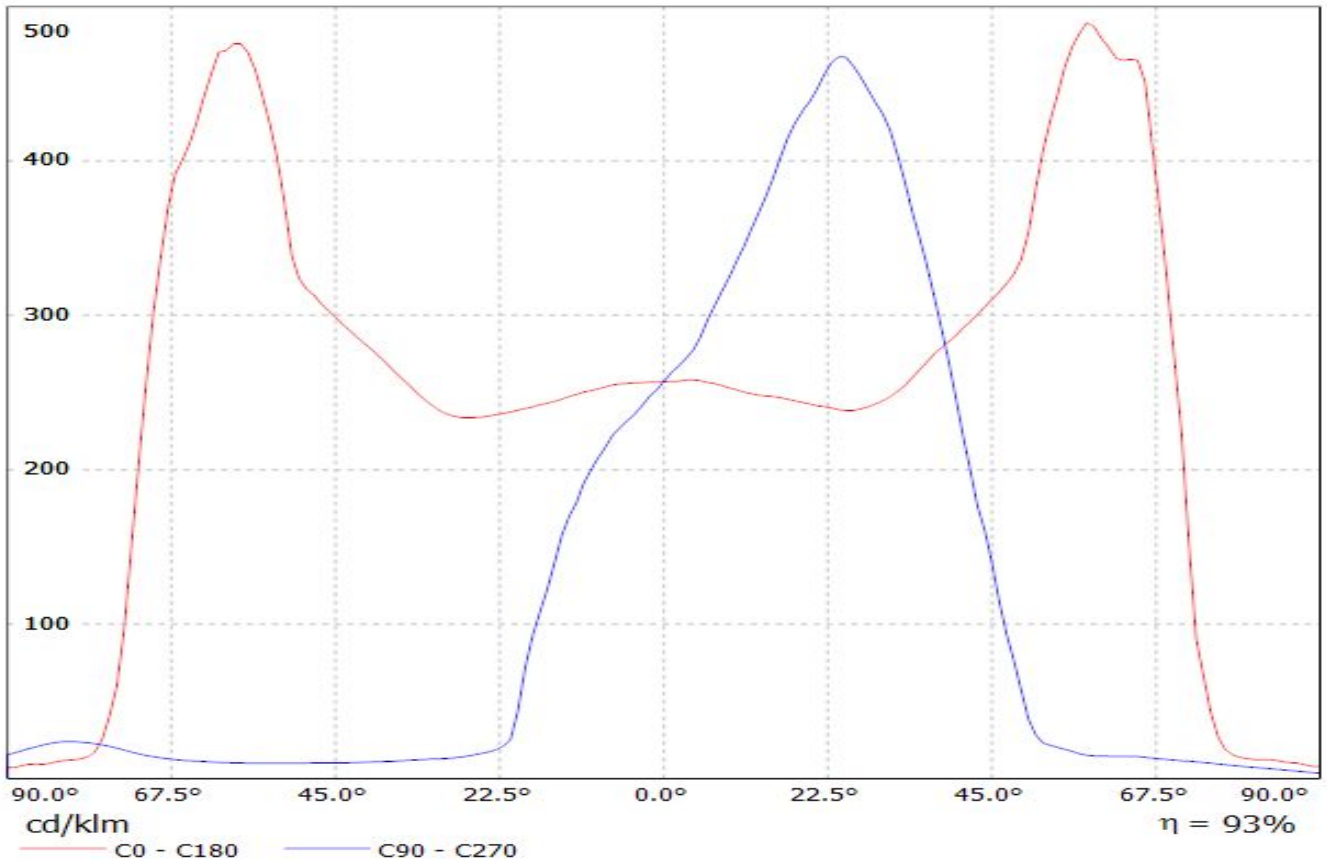
Luminaire: LEDiL Oy C12726_STRADA-SQ-T-DWC_(NS9x383) Eff. 89,9%
Lamps: 1 x Nichia NS9x383 (105lm@250mA)



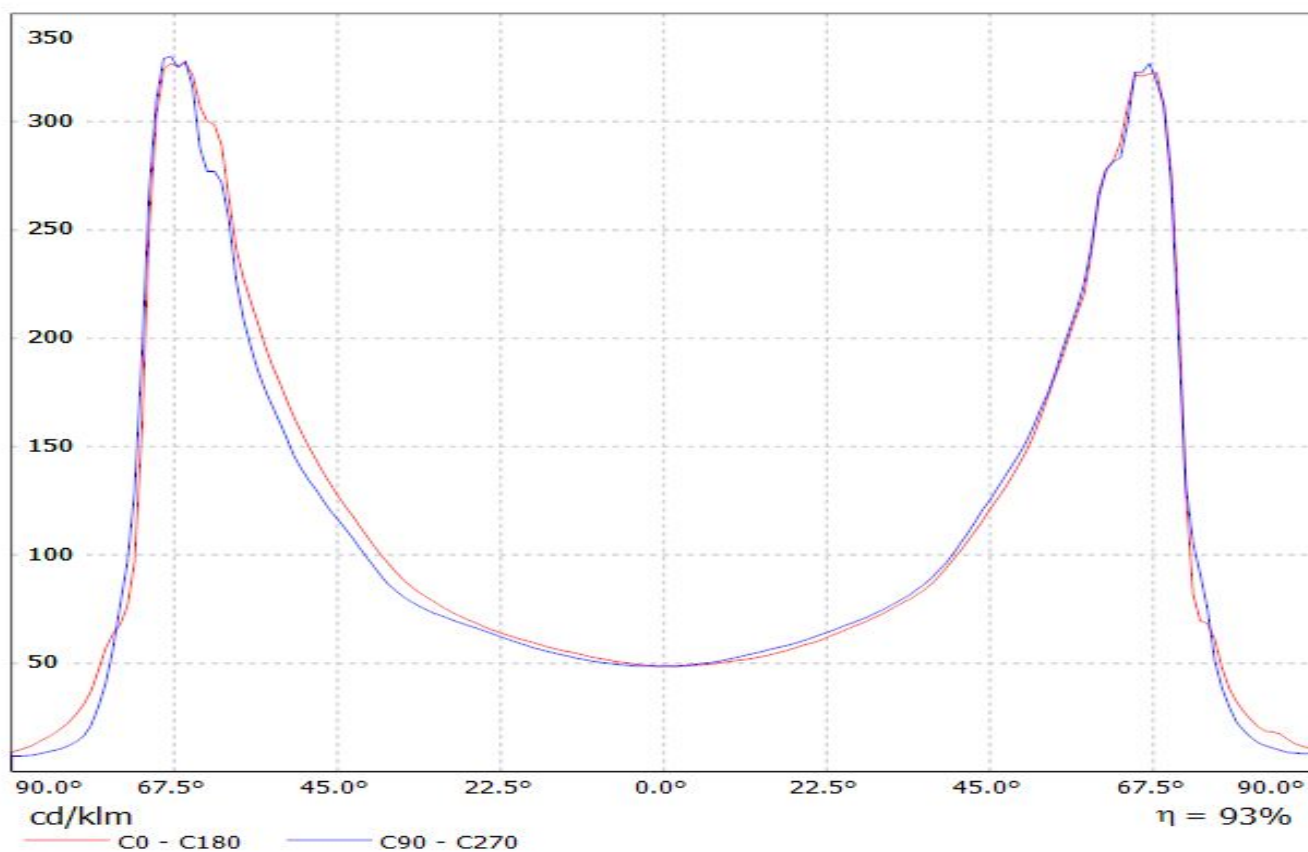
Luminaire: LEDiL Oy CA12889_STRADA-SQ-T-DWC_(NS9x383) Eff. 89,9%
Lamps: 1 x Nichia NS9x383 (105lm@250mA)



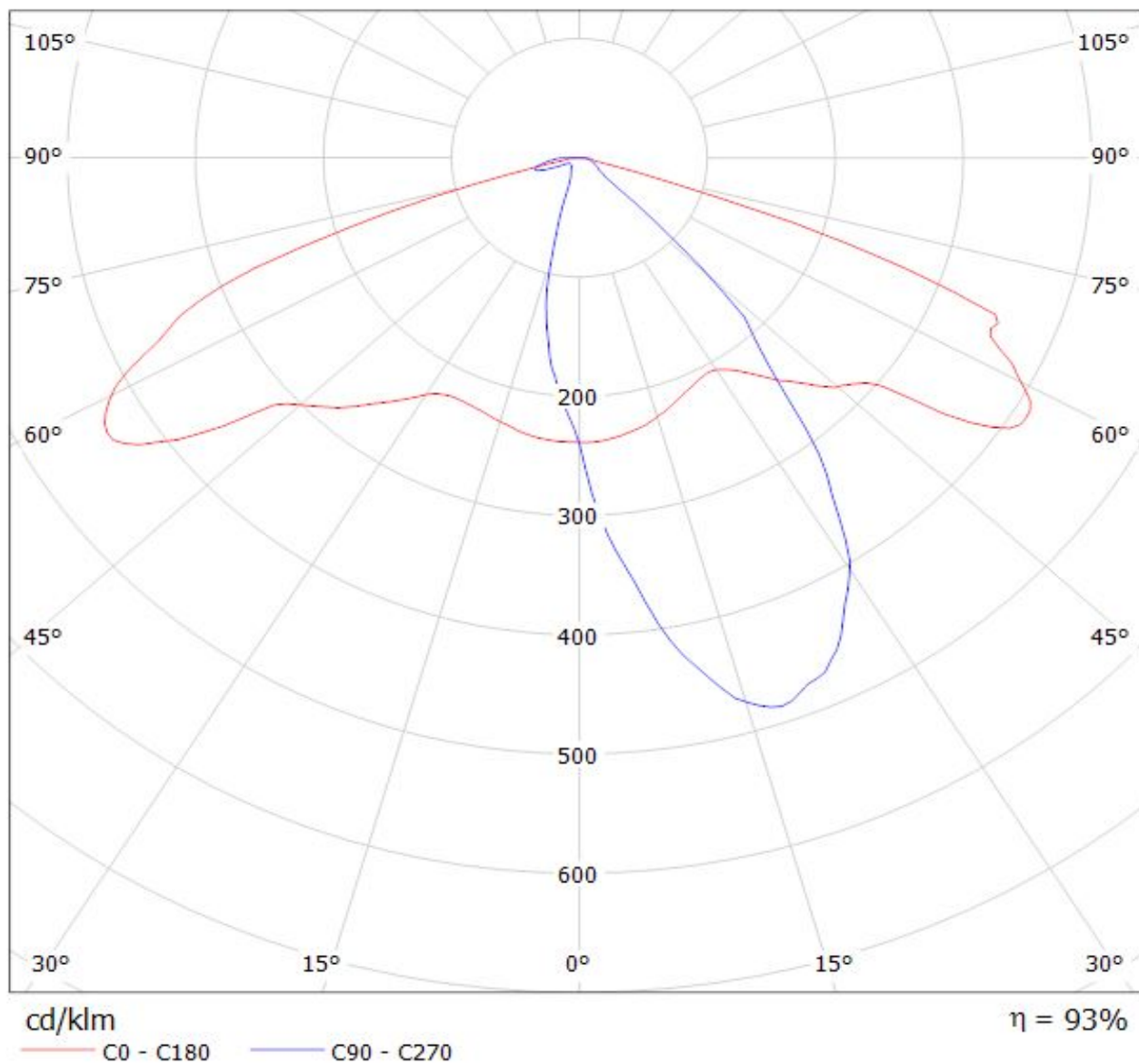
Luminaire: LEDiL Oy CA13119_STRADA-SQ-A-T_(NS9x383) Eff. 93,3%
Lamps: 1 x Nichia NS9x383 (105lm@250mA)



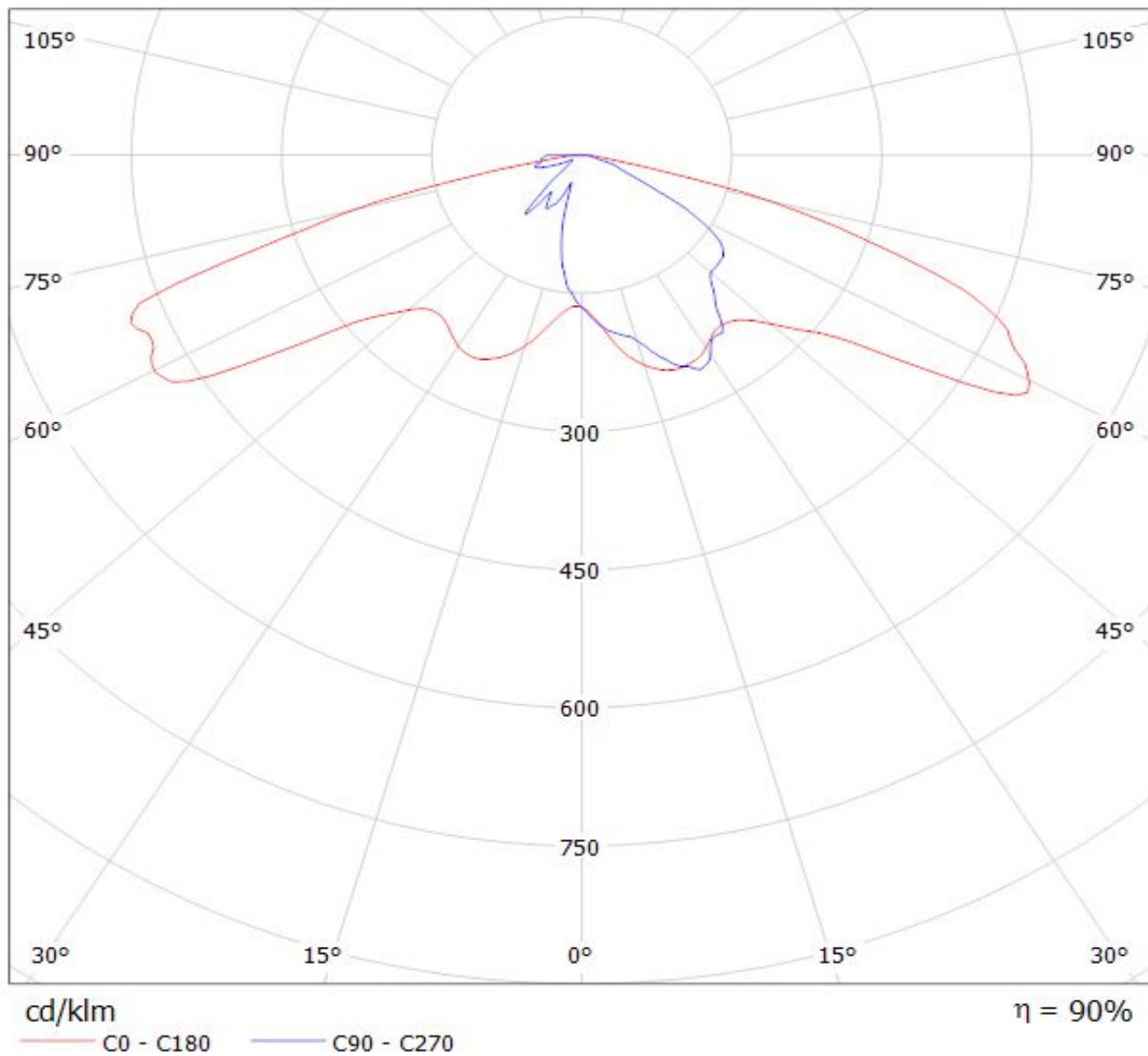
Luminaire: LEDiL Oy CA12891_STRADA-SQ-VSM_(NS9x383) Eff. 92,6%
Lamps: 1 x Nichia NS9x383 (105lm@250mA)



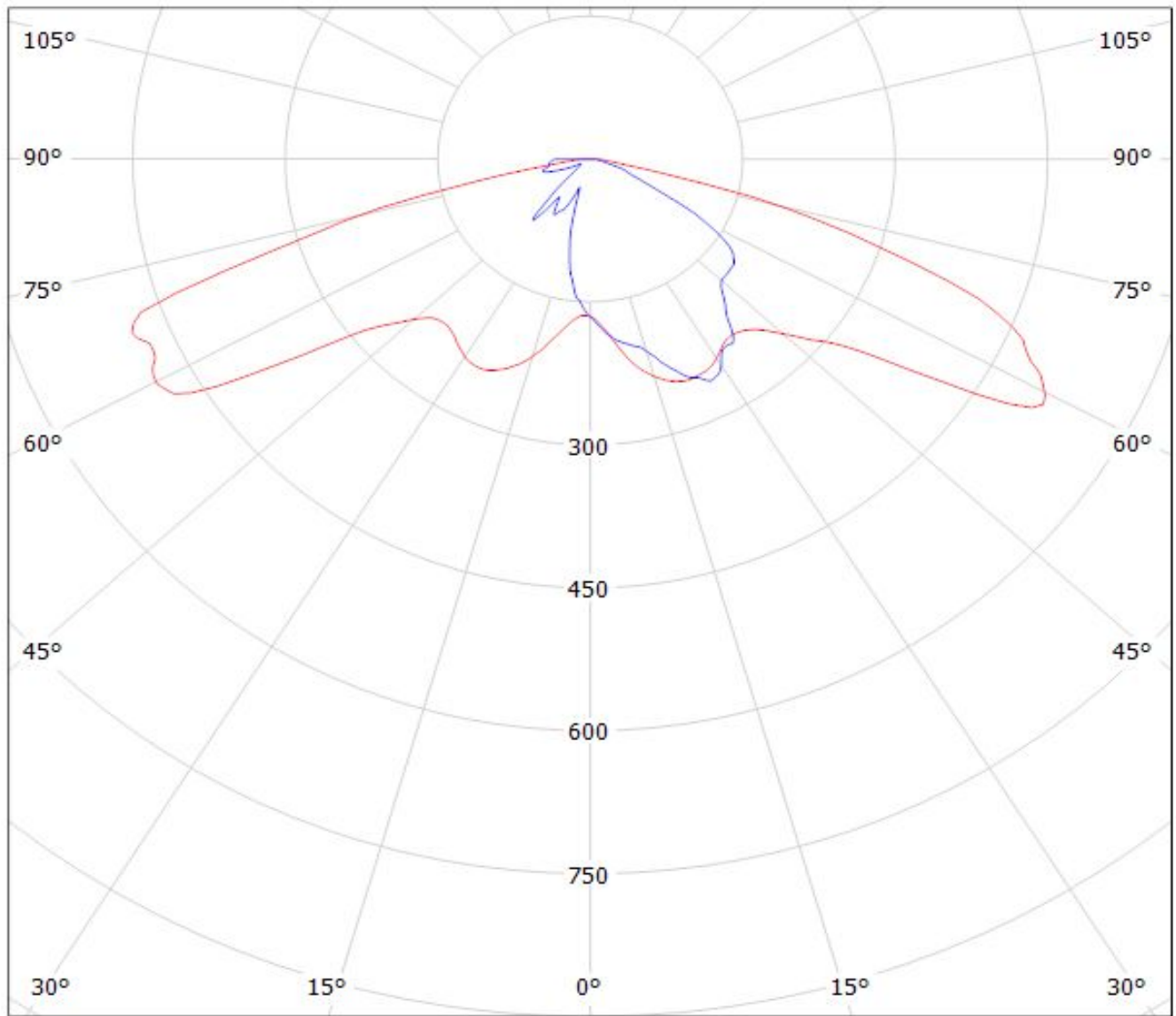
Luminaire: LEDiL Oy CA12411_STRADA-SQ-A-T_(NS9x383) Eff. 93,1%
Lamps: 1 x Nichia NS9x383 (105lm@250mA)



Luminaire: LEDiL Oy C12726_STRADA-SQ-T-DWC_(NS9x383) Eff. 89,9%
Lamps: 1 x Nichia NS9x383 (105lm@250mA)

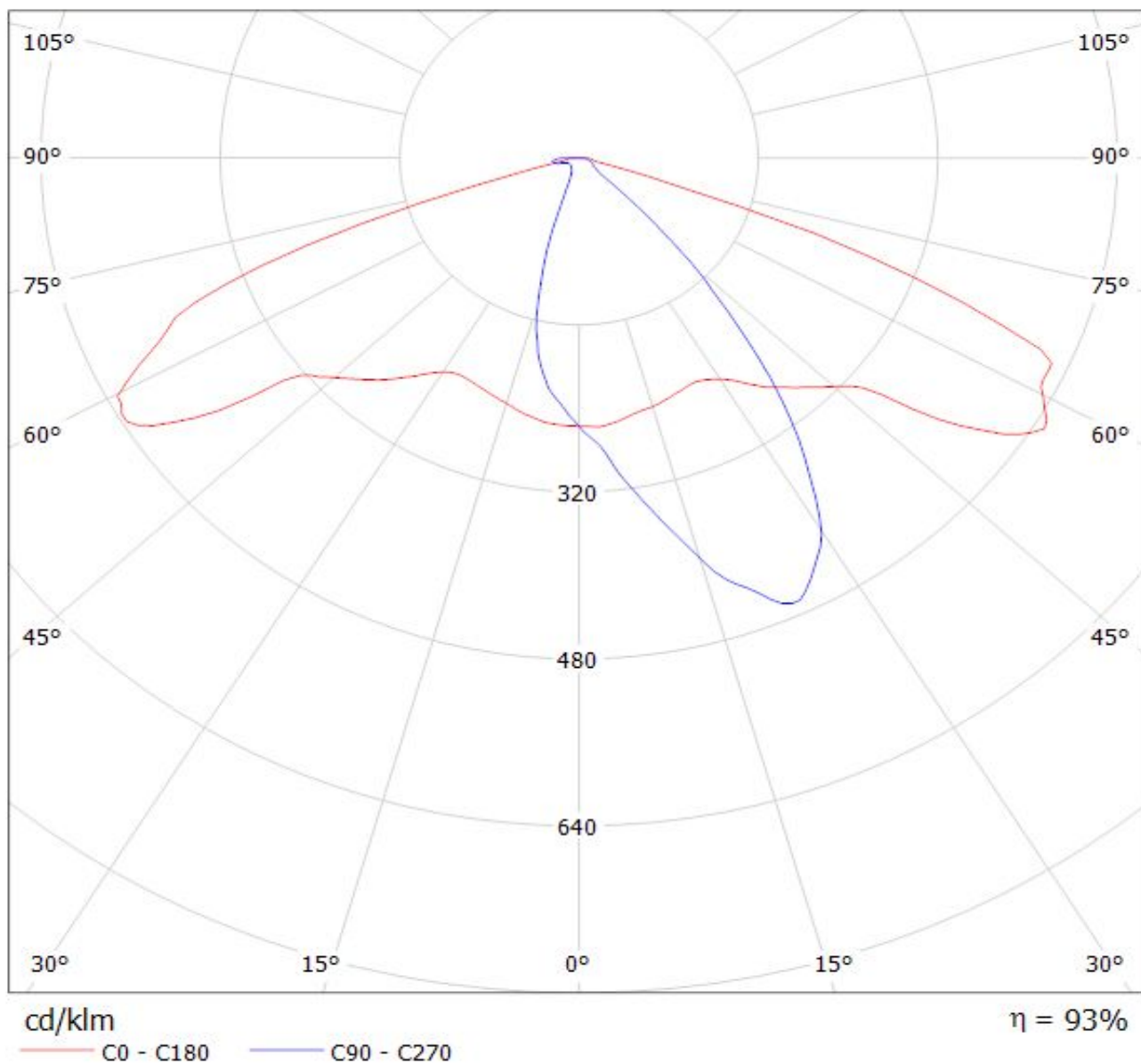


Luminaire: LEDiL Oy CA12889_STRADA-SQ-T-DWC_(NS9x383) Eff. 89,9%
Lamps: 1 x Nichia NS9x383 (105lm@250mA)



cd/klm η = 90%
— C0 - C180 — C90 - C270

Luminaire: LEDiL Oy CA13119_STRADA-SQ-A-T_(NS9x383) Eff. 93,3%
Lamps: 1 x Nichia NS9x383 (105lm@250mA)



Luminaire: LEDiL Oy CA12891_STRADA-SQ-VSM_(NS9x383) Eff. 92,6%
Lamps: 1 x Nichia NS9x383 (105lm@250mA)

