

Main switch 4P, mounting, padlock



Powering Business Worldwide™

Part no. DMM-125/4/I5/P-B
Article no. 172852
Catalog No. DMM-125/4/I5/P-B

Delivery programme

Product range
 Basic function

Part group reference
 Protection type
 Emergency switching OFF/ emergency STOP

Design

Locking facility

Contacts

Main circuits
 Poles [M]



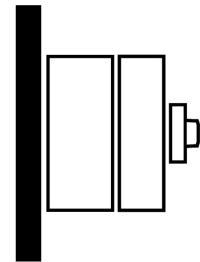
Contact sequence

Rated uninterrupted current

I_u

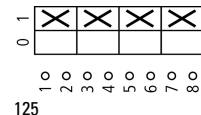
A

Switch-disconnectors Dumeco
 Main switches
 Maintenance switches
 Manual override switches
 DMM
 IP20
 without emergency switching off/
 emergency stop function
 in CI-K5 enclosure
 with blue knob
 main switch surface mounting



1 padlock, \varnothing 5 mm
 auxiliary contact fitted by user

4



General

Standards

Certifications

Ambient temperature

Operation

Storage

Overvoltage category/pollution degree

Rated impulse withstand voltage

Rated insulation voltage

Mounting position

Protection against direct contact when actuated from front (EN 50274)

		IEC/EN 60947, VDE 0660, IEC/EN 60204, CSA Switch-disconnector according to IEC/EN 60947-3
		CE, RoHs, KEMA, GOST-R, Lloyds
	°C	
θ	°C	-25 - +55
θ	°C	-30 - +80
		III/3
U_{imp}	V AC	6000
U_i	V AC	1000
		As required
		Finger and back-of-hand proof

Contacts

Mechanical variables

Main circuits
 Poles

Electrical characteristics

Rated operational voltage

Rated uninterrupted current

Note on rated uninterrupted current I_u

Short-circuit rating

fuse

Rated conditional short-circuit current

Breaking current

max. let-through energy

			4
U_e	V AC		690
I_u	A		125
			Rated uninterrupted current I_u is specified for max. cross-section.
			125
I_q	kA		50
	kA		14.5
	kA ² s		140

Rated short-time withstand current (1 s current)

Note on rated short-time withstand current I_{cw}

Switching capacity

Bemessungsausschaltvermögen $\cos \varphi$ nach IEC 60947-3

400/415 V

500 V

690 V

Safe isolation to EN 61140

Current heat loss per contact at I_e

Lifespan, mechanical

AC

AC-22A

Bemessungsbetriebsstrom Lastschalter

400 V 415 V

500 V

690 V

AC-23A

Bemessungsbetriebsstrom Lastschalter

400 V 415 V

500 V

690 V

Bemessungsbetriebsleistung AC-23A, 50 - 60 Hz

400 V 415 V

500 V

690 V

Terminal capacities

Flexible with ferrules to DIN 46228

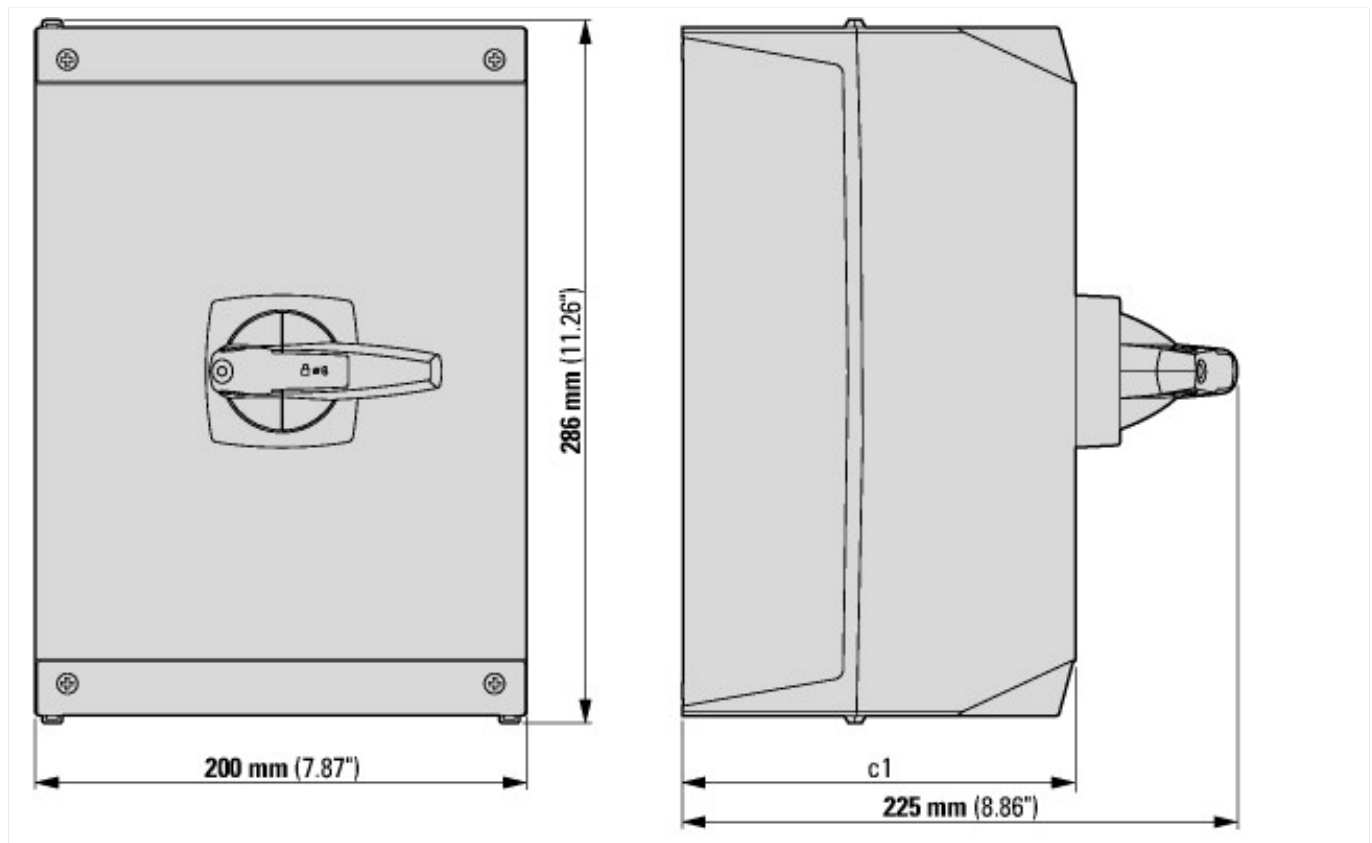
flexible

Max. tightening torque

I_{cw}	A_{rms}	2500
		Current for a time of 1 second
	A	
	A	480
	A	520
	A	352
	W	4.5
Operations		10000
I_e	A	125
I_e	A	125
I_e	A	125
I_e	A	60
I_e	A	65
I_e	A	44
P	kW	
P	kW	30
P	kW	45
P	kW	40

	mm^2	
	mm^2	6 - 70
	Nm	7

Dimensions



Additional product information (links)

http://de.ecat.moeller.net/flip-cat/?edition=HPLTEv1&startpage=4.2
http://de.ecat.moeller.net/flip-cat/?edition=HPLTEv1&startpage=4.4
http://de.ecat.moeller.net/flip-cat/?edition=HPLTEv1&startpage=4.6
http://de.ecat.moeller.net/flip-cat/?edition=HPLTEv1&startpage=4.8
http://de.ecat.moeller.net/flip-cat/?edition=HPLTEv1&startpage=4.8