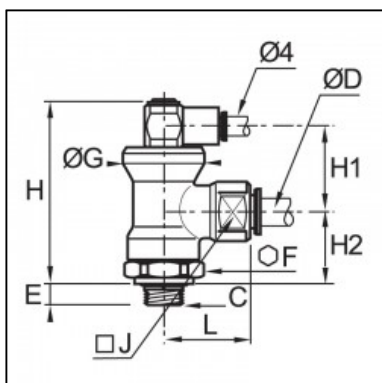


7880 06 13



Description

Blocking fittings, Blocking fitting, 6 mm - G1/4

Blocking fitting with push-in connection, G-thread:

- Fully orientable in order to facilitate system design and connection
- Body in treated brass
- Optimum flow capacity in small spaces
- excellent resistance to aggressive environments (saline atmosphere and sparks).

Details

Maximum working pressure in bar	10
Material seal	NBR
Material body	Brass nickel plated
Material threaded fitting	Brass nickel plated
Material toothed washer	Stainless steel
min. temperature in °C	-20
max. temperature in °C	70
RoHS compliant	Yes
Weight in kg	0.1300

Dimensions

ØD	6 mm
C	G1/4"
E	6,5
F	21
G	24
H	53
H1	24,5
H2	21
J	17
L	28

More Details:

