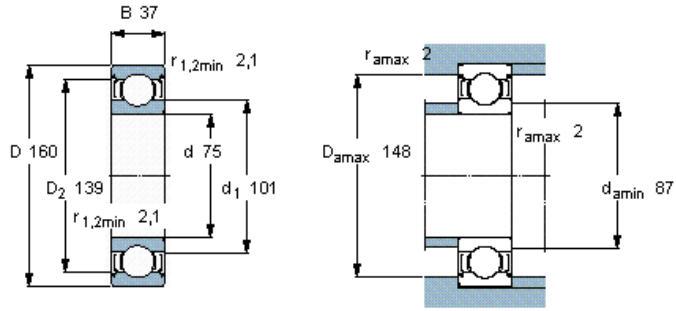




United... Products Bearings, units and... Ball bearings Deep groove ball bearings SKF Energy Efficient (E2) deep groove ball bearings
 Deep groove ball bearings, single row, SKF Energy Efficient (E2) bearings

Principal dimensions			Basic load ratings		Speed ratings	Limiting speed	Designation
d	D	B	dynamic C	static C ₀	Reference speed		
mm			kN		r/min		-
75	160	37	114	76,5	10000	4500	E2.6315-2Z/C3



Calculation factors

k_r 0,03
 f_0 13