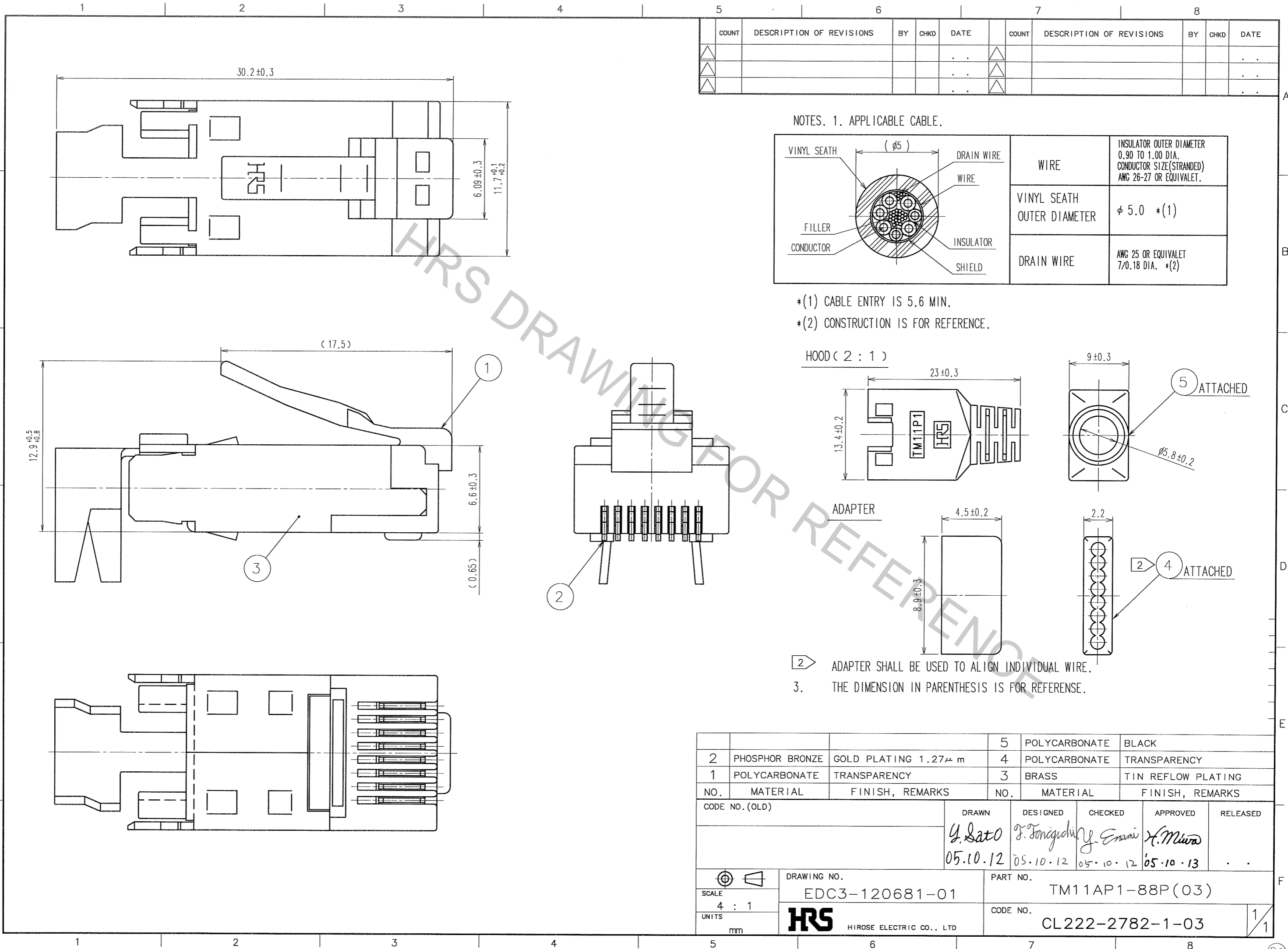


Jun.1.2018 Copyright 2018 HIROSE ELECTRIC CO., LTD. All Rights Reserved.  
 In case of consideration for using Automotive equipment /  
 device which demand high reliability, kindly contact our sales window correspondents.

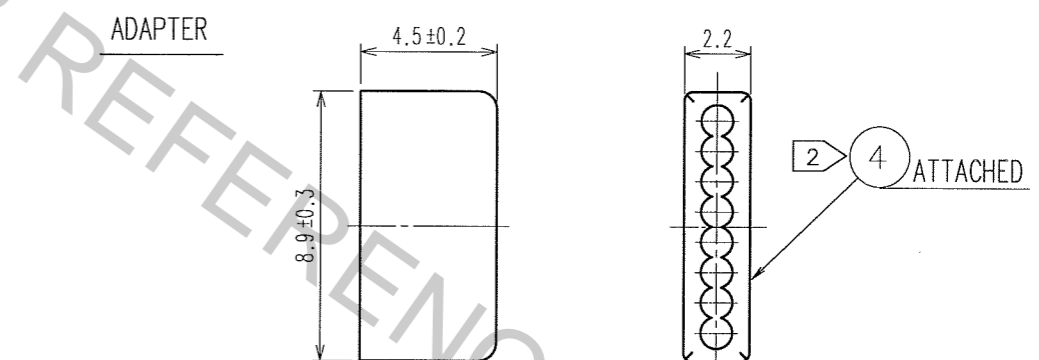
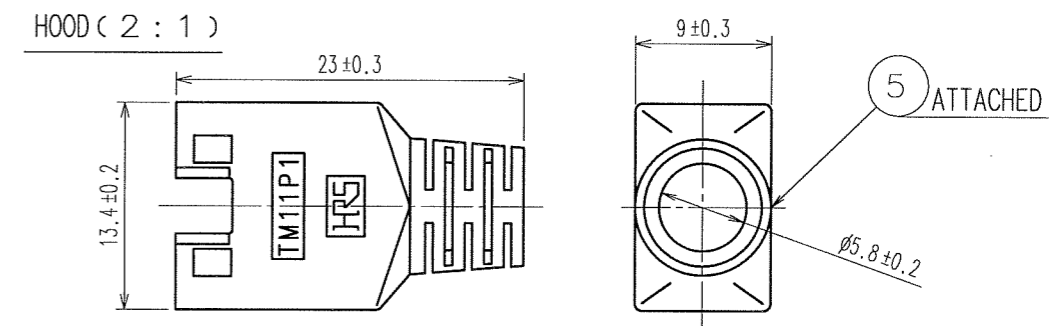


COUNT	DESCRIPTION OF REVISIONS	BY	CHKD	DATE	COUNT	DESCRIPTION OF REVISIONS	BY	CHKD	DATE
△					△				
△					△				
△					△				

NOTES. 1. APPLICABLE CABLE.

	WIRE	INSULATOR OUTER DIAMETER 0.90 TO 1.00 DIA. CONDUCTOR SIZE (STRANDED) AWG 26-27 OR EQUIVALET.
	VINYL SEATH OUTER DIAMETER	φ 5.0 *(1)
	DRAIN WIRE	AWG 25 OR EQUIVALET 7/0.18 DIA. *(2)

- \*(1) CABLE ENTRY IS 5.6 MIN.
- \*(2) CONSTRUCTION IS FOR REFERENCE.



- 2 ADAPTER SHALL BE USED TO ALIGN INDIVIDUAL WIRE.
- 3. THE DIMENSION IN PARENTHESIS IS FOR REFERENCE.

2	PHOSPHOR BRONZE	GOLD PLATING 1.27 μ m	5	POLYCARBONATE	BLACK
1	POLYCARBONATE	TRANSPARENCY	4	POLYCARBONATE	TRANSPARENCY
			3	BRASS	TIN REFLOW PLATING
NO.	MATERIAL	FINISH, REMARKS	NO.	MATERIAL	FINISH, REMARKS
CODE NO. (OLD)			DRAWN	DESIGNED	CHECKED
			Y. Sato	T. Sonoguchi	Y. Enami
			05.10.12	05.10.12	05.10.12
				APPROVED	RELEASED
				X. Mura	
DRAWING NO.			PART NO.		
EDC3-120681-01			TM11AP1-88P(03)		
SCALE			CODE NO.		
4 : 1			CL222-2782-1-03		
UNITS			1/1		
mm			HRS HIROSE ELECTRIC CO., LTD		

TO
Q1