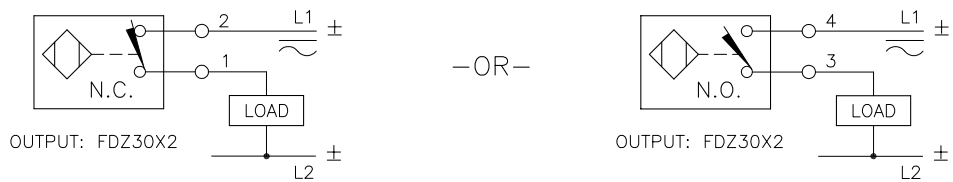
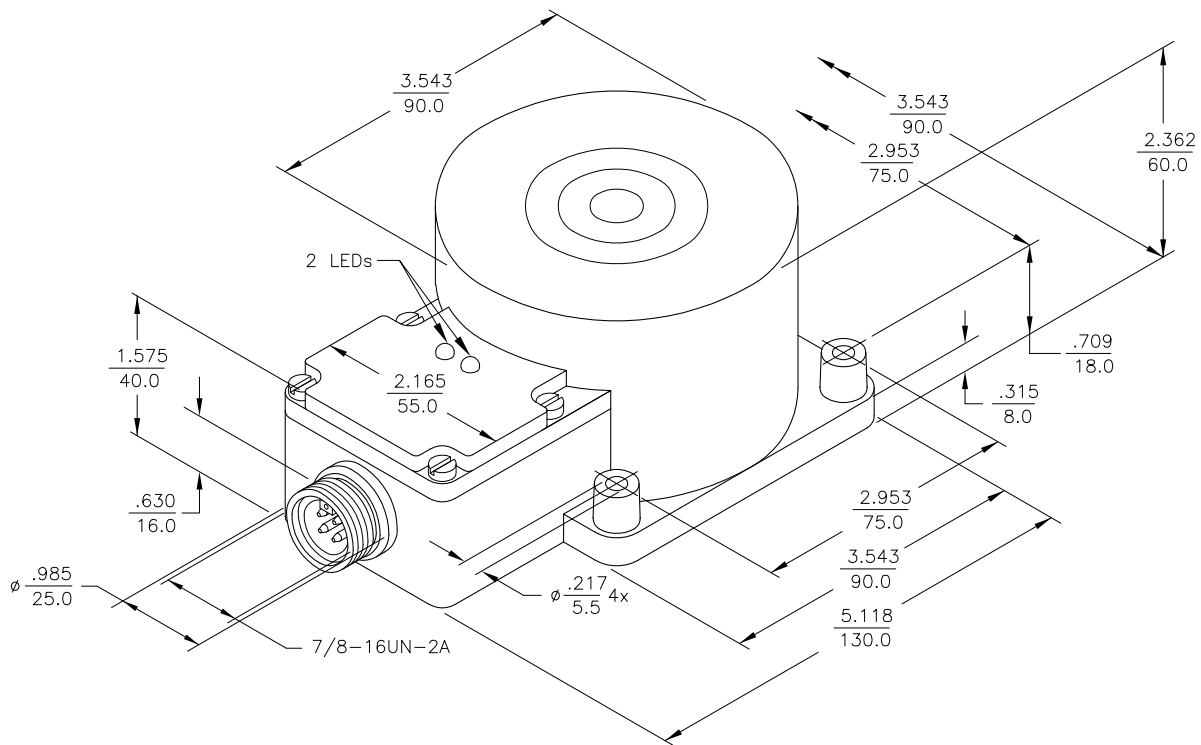


WIRING DIAGRAMS



SHORT-CIRCUIT AND OVERLOAD PROTECTED



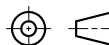
SPECIFICATIONS

OPERATING VOLTAGE	20-250 VAC/DC
LINE FREQUENCY	40-60 Hz
DIFFERENTIAL TRAVEL (HYSTERESIS)	3-15% (5% TYPICAL)
VOLTAGE DROP ACROSS CONDUCTING SENSOR	≤6.0 V at 400 mA
OUTPUT FUNCTION	CONNECTION PROGRAMMABLE NORMALLY OPEN OR NORMALLY CLOSED
SHORT-CIRCUIT PROTECTED	YES
TRIGGER CURRENT FOR OVERLOAD PROTECTION	≥500 mA
CONTINUOUS LOAD CURRENT	≤400 mA
OFF-STATE (LEAKAGE) CURRENT	≤1.7 mA
MINIMUM LOAD CURRENT	≥3.0 mA
INRUSH CURRENT	≤3.0 A(≤20ms/5 Hz)
TIME DELAY BEFORE AVAILABILITY	≤20 ms
POWER-ON EFFECT PROTECTION	INCORPORATED
PROTECTION AGAINST TRANSIENTS	5 kV, 10ms, 10 kΩ
OPERATING TEMPERATURE	-25°C to +70°C (-13°F to +158°F)
ENCLOSURE	MEETS NEMA 1, 3, 4, 6, 13 AND IEC IP67
SHOCK	30 g, 11 ms
VIBRATION	55 Hz, 1 mm AMPLITUDE (IN ALL 3 PLANES)
LED FUNCTION	GREEN: = POWER ON GREEN FLASHING: = SHORT-CIRCUIT WARNING RED: = OUTPUT ENERGIZED
SENSING RANGE	60 mm = 2.362" (NOMINAL)
SWITCHING FREQUENCY	100 Hz
REPEATABILITY	≤2% of RATED OPERATING DISTANCE
EMBEDDABLE (SHIELDED)	NO
MATING PLUGS/CABLES	3-PIN "MINIFAST" CONSTRUCTION

RELATED DOCUMENTS

- 1.
- 2.
- 3.
- 4.

3RD ANGLE PROJECTION



THIS DRAWING IS PROPERTY OF TURCK INC. USE OF THIS DOCUMENT WITHOUT WRITTEN PERMISSION IS PROHIBITED.

**TURCK INC**  
High Technology Sensors and Automation Controls

3000 CAMPUS DRIVE  
MINNEAPOLIS, MN 55441  
1-800-544-7769  
(763) 553-7300  
(763) 553-0708 fax  
turck.com

MATERIAL  
PBT-GF30-VO  
PLASTIC

ALL DIMENSIONS DISPLAYED ON THIS DRAWING ARE FOR REFERENCE ONLY

FINISH

CONTACT TURCK FOR MORE INFORMATION

DRFT GMB DATE 5/3/88  
DSGN SCALE NONE

UNIT OF MEASUREMENT  
**INCH [ MILLIMETER ]**

DO NOT SCALE THIS DRAWING

DESCRIPTION  
Ni60-K90SR-FDZ30X2-B1131

IDENTIFICATION NO.  
M4240291

REV  
B

B	UPDATE TO CURRENT TITLE BLOCK	RDS	09/12/02	5504
REV	DESCRIPTION	BY	DATE	ECO NO.