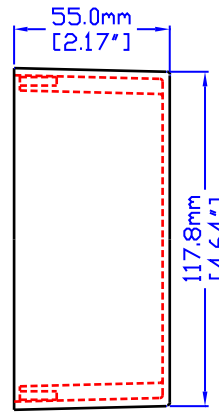
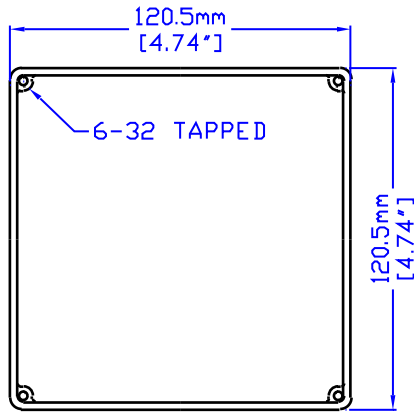


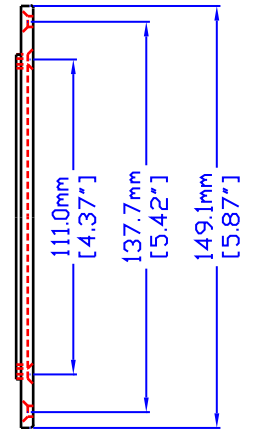
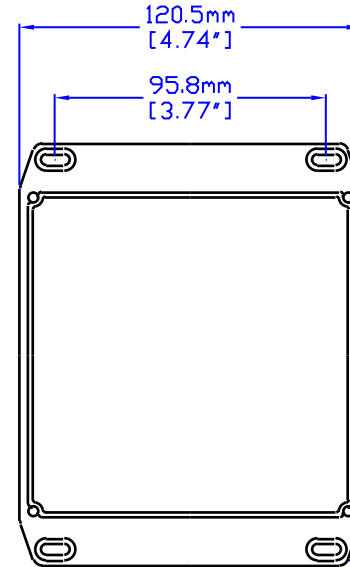
NOTES

MATERIAL: -DIECAST ALUMINUM ALLOY,  
-FOUR 6-32 Phillips Screws

VIEW OF BOX (LID REMOVED)



VIEW INSIDE LID



3.8 X 10mm  
(.15 X .40")  
SLOTS

NOTE:  
FOR DETAIL DIMENSIONING  
REFER TO DRAWING  
# 1590U

1590UFL

1590U WITH SPECIAL FLANGED LID.  
AVAILABLE FROM STOCK.

WATERPROOFING KIT IS AVAILABLE  
PART # 1590UG.  
THE GASKET KIT WILL AFFORD PROTECTION  
AGAINST LIQUID TO NEMA 4 AND IP65 LEVELS.

THIS ENCLOSURE IS ALSO AVAILABLE IN BLACK  
AND GRAY TEXTURE FINISH.



HAMMOND MANUFACTURING

1590UFL

CANADA - PH (519) 886 7170 - FAX (519) 886 8311  
U.S.A. - PH (716) 631 5700 - FAX (716) 631 1156