

Craig & Derricott has been associated with the design and manufacture of Ex products for more than 30 years.

The current product range has been developed to meet the technical requirements of today's market and a great deal of the design consideration has been given to bringing a quality product to the market at a competitive price.

General Description

The 'EXZ1' range of enclosed switch-disconnectors are supplied in 'EX e' enclosures manufactured from glass reinforced polyester sealing to IP65 ensuring the product will withstand being installed in the harshest of industrial environments.

The operating handles are available in Red/Yellow or Black and can be padlocked in the 'Off' position. All lids are mechanically interlocked with the isolating switch and are removable in the 'On' position only.

Available in ratings from 20A - 150A the isolating switch interiors are supplied in either 3 or 4 pole formats complete with 1 N/O (Early break) & 1 N/C (Late make) auxiliary contacts.

Catalogue Numbers

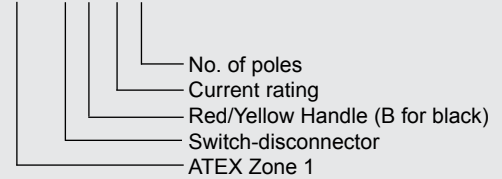
Rating	Format	Handle Colour	Cat. No.	Enclosure Size
20A	3P+Aux	Red/Yellow	EXZ1SDR0203	A
		Black	EXZ1SDB0203	
	4P+Aux	Red/Yellow	EXZ1SDR0204	
		Black	EXZ1SDB0204	
32A	3P+Aux	Red/Yellow	EXZ1SDR0323	B
		Black	EXZ1SDB0323	
	4P+Aux	Red/Yellow	EXZ1SDR0324	
		Black	EXZ1SDB0324	
63A	3P+Aux	Red/Yellow	EXZ1SDR0633	C
		Black	EXZ1SDB0633	
	4P+Aux	Red/Yellow	EXZ1SDR0634	
		Black	EXZ1SDB0634	
150A	3P+Aux	Red/Yellow	EXZ1SDR1503	D
		Black	EXZ1SDB1503	

Aux - 1 N/O (Early break) & 1 N/C (Late make)



Catalogue No. Key

ExZ1SDR0204



Certification

All items have been approved with 'ATEX' (Sira 13ATEX3205X) and 'IECEX' (IECEX SIR 13.0076X) certificates for use in Zones 1 & 2.

The equipment is designed and tested to comply with the following:-

- EN 60079-0 Electrical Atmospheres, Part 0 : Equipment - General requirements.
- EN 60079-1 Electrical Atmospheres, Part 1 : Equipment protection by flameproof enclosures 'd'.
- EN 60079-7 Electrical Atmospheres, Part 7 : Equipment protection by increased safety 'e'.
- EN 60947-1 Low-Voltage switch gear and controlgear - Part 1: general rules.
- EN 60947-3 Low-Voltage switch gear and controlgear - Part 3: switches, disconnectors, switch-disconnectors and fuse combination units.
- EN 60529 Degrees of protection provided by enclosures. (IP Code)



Interior view of a typical 20A assembly
(Glands not supplied)

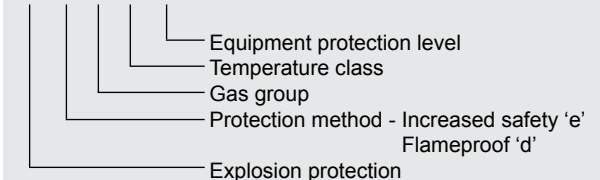
Equipment Marking

- 20A II 2 G Ex e d IIC T4 Gb - (-40°C ≤ Ta ≤ +40°C)
- 32A II 2 G Ex e d IIC T6 Gb - (-40°C ≤ Ta ≤ +40°C)
- 63A II 2 G Ex e d IIC T6 Gb - (-40°C ≤ Ta ≤ +40°C)
- 150A II 2 G Ex e d IIC T5 Gb - (-40°C ≤ Ta ≤ +30°C)

Key to Marking

- Specific marking for Explosion protection
- II** Equipment group
- 2** Equipment category
- G** Environment e.g. Gas

Ex e d IIC T6 Gb



Technical Specification - Switch-Disconnecter Main Contacts

Application	Sym.	Unit	Category	20A	32A	63A	150A
Rated thermal current	I_{the}	A		20	32	63	150
Rated insulation voltage	U_i	V		690	690	690	690
Rated current	-	A	AC3 (230V)	20	32	63	150
			AC3 (400V)	20	32	63	150
			AC3 (500V)	20	32	63	150
			AC3 (690V)	16	32	63	125
Terminal Capacity			-	2x6mm ²	2x16mm ²	2x35mm ²	2x95mm ²
Tightening Torque (Nm)			-	1.2	2.5	3	6
Terminal Type	-						

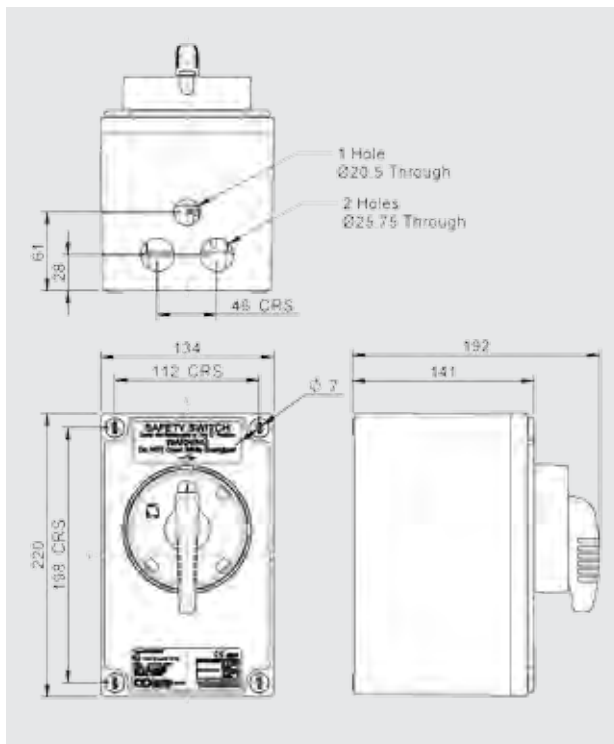
Technical Specification - Auxiliary Contacts

Application	Sym.	Unit	Category	AUX
Rated thermal current	I_{the}	A		10
Rated insulation voltage	U_i	V		690
Rated current	-	A	AC15 (250V)	10
			AC15 (400V)	8
			DC13 (24V)	8
			DC13 (250V)	1
Terminal Capacity			-	2x6mm ²
Tightening Torque (Nm)			-	1.2
Terminal Type	-			

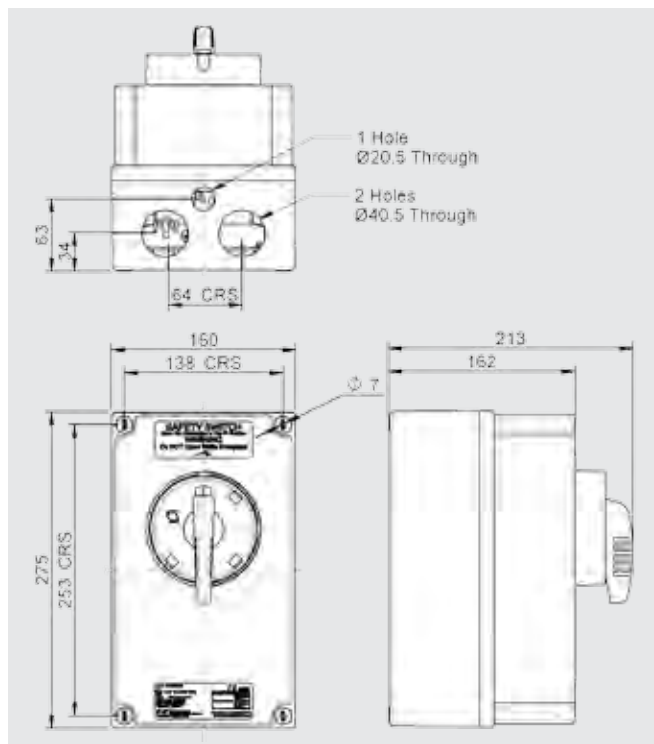


Exterior view of a typical 20A assembly
(Glands not supplied)

Dimensions



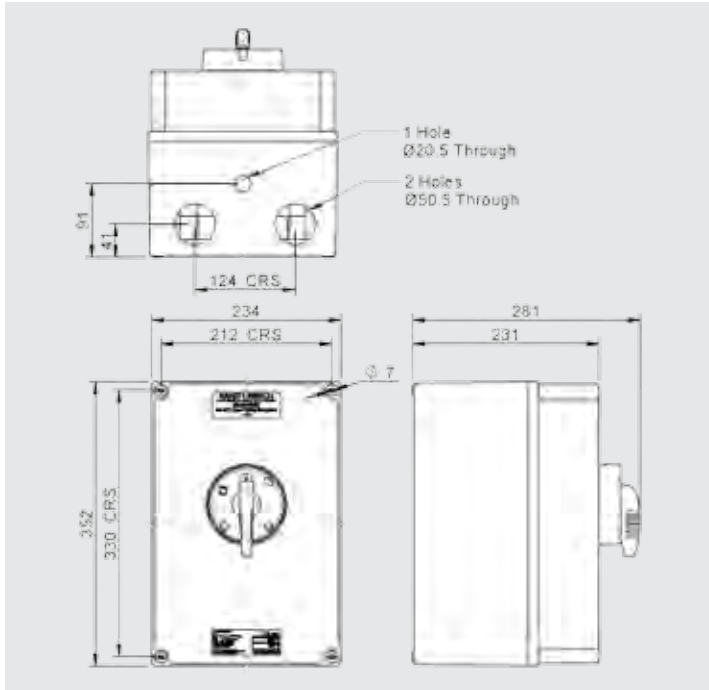
Enclosure A



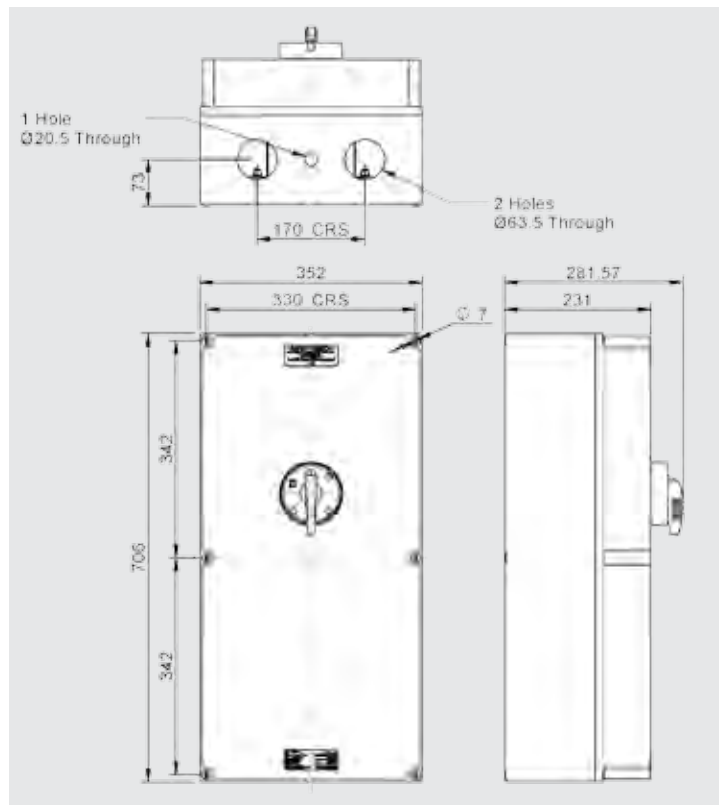
Enclosure B

Dimensions Contd.

ATEX Zone 1 & 2 Isolators



Enclosure C



Enclosure D

