

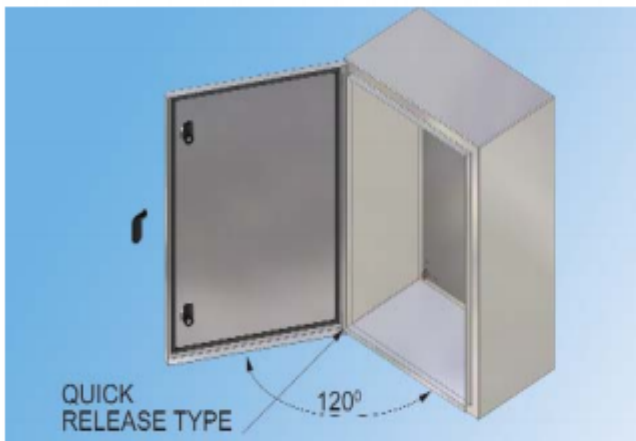


ENGLISH

Datasheet

IP66 Wall Box with Plain Door, 304 Stainless Steel, Unpainted, 300 x 250 x 150mm

RS Stock number [749-1822](#)



STAINLESS STEEL
BOX IP66

EDELSTAHL GEHÄUSE
BOX IP66

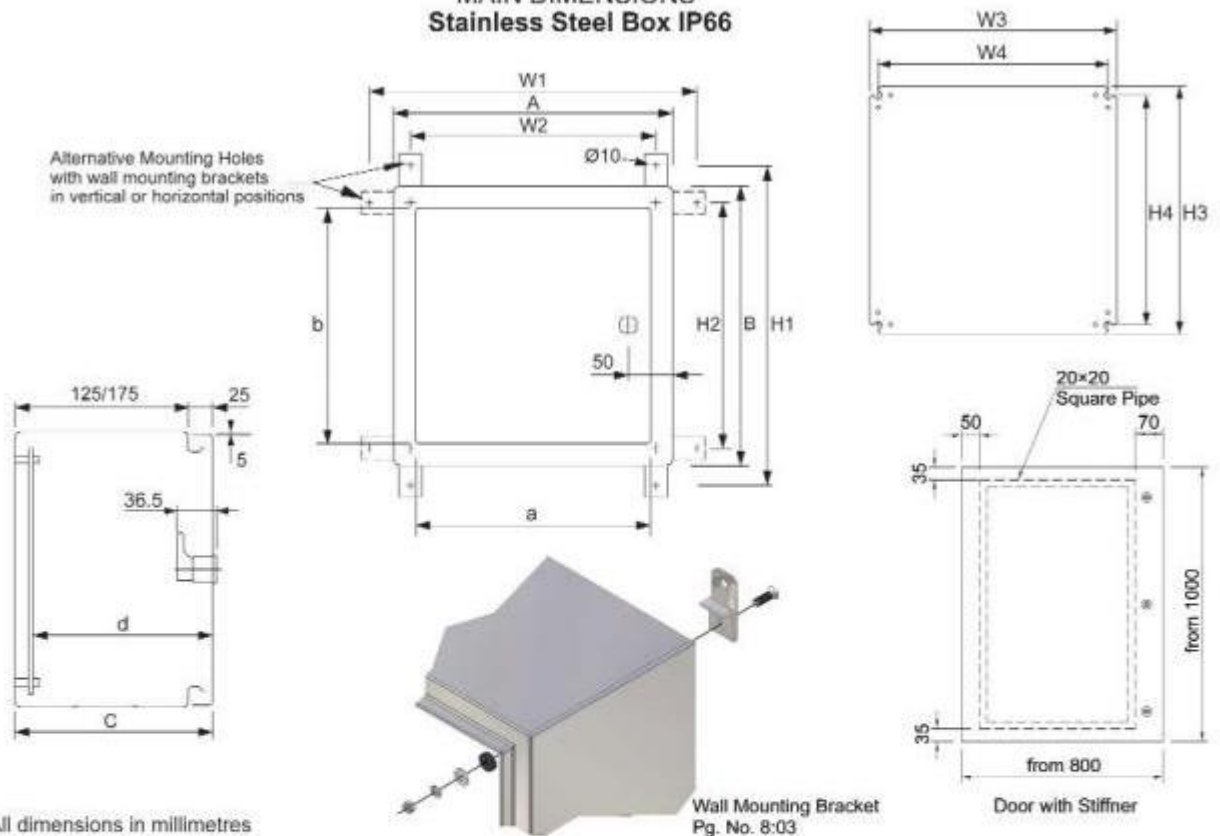
RUSTFRI
BOX IP66

Door sizes above 800×1000 supplied with Stiffeners
All sizes might not be available with your dealer

TYPE	SIZE (W×H×D)	LOCKS	WEIGHT kg	QTY	ORDER No. AISI 304	ORDER No. AISI 316
SBOX 2.2-150 V2	200 × 200 × 150	1	4.56	1	63500	64000
SBOX 2.5.3-150 V2	250 × 300 × 150	1	6.60	1	63510	64010
SBOX 3.3-150 V2	300 × 300 × 150	1	7.42	1	63515	64015
SBOX 4.3-150 V2	400 × 300 × 150	1	9.06	1	63545	64045
SBOX 4.4-150 V2	400 × 400 × 150	2	11.13	1	63555	64055
SBOX 4.4-200 V2	400 × 400 × 200	2	13.13	1	63560	64060
SBOX 4.5-250 V2	400 × 500 × 250	2	14.12	1	63580	64080
SBOX 8.8-300 V2	800 × 800 × 300	3	39.30	1	63855	64355

INSTRUCTIONS

MAIN DIMENSIONS
Stainless Steel Box IP66



All dimensions in millimetres

TYPE	OVERALL SIZE			OPENING DEPTH			MOUNTING HOLE POSITIONS				MOUNTING PLATE HOLE SIZE				LOCKS	WEIGHT kg	ORDER No. AISI 304	ORDER No. AISI 316
	A	B	C	a	b	d	W1	W2	H1	H2	W3	H3	W4	H4				
SBOX 2.2-150 V2	200	200	150	150	150	135	240	160	240	160	148	148	125	125	1	4.56	63500	64000
SBOX 2.5.3-150 V2	250	300	150	200	250	135	290	210	340	260	198	248	175	225	1	6.60	63510	64010
SBOX 3.3-150 V2	300	300	150	250	250	135	340	260	340	260	248	248	225	225	1	7.42	63515	64015
SBOX 4.3-150 V2	400	300	150	350	250	135	440	360	340	260	348	248	325	225	1	9.06	63545	64045
SBOX 4.4-150 V2	400	400	150	350	350	135	440	360	440	360	348	348	325	325	2	11.13	63555	64055
SBOX 4.4-200 V2	400	400	200	350	350	185	440	360	440	360	348	348	325	325	2	13.13	63560	64060
SBOX 4.5-250 V2	400	500	250	350	450	235	440	360	540	460	348	448	325	425	2	14.12	63580	64080
SBOX 8.8-300 V2	800	800	300	750	750	285	840	760	840	760	748	748	725	725	3	39.30	63855	64355