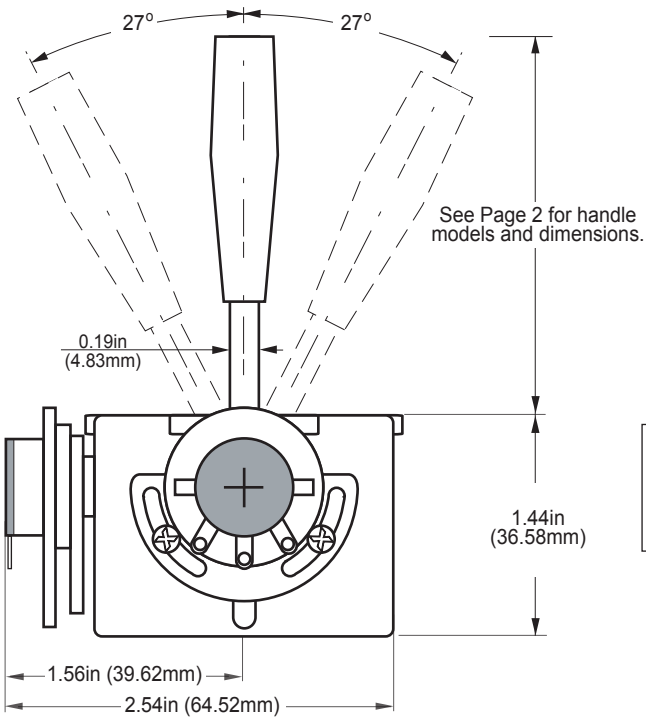
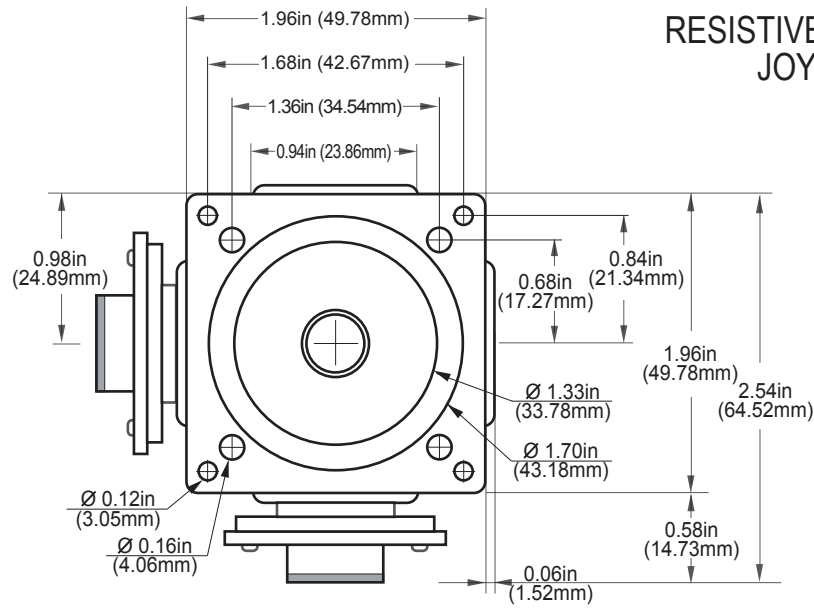
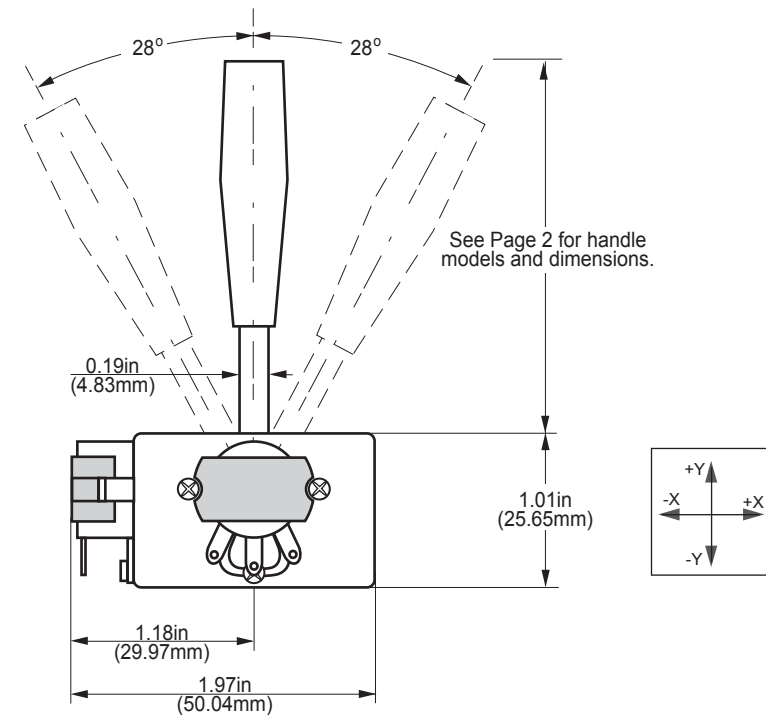
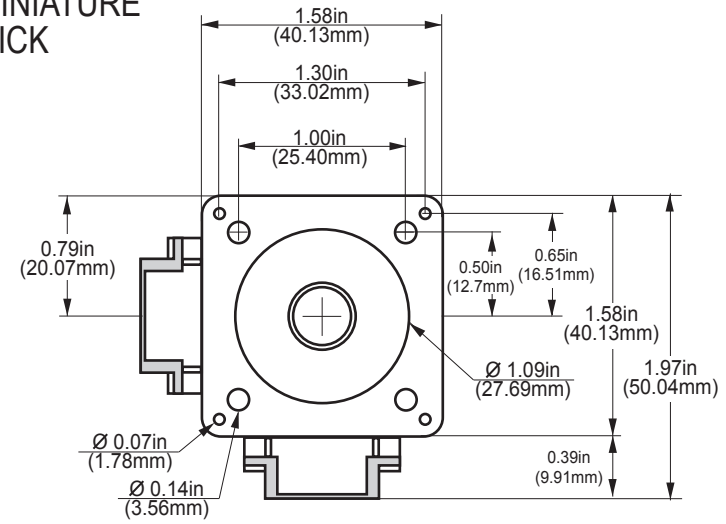


RESISTIVE STANDARD JOYSTICK

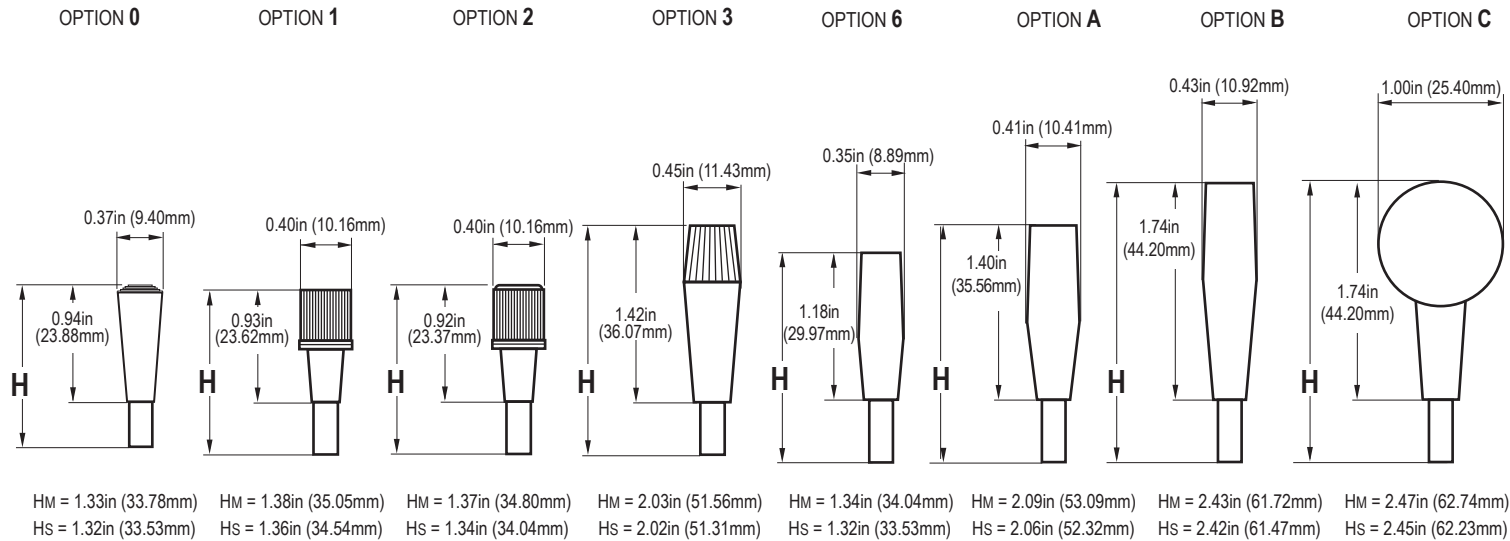


RESISTIVE MINIATURE JOYSTICK

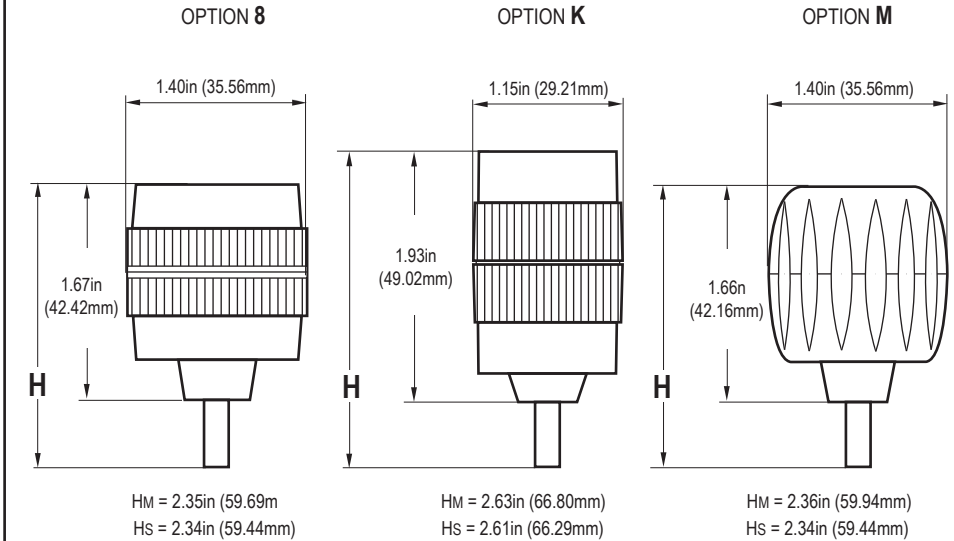


RESISTIVE JOYSTICKS HANDLES

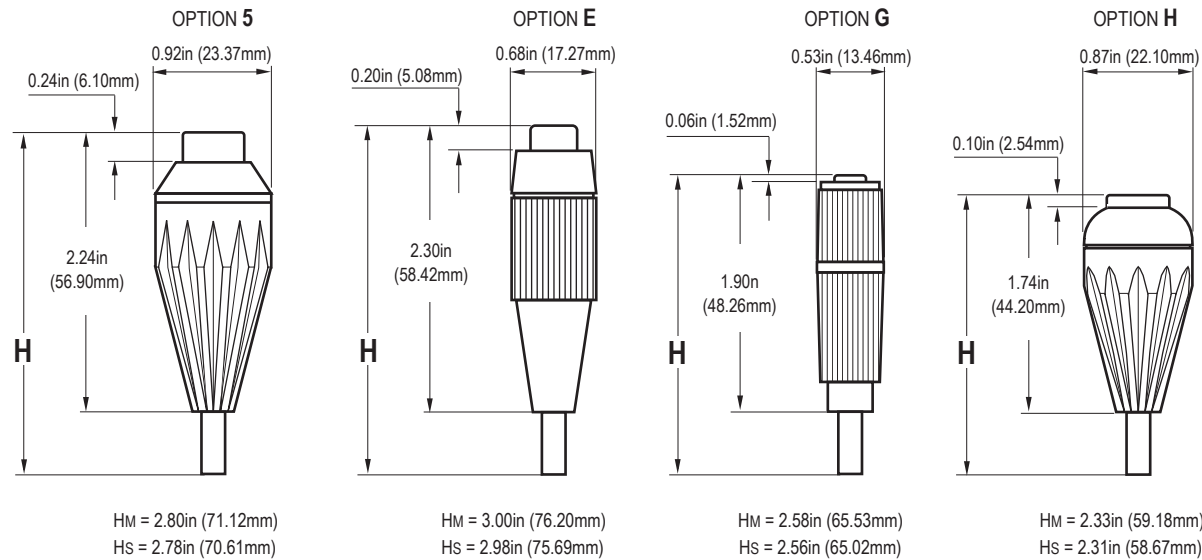
MODEL 100



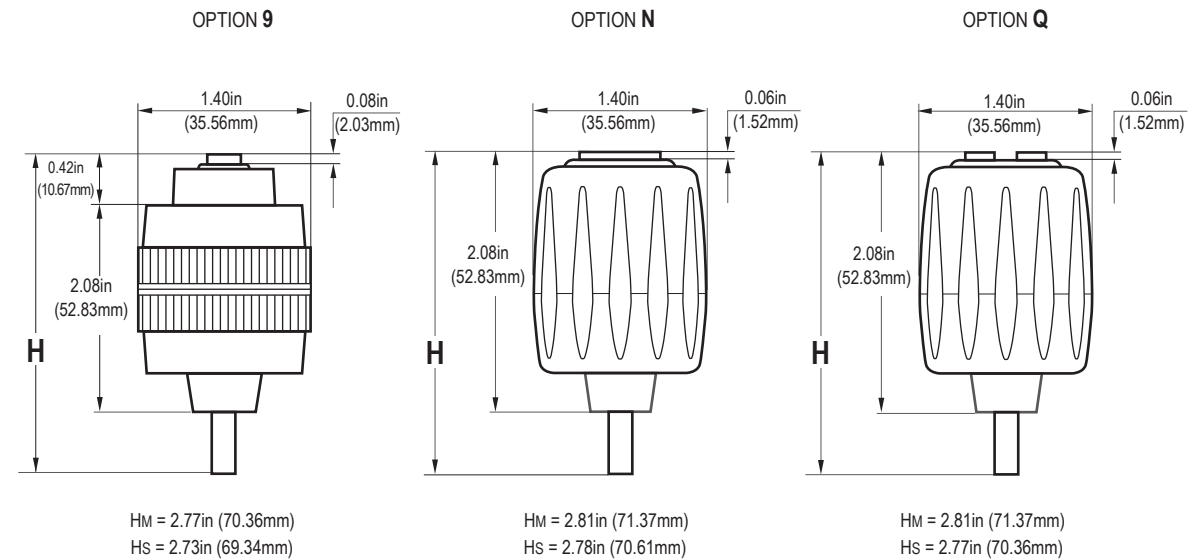
MODEL 300



MODEL 200



MODEL 400



NOTES: HM = height above the housing dimension (H) for **Miniature** Joysticks
Hs = height above the housing dimension (H) for **Standard** Joysticks
The drawings are not to scale, but are proportional.